

**Series 8, Built-in Fully Automatic Coffee Machine, Stainless steel CTL636ES1**



9 x assembly screws, 1 x scoop, 1 x test strip, 1 x milk container (insulated), 1 x connection hose for milk frother, 1 x milk pipe

- TCZ7003 Accessories small appliances
- TCZ8001A Cleaning tablets
- TCZ8002A Descaling tablets
- TCZ8004A Care set espresso
- TCZ8009N insulated milk container
- Y988081012 :
- Y988081300 :
- Y988081302 :
- Y988081303 :

**The built-in coffee center with OneTouch Function: offers great variety and highest comfort.**

- **Ceramic grinder:** Lasting enjoyment thanks to a high-quality grinder made of wear-resistant ceramic.
- **Intelligent heater inside:** The SensoFlow System guarantees the right temperature and best aroma.
- **OneTouch DoubleCup:** Your choice of espresso or milk drinks with a click – even two cups at once.

Built-in / Free-standing: ..... Built-in  
 Frothing nozzle: ..... No  
 Display: ..... No  
 Water protection system: ..... no  
 Portion sizes: ..... All cups  
 Dimensions (HxWxD): ..... 455 x 594 x 375 mm  
 Dimensions of the packed product (HxWxD): ..... 550 x 480 x 670 mm  
 Min. required niche size for installation (HxWxD): .... 449 x 558 x 356 mm  
 Hot water spout: ..... No  
 Standby function: ..... Yes  
 Simultaneous preparation of 2 cups: ..... Yes  
 Included accessories: 9 x assembly screws, 1 x scoop, 1 x test strip, 1 x milk container (insulated), 1 x connection hose for milk frother, 1 x milk pipe  
 Optional accessories: .... TCZ7003, TCZ8001A, TCZ8002A, TCZ8004A, TCZ8009N, Y988081012, Y988081300, Y988081302, Y988081303  
 Fuse protection: ..... 10 A  
 Voltage: ..... 220-240 V  
 Frequency: ..... 50/60 Hz  
 Plug type: ..... GARDY plug w/ earthing  
 Product group: ..... Built-in coffee machines  
 Product name/family: ..... Built-in coffee machines  
 Product name / Commercial code: ..... CTL636ES1  
 Typology: ..... Fully automatic  
 Length electrical supply cord: ..... 170.0 cm  
 Maximum height for installation: ..... 449 mm  
 Dimensions (HxWxD): ..... 455 x 594 x 375 mm  
 Dimensions of the packed product (HxWxD): ..... 550 x 480 x 670 mm  
 Net weight: ..... 44.000 lbs  
 Net weight: ..... 19.8 kg  
 Gross weight: ..... 49.000 lbs  
 Gross weight: ..... 22.3 kg  
 Capacity water container: ..... 2.4 l



## Series 8, Built-in Fully Automatic Coffee Machine, Stainless steel CTL636ES1

### The built-in coffee center with OneTouch Function: offers great variety and highest comfort.

#### Flavour

- Innovative heating system "senso flow system"
- One-touch preparation: Ristretto, Espresso, Espresso macchiato, Coffee, Cappuccino, Latte macchiato, Caffé Latte at the touch of a button
- AromaDouble Shot - Extra strong coffee without compromise in aroma
- Beverage temperature adjustable individually: Coffee: 3 grades, Hot water: 4 grades
- optional Brita Intenza water filter: Reduces the lime content of water and filters substances affecting smell and taste

#### Convenience

- TFT display with interactive menu
- MyCoffee: Save 8 favourite beverages with individual names and adjustable mixing ratio of milk and espresso
- 20-250 ml
- Coffee outlet yesheight-adjustable: Up to 15 cm (max) high Latte Macchiato glasses fit underneath
- Get two cups of any coffee or milk speciality at the touch of a button with oneTouch DoubleCup.
- Removable 2.4 litre water tank
- early warning when bean container or water tank are close to empty
- Flexible milk solution: Decide for yourself if you prefer connecting the yes milk container or using any other container, e.g. a milk carton
- Short user manual always at hand inside appliance

#### Performance

- SilentCeram Drive: Quiet premium grinder made from non-wearing ceramic
- CoffeeSensor Pro: The grinding unit automatically adjusts to bean variety
- One-touch coffee milk specialities with especially fine-pored milk froth thanks to an innovative milk frother
- In addition to beverages also available separately: milk foam, warm milk, hot water
- Reduced heat-up time: Fast first cup
- Water pump with 19 bar pressure
- Separate container for ground coffee, e.g. caffeine-free coffee
- 15.000 cup warranty: Consistently high appliance quality from the first cup to the 15,000th (valid for non-commercial use within 24 months)

#### Hygiene

- Removable brewing unit: Easy and hygienic cleaning under running water
- Automatic steam cleaning after every drink with autoMilk Clean.
- Milk frother removable and dishwasher-proof
- SinglePortion Cleaning: Complete emptying of all pipes after each brewing process

- Automatic rinsing program when switch-off, switch-on
- Drip tray and coffee grounds container removable and dishwasher-proof
- Calc'nClean: Automatic cleaning and descaling programme
- Reminds in time of water filter change, descaling, cleaningDecalcification

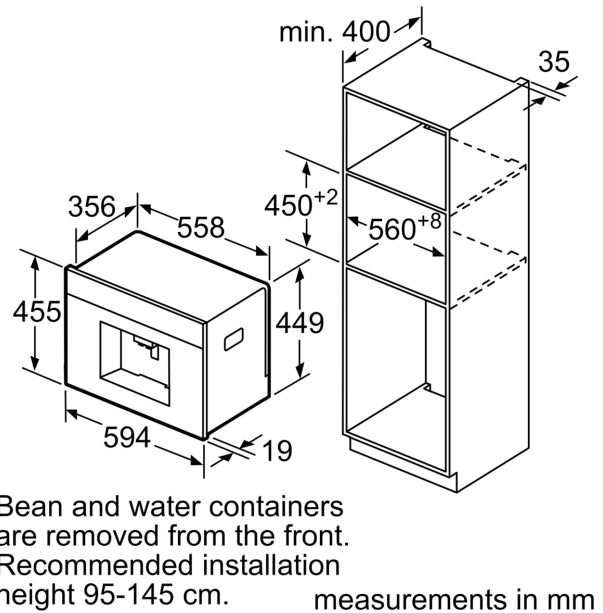
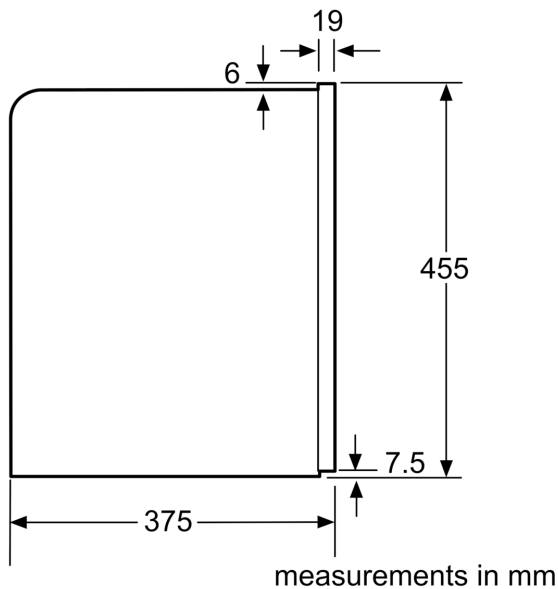
#### Miscellaneous

- Containers for water, milk and coffee beans are easily accessible but hidden behind a door, so the kitchen always looks clean
- Bean container with aroma protection lid (500 g volume)
- Illumination for keys and coffee outlet
- Grinding fineness adjustable (multi-level)
- Different display languages available
- Child-proof lock: key lock preventing unintended brewing cycle
- Wattage: 1600 W

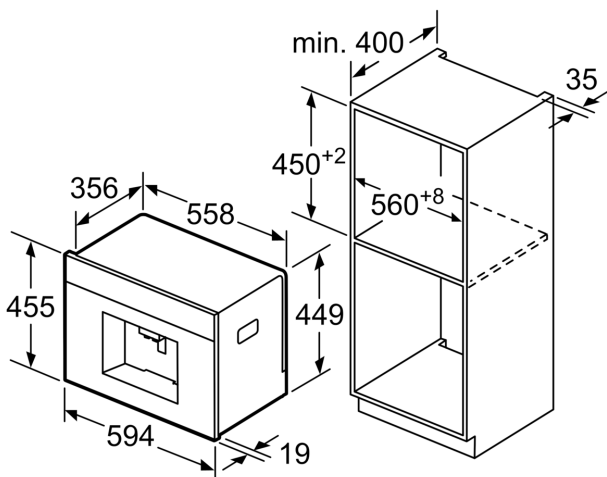
#### Accessories

- with insulationmilk container with fresh lock-lid (0.5 l volume)
- Further included accessories: connection hose for milk frother, test strip, assembly screws
- Separately available accessories: cleaning tablets (TZ60001), descaling tablets (TCZ8002), BRITA Intenza water filter (TCZ7003), care set for fully-automatic espresso makers (TCZ8004), insulated milk container (TCZ8009N)

**Series 8, Built-in Fully Automatic  
Coffee Machine, Stainless steel  
CTL636ES1**

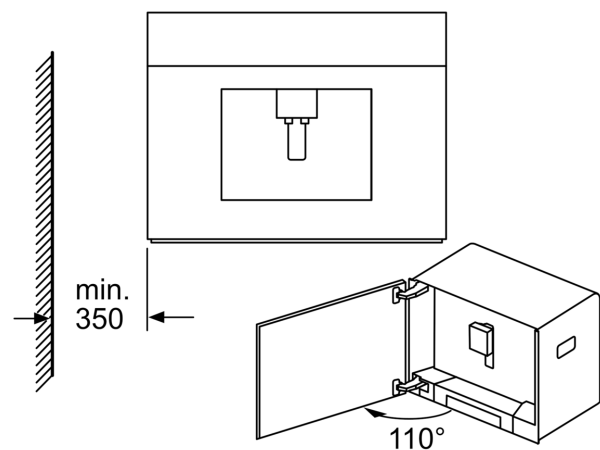


Bean and water containers  
are removed from the front.  
Recommended installation  
height 95-145 cm.



Bean and water containers  
are removed from the front.  
Recommended installation  
height 95-145 cm.

left corner installation



If using the 92° hinge limiter  
(spare part no. 00636455),  
the minimum distance to the wall  
is only 100 mm.

