

**Series 8, Built-in Compact Oven with Microwave Function, 60 x 45 cm, Black
CMG7241B1B**



2 x combination grid, 1 x universal pan

HEZ327000 Pizza stone, HEZ32WA00 Wireless food thermometer, HEZ530000 Half tray, HEZ531010 Baking tray, non-stick ceramic coated, HEZ532010 Universal pan, non-stick ceramic coated, HEZ617000 Pizza pan, enamelled, HEZ629070 Air Fry & Grill tray, HEZ631070 Baking tray, enamelled, HEZ632070 Multipurpose pan, enamelled, HEZ634000 Baking and roasting grid (standard), HEZ636000 Glass pan, HEZ660050 Cover Strip, HEZ660060 Strip, HEZ664000 Baking and roasting grid (steam), HEZ915003 Glass roasting dish, 5,4 L

The compact microwave oven with Digital Control Ring and TFT-touchdisplay: enables you to achieve perfect baking and roasting results very quickly. Home Connect for control via the App.

- **Digital Control Ring:** the simple and innovative way to select oven settings.
- **TFT Touch Display:** easy control thanks to an innovative Digital Control Ring and TFT touchscreen.
- **Air Fry Function:** for perfectly fried foods, such as vegetables and chips.
- **2D Hotair:** even heat distribution for perfect results on one level.
- **Oven Assistant with Voice Control:** easily set the right programme.

Additional function: Microwave combination
 Type of control: Electronic
 Dimensions (HxWxD): 455 x 594 x 548 mm
 Cavity dimensions: 237.0 x 480 x 392.0 mm
 Length electrical supply cord: 150.0 cm
 Net weight: 35.3 kg
 Gross weight: 37.6 kg
 Max. microwave power level: 900 W
 Number of power levels: 5
 Turntable: No
 Heating type: Circulating air gentle
 Cavity material: Enamelled steel
 Door opening: Handle
 Clock: Yes
 Included accessories: 2 x combination grid, 1 x universal pan
 Height of the appliance: 455 mm
 Width of the appliance: 594 mm
 Depth of the product: 548 mm
 Max. microwave power level: 900 W
 Connection rating: 3600 W
 Fuse protection: 16 A
 Voltage: 220-240 V
 Frequency: 50 Hz
 Plug type: no plug
 Required cutout/niche size for installation (in): x
 Dimensions of the packed product: 21.25 x 25.59 x 26.77
 Net weight: 78.000 lbs
 Gross weight: 83.000 lbs



Series 8, Built-in Compact Oven with Microwave Function, 60 x 45 cm, Black CMG7241B1B

The compact microwave oven with Digital Control Ring and TFT-touchdisplay: enables you to achieve perfect baking and roasting results very quickly. Home Connect for control via the App.

- Electrical connection rating: 3600 W

Dimensions:

- Dimensions of the product (HxWxD mm) : 455 x 594 x 548
- Niche dimension (HxWxD): 450 mm - 455 mm x 560 mm - 568 mm x 550 mm
- "Please refer to the built-in dimensions provided in the installation drawing"

Heating Functions

- Cavity volume: 45 l
- Compact oven with microwave with 16 heating methods: - Top/bottom heat, - Hot air grilling, - Full width grill, - Half width grill, - Bottom heat, Plate warming, Conventional heat gentle, - Circulating Air, Air fry, microwave, Circulating air, Conventional heat, Full width grill, Half width grill, Hot air grilling
- Max. Power: 900 W; 5 Microwave power settings (90 W,180 W,360 W,600 W, boost) with Inverter (MW)
- Intelligent inverter technology: maximum output power will be regulated to 600 W when used in longer operation
- Temperature range 30 °C - 230 °C

Hook-in racks / rails

- 3 shelf positions

Design

- Touch control
- Digital Control Ring
- Cavity inner surface: enamel anthracite

Cleaning

- Oven cleaning program: Cleaning aid

Comfort

- Oven Assistant with Voice Control
- Electronic clock with timer
- Actual temperature display
- Digital temperature display with proposal Heating-up indicator
- Drop down door, SoftClose, SoftOpen
- Supporting systems: Dish categories
- No
- LED light, Switch for oven illumination
- Integral cooling fan
- HomeConnect ready on WLAN

Accessories

- 2 x combination grid, 1 x universal pan

Environment and Safety

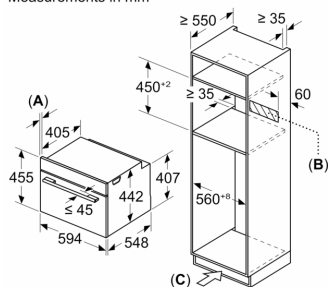
- Maximum window temperature 40°C
- Triple glazed glazed CoolTouch door
- Childproof lock
- Automatic switch off Residual heat indicator Start button Door contact switch

Technical Info

- Length of mains cable: 150 cm
- Nominal voltage: 220 - 240 V

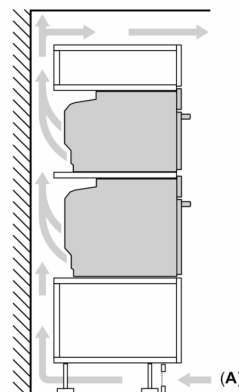
**Series 8, Built-in Compact Oven with
Microwave Function, 60 x 45 cm,
Black
CMG7241B1B**

Measurements in mm

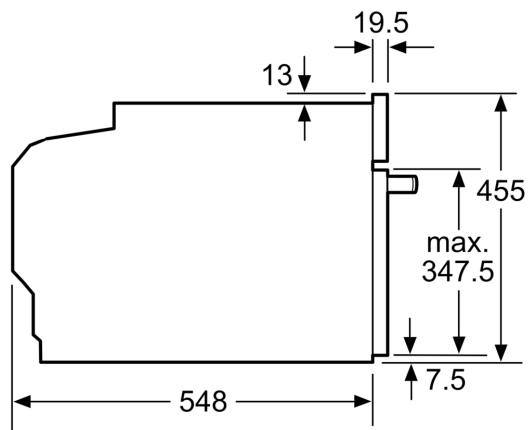
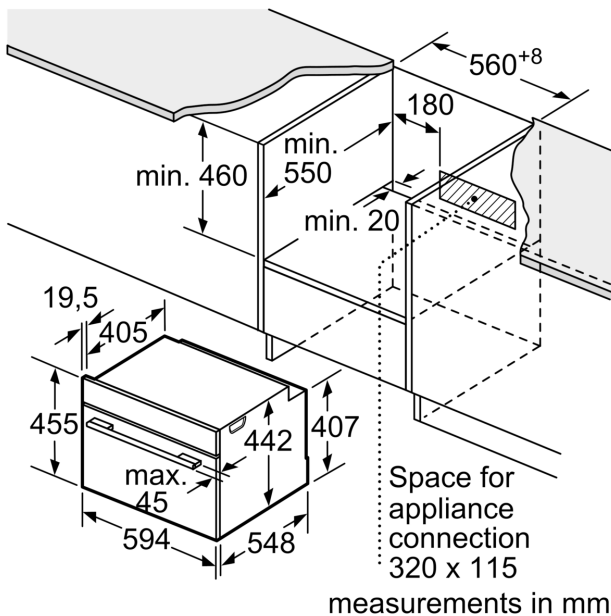


- A: 19.5 mm
- B: Space for appliance connection
320 x 115 mm
- C: Ventilation space in the base \geq 200 cm²

**Installing two appliances on top of each other
Air exchange**



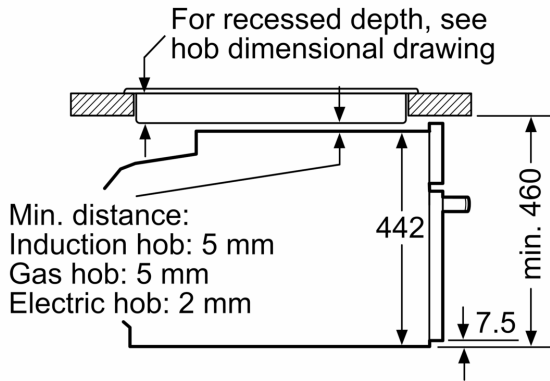
A: Air inlet \geq 200 cm²



measurements in mm

Installation with a hob.

If the compact appliance will be installed underneath a hob, the following worktop thicknesses (including substructure if necessary) must be taken into account.



measurements in mm

Hob type	min. worktop thickness	
	fitted	flush
Induction hob	42 mm	43 mm
Full surface Induction hob	52 mm	53 mm
Gas hob	32 mm	43 mm
Electric hob	32 mm	35 mm