

Series 8, Built-in compact oven with microwave function, 60 x 45 cm, Stainless steel CMG633BS1B



- **TFT display control:** easy-to-use thanks to the control ring with full text and symbols
- **Flap door with SoftOpen and SoftClose:** the oven door opens and closes especially gently and quietly.
- **Fast pre heating**

Additional function: Microwave combination
 Type of control: Electronic
 Dimensions (HxWxD): 455 x 594 x 548 mm
 Cavity dimensions: 237.0 x 480 x 392.0 mm
 Length electrical supply cord: 150.0 cm
 Net weight: 34.6 kg
 Gross weight: 36.9 kg
 Max. microwave power level: 900 W
 Number of power levels: 5
 Turntable: No
 Cavity material: Enamelled steel
 Door opening: Handle
 Clock: Yes
 Included accessories: 1 x combination grid, 1 x universal pan
 Height of the appliance: 455 mm
 Width of the appliance: 594 mm
 Depth of the product: 548 mm
 Max. microwave power level: 900 W
 Connection rating: 3600 W
 Fuse protection: 16 A
 Voltage: 220-240 V
 Frequency: 60; 50 Hz
 Plug type: no plug
 Alternative colors available: CMG633BB1B
 Required cutout/niche size for installation (in): x
 Dimensions of the packed product: 21.25 x 25.59 x 26.77
 Net weight: 76.000 lbs
 Gross weight: 81.000 lbs

1 x combination grid, 1 x universal pan

HEZ327000 Pizza stone, HEZ530000 Half tray, HEZ531010 Baking tray, non-stick ceramic coated, HEZ532010 Universal pan, non-stick ceramic coated, HEZ617000 Pizza pan, enamelled, HEZ625071 Grill tray, anthracite, HEZ631070 Baking tray, enamelled, HEZ632070 Multipurpose pan, enamelled, HEZ634080 Baking and roasting grid (microwave), HEZ636000 Glass pan, HEZ660050 Cover Strip, HEZ660060 Strip, HEZ664000 Baking and roasting grid (steam), HEZ915003 Glass roasting dish, 5,4 L



Series 8, Built-in compact oven with microwave function, 60 x 45 cm, Stainless steel CMG633BS1B

Heating Functions

- Compact oven with microwave with 6 heating methods:
 - - 4D hot air
 - - Hot Air Eco
 - - Hot air grilling
 - - Full width grill
 - - Half width grill
- Plate warming
- Additional heating methods with microwave: microwave, combi microwave constant
- Cavity volume: 45 l

Design

Cleaning

Comfort

- Supporting systems: Automatic programmes
- Electronic clock with timer
- Fast pre-heating function
- LED light, Switch for oven illumination
- Integral cooling fan

Hook-in racks / rails

Accessories

- 1 x universal pan, 1 x combination grid

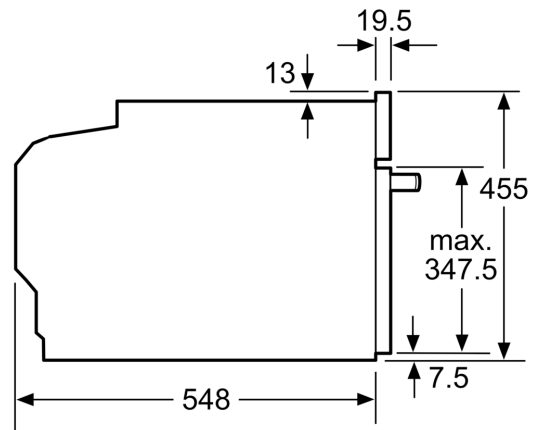
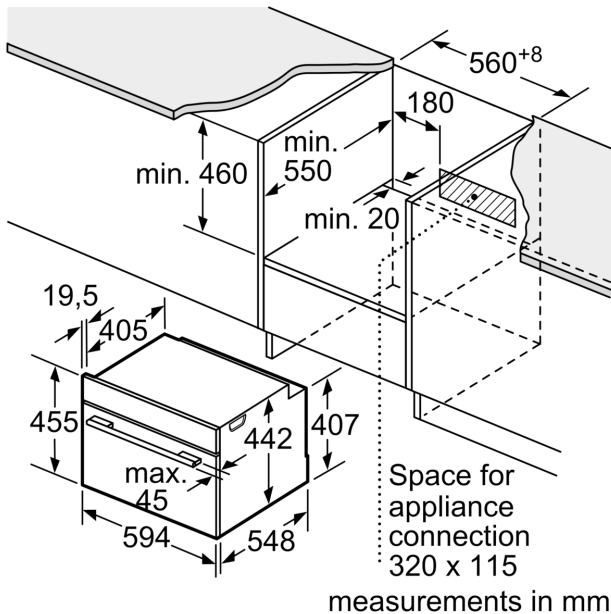
Environment and Safety

- Childproof lock
- Automatic switch off
- Residual heat indicator
- Start button
- Door contact switch

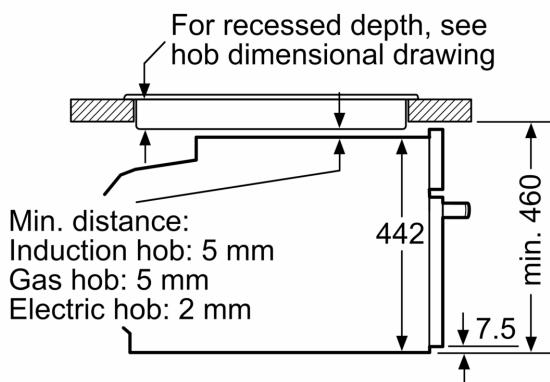
Technical Info

- Length of mains cable: 150 cm
- Electrical connection rating: 3600 W
- Dimensions of the product (HxWxD mm) : 455 x 594 x 548
- Niche dimension (HxWxD): 450 mm - 455 mm x 560 mm - 568 mm x 550 mm
- "Please refer to the built-in dimensions provided in the installation drawing"

**Series 8, Built-in compact oven with
microwave function, 60 x 45 cm,
Stainless steel
CMG633BS1B**



Installation with a hob.



If the compact appliance will be installed underneath a hob, the following worktop thicknesses (including substructure if necessary) must be taken into account.

Hob type	min. worktop thickness	
	fitted	flush
Induction hob	42 mm	43 mm
Full surface Induction hob	52 mm	53 mm
Gas hob	32 mm	43 mm
Electric hob	32 mm	35 mm

