

**Series 8, Built-in Steamer, 60 x 45 cm, Black
CDG714XB1**



punched, 1 x steam container, unpunched, size L, 1 x sponge

- HEZ32WA00 Wireless food thermometer
- HEZ617000 Pizza pan, enamelled
- HEZ660050 Cover Strip
- HEZ660060 Strip
- HEZ915003 Glass roasting dish, 5,4 L

The steam oven with Digital Control Ring and TFT-touchdisplay: prepare foods especially gently, retaining the aroma and vitamins. Home Connect for control via the App.

- **Digital Control Ring:** the simple and innovative way to select oven settings.
- **TFT Touch Display:** easy control thanks to an innovative Digital Control Ring and TFT touchscreen.
- **Steam function:** for gentle, healthy food preparation
- **Oven Assistant with Voice Control:** easily set the right programme.
- **Automatic Switch-off:** cooking process automatically stops as soon as the dish is done.

Built-in / Free-standing: Built-in
 Min. required niche size for installation (HxWxD): 450-455 x 560-568 x 550 mm
 Dimensions (HxWxD): 455 x 594 x 548 mm
 Dimensions of the packed product (HxWxD): 536 x 655 x 710 mm
 Control Panel Material: Glass
 Door Material: Glass
 Net weight: 21.2 kg
 Length electrical supply cord: 150.0 cm
 Connection rating: 1750 W
 Fuse protection: 10 A
 Voltage: 220-240 V
 Frequency: 50; 60 Hz
 Plug type: GARDY plug w/ earthing
 Included accessories: 1 x steam container, punched, size L, 1 x steam container, unpunched, size L, 1 x sponge



Series 8, Built-in Steamer, 60 x 45 cm, Black CDG714XB1

The steam oven with Digital Control Ring and TFT-touchdisplay: prepare foods especially gently, retaining the aroma and vitamins. Home Connect for control via the App.

Heating Functions

- Compact steamer with 4 heating methods: - Steam 100%, - Regeneration, - Fermentation, - Defrost
- Temperature range 30 °C - 100 °C
- Cavity volume: 38 l

Hook-in racks / rails

- 3 shelf positions

Design

- Touch control
- Digital Control Ring
- Cavity inner surface: stainless steel

Comfort

- Oven Assistant with Voice Control
- Electronic clock with timer
- Actual temperature display
- Digital temperature display with proposal Heating-up indicator
- Drop down door, SoftClose, SoftOpen
- Supporting systems: Dish categories
- LED light, Switch for oven illumination
- Water level indicator
- Location of the steam generator is outside of the cavity
- Integral cooling fan
- HomeConnect ready on WLAN

Accessories

- 1 x steam container, punched, size L, 1 x steam container, unpunched, size L, 1 x sponge

Environment and Safety

- Maximum window temperature 40°C
- Childproof lock
- Automatic switch off Start button Door contact switch

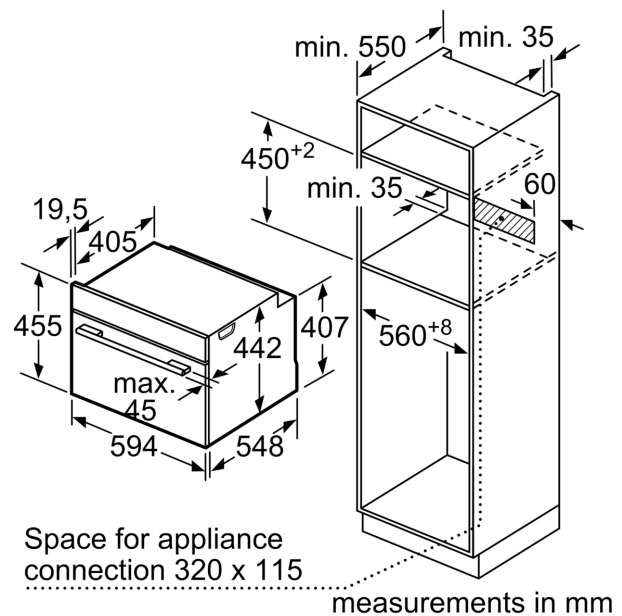
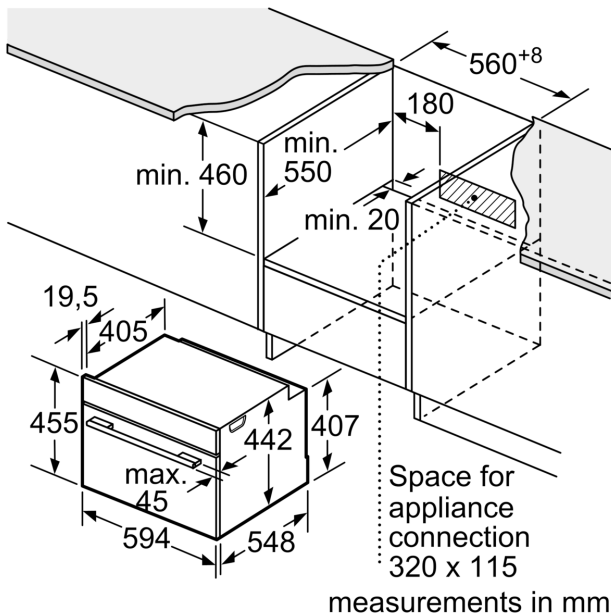
Technical Info

- Length of mains cable: 150 cm
- Nominal voltage: 220 - 240 V
- Electrical connection rating: 1750 W

Dimensions:

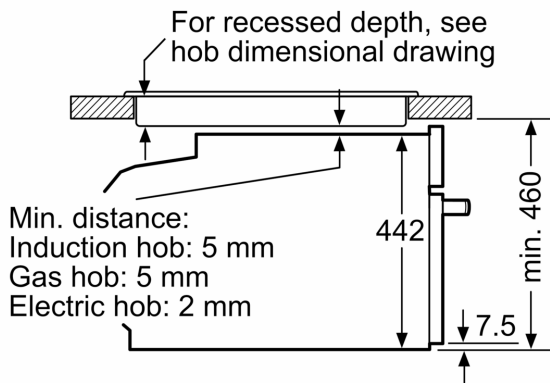
- Dimensions of the product (HxWxD mm) : 455 x 594 x 548
- Niche dimension (HxWxD): 450 mm - 455 mm x 560 mm - 568 mm x 550 mm
- "Please refer to the built-in dimensions provided in the installation drawing"

**Series 8, Built-in Steamer, 60 x 45 cm, Black
CDG714XB1**



Installation with a hob.

If the compact appliance will be installed underneath a hob, the following worktop thicknesses (including substructure if necessary) must be taken into account.



measurements in mm

Hob type	min. worktop thickness	
	fitted	flush
Induction hob	42 mm	43 mm
Full surface Induction hob	52 mm	53 mm
Gas hob	32 mm	43 mm
Electric hob	32 mm	35 mm