

Series 8, Built-in Steamer, 60 x 45 cm, Stainless steel CDG634AS0



punched, 1 x steam container, unpunched, size L, 1 x sponge

- HEZG9AS00S Adapter
- HEZ660050 Cover Strip
- HEZ660060 Strip
- HEZ915003 Glass roasting dish, 5,4 L
- HEZG0AS00 Connecting cable 3m

The steamer: prepare foods especially gently, retaining the aroma and vitamins

- **Steam function:** for gentle, healthy food preparation
- **TFT Touch Display:** easy-to-use thanks to the Control Ring with clear text and symbols.
- **AutoPilot 20:** every dish is a perfect success thanks to 20 pre-set automatic programmes.
- **Flap door with SoftOpen and SoftClose:** the oven door opens and closes especially gently and quietly.

Built-in / Free-standing: Built-in
 Min. required niche size for installation (HxWxD): 450-455 x 560-568 x 550 mm
 Dimensions (HxWxD): 455 x 594 x 548 mm
 Dimensions of the packed product (HxWxD): 520 x 650 x 710 mm
 Control Panel Material: Stainless steel
 Door Material: Glass
 Net weight: 24.6 kg
 Length electrical supply cord: 150.0 cm
 Connection rating: 1750 W
 Fuse protection: 10 A
 Voltage: 220-240 V
 Frequency: 50; 60 Hz
 Plug type: GARDY plug w/ earthing
 Included accessories: 1 x steam container, punched, size L, 1 x steam container, unpunched, size L, 1 x sponge



Series 8, Built-in Steamer, 60 x 45 cm, Stainless steel CDG634AS0

The steamer: prepare foods especially gently, retaining the aroma and vitamins

Heating Functions

- Cavity volume: 38 l

Design

- Electronic clock with timer

Comfort

- Supporting systems: Automatic programmes
- Interior lighting, Switch for oven illumination
- Water tank with 1.3 l
- Water level indicator
- Location of the steam generator is outside of the cavity
- Integral cooling fan
- Childproof lock
- Automatic switch off Start button Door contact switch

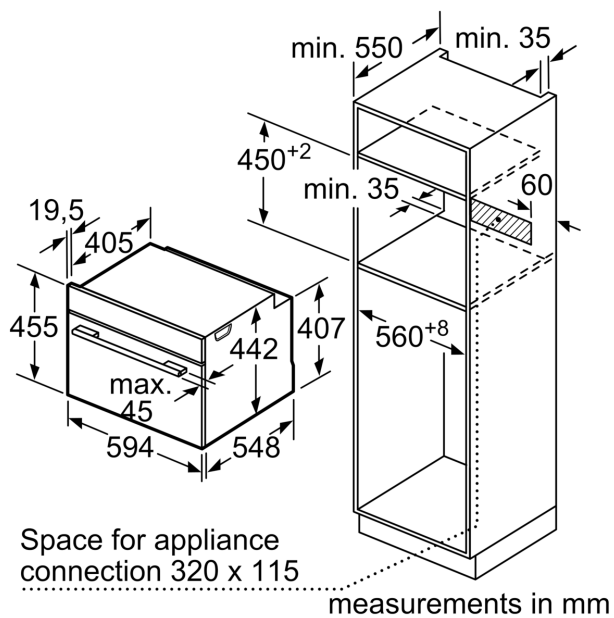
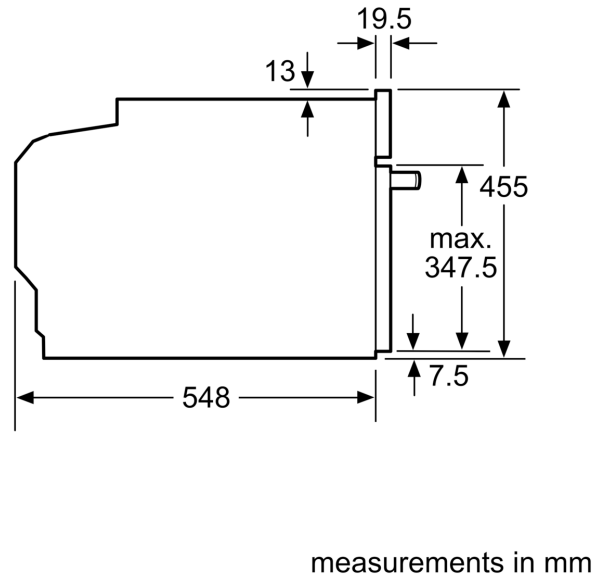
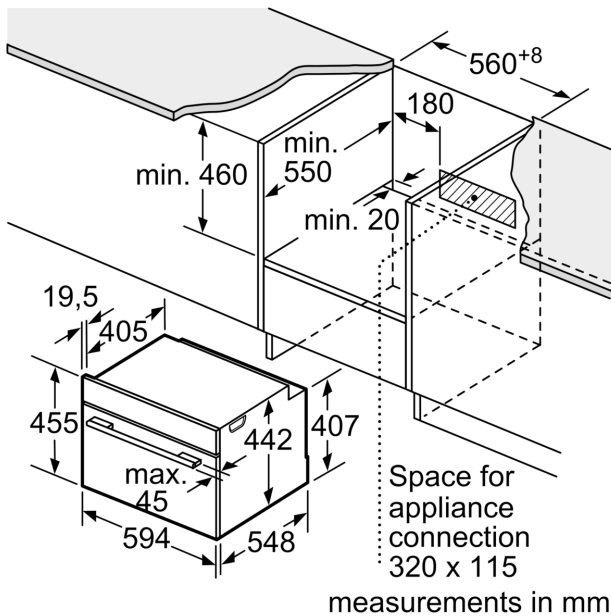
Accessories

- 1 x steam container, punched, size L, 1 x steam container, unpunched, size L, 1 x sponge

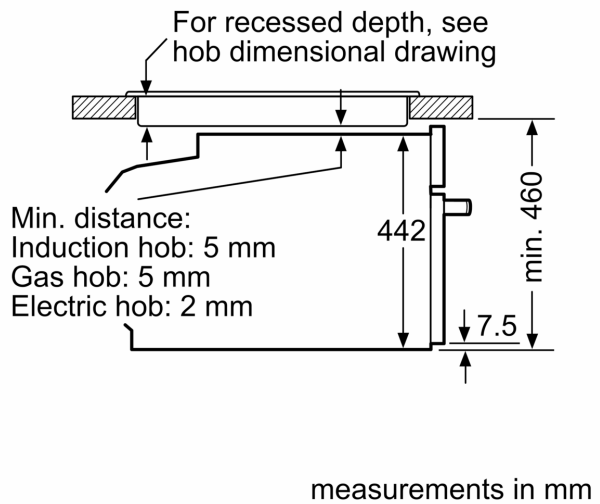
Technical Info

- Length of mains cable: 150 cm
- Electrical connection rating: 1750 W
- Dimensions of the product (HxWxD mm) : 455 x 594 x 548
- "Please refer to the built-in dimensions provided in the installation drawing"

**Series 8, Built-in Steamer, 60 x 45 cm, Stainless steel
CDG634AS0**



Installation with a hob.



If the compact appliance will be installed underneath a hob, the following worktop thicknesses (including substructure if necessary) must be taken into account.

Hob type	min. worktop thickness	
	fitted	flush
Induction hob	42 mm	43 mm
Full surface Induction hob	52 mm	53 mm
Gas hob	32 mm	43 mm
Electric hob	32 mm	35 mm