

**Series 4, condenser tumble dryer, 8 kg
WTN83203GB**



B



- **AutoDry:** gently dries laundry to precisely the degree of dryness you want.
- **Fast drying:** dries your laundry considerably faster than before.
- **Sensitivedrying System:** gentledrying without wrinkling thanks its unique drum design and movements.
- **Allergy Plus:** specially developed for the needs of allergy sufferers and sensitive skin.
- **Anti-crease:** laundry is automatically loosened once program finished and does not crease.

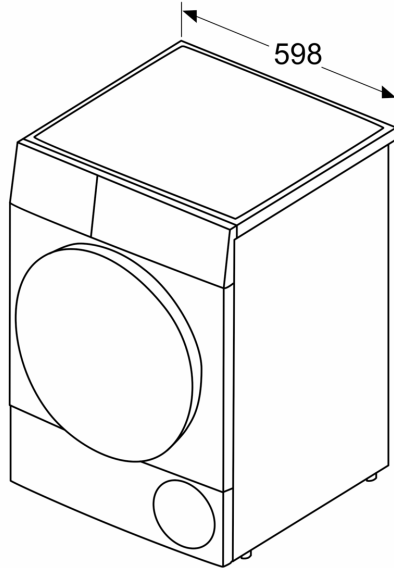
Built-in / Free-standing:	Free-standing
Removable top:	No
Door hinge:	Right
Color / Material body:	White
Length electrical supply cord:	179.5 cm
Dimensions:	842 x 598 x 613 mm
Net weight:	39.0 kg
Drum volume:	112 l
Connection rating:	2800 W
Fuse protection:	13 A
Voltage:	220-240 V
Frequency:	50 Hz
Drying process:	automatic
Loading capacity:	8.0 kg
Energy efficiency rating:	B
Energy consumption electric dryer, full load - NEW (2010/30/EC):	4.71 kWh
Standard cotton programme time at full load:	150 min
Energy consumption electric dryer, partial load - NEW (2010/30/EC):	2.56 kWh
Standard cotton programme time at partial load:	83 min
Weighted annual energy consumption, electric dryer - NEW (2010/30/EC):	560.0 kWh/annum
Power consumption in off-mode - NEW (2010/30/EC):	0.15 W
Power consumption in left-on mode - NEW (2010/30/EC):	0.50 W
Weighted programme time:	112 min
Condensation efficiency class - NEW (2010/30/EC):	B
Average condensation efficiency full load (%):	88 %
Average condensation efficiency partial load (%):	88 %
Weighted condensation efficiency for the standard cotton programme at full and partial load:	88 %

- WMZ20600 Wool in basket - accessory
- WTZ1110 Condenser drainage kit
- WTZ11400 Stacking kit with pull-out shelf
- WTZ20410 Stacking kit
- WTZPW20D Platform with pull-out, dryer, cubic



**Series 4, condenser tumble dryer, 8
kg
WTN83203GB**

Measurements in mm



Measurements in mm

