

## Series 4, heat pump dryer, 8 kg WTH85223GB



**A++**



WMZ20600 Wool in basket - accessory  
 WTZ11400 Stacking kit with pull-out shelf  
 WTZ20410 Stacking kit  
 WTZPW20D Platform with pull-out, dryer, cubic

## The dryer for especially efficient drying: energy efficiency class A++.

- **AutoDry:** gently dries laundry to precisely the degree of dryness you want.
- **Easy Clean with A++:** dries very efficient. With easy cleaning of the condenser filter.
- **Anti-Vibration Design:** Extremely stable vibration protection ensures high smoothness of operation.
- **Climate friendly dryer with the most environmental friendly agent (R290).**
- **LED Display with end-or start-time delay of up to 24 hours.**

Built-in / Free-standing: ..... Free-standing  
 Removable top: ..... No  
 Door hinge: ..... Right  
 Color / Material body: ..... White  
 Length electrical supply cord: ..... 179.5 cm  
 Dimensions: ..... 842 x 598 x 613 mm  
 Net weight: ..... 48.4 kg  
 Drum volume: ..... 112 l  
 Fluorinated greenhouse gases: ..... No  
 Type of refrigerant: ..... R290  
 Hermetically sealed equipment: ..... Yes  
 Connection rating: ..... 625 W  
 Fuse protection: ..... 10 A  
 Voltage: ..... 220-240 V  
 Frequency: ..... 50 Hz  
 Drying process: ..... automatic  
 Loading capacity: ..... 8.0 kg  
 Energy efficiency rating: ..... A++  
 Energy consumption electric dryer, full load - NEW (2010/30/EC): 1.87 kWh  
 Standard cotton programme time at full load: ..... 205 min  
 Energy consumption electric dryer, partial load - NEW (2010/30/EC): ..... 1.14 kWh  
 Standard cotton programme time at partial load: ..... 130 min  
 Weighted annual energy consumption, electric dryer - NEW (2010/30/EC): ..... 236.0 kWh/annum  
 Power consumption in off-mode - NEW (2010/30/EC): ..... 0.10 W  
 Power consumption in left-on mode - NEW (2010/30/EC): ..... 0.75 W  
 Weighted programme time: ..... 162 min  
 Condensation efficiency class - NEW (2010/30/EC): ..... B  
 Average condensation efficiency full load (%): ..... 81 %  
 Average condensation efficiency partial load (%): ..... 81 %  
 Weighted condensation efficiency for the standard cotton programme at full and partial load: ..... 81 %



## Series 4, heat pump dryer, 8 kg WTH85223GB

### The dryer for especially efficient drying: energy efficiency class A++.

---

#### engine power and consumption

##### Programmes

- standard programmes: cotton, easy care
- Special programmes: shirts/blouses, Down wear, Towels, Mixed Load, Super Quick 40 minutes program, Sportswear, Wool Finish, Timed Program Cold, Timed Program Warm

##### options

- Touch control buttons: Start / Reload / Pause, Low Heat, less ironing, programme length, Fine-tuning of drying aim, 24 h end time delay

##### comfort and safety

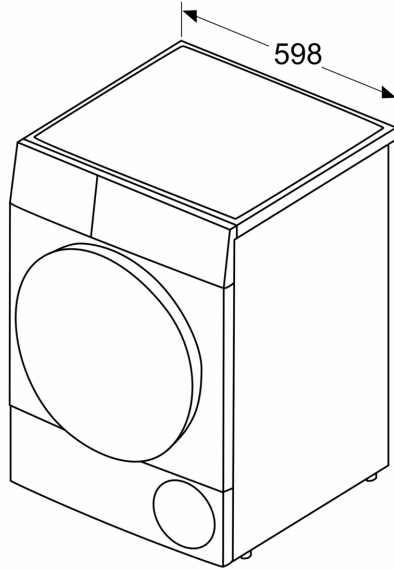
- Easy clean filter for easy maintenance
- AutoDry technology
- Fully electronic control dial for sensor drying programmes, timed and special programmes
- LED-Display for remaining time and 24 h end time delay, programme status indication, special functions
- Sensitive Drying System: Big Stainless steel drum with textile care structure, soft design paddles
- AntiVibration Design: more stability and quietness
- Drain Set
- Indication for full condensation tank
- Indication for cleaning of filter
- Child-proof lock
- Anti crease cycle after the end of the programme
- Buzzer to indicate the end of cycle
- Glass door with frame silver-white
- comfort lock
- Door hinge: right-hand
- Metal door closing hook

##### Technical Information

- Slide-under height of 85cm
- Dimensions (H x W): 84.2 cm x 59.8 cm
- Appliance depth: 61.3 cm
- Appliance depth incl. door: 66.5 cm
- Appliance depth with open door: 110.5 cm
- Heat pump technology with eco-friendly cooling agent R290

**Series 4, heat pump dryer, 8 kg  
WTH85223GB**

Measurements in mm



Measurements in mm

