

**Series 6, Built-in washing machine, 8 kg, 1400 rpm  
WIW28301GB**



**Our washing machine with EcoSilence Drive: enjoy supremely quiet operation and excellent durability.**

- **EcoSilence Drive™:** extremely energy-efficient and quiet in operation with a 10-year warranty.
- **Allergy Plus:** developed for allergy sufferers and people with sensitive skin.
- **SpeedPerfect:** perfectly clean in up to 65% less time.
- **Vario Drum:** gently and efficiently wash with even water distribution and without creasing garments.
- **Active Water Plus:** For highly efficient use of water even with smaller loads thanks to automatic load detection.

- WMZ20441 Height-adjustable feet
- WMZ2200 Floor securing component
- WMZ2381 Extension for cold water inlet /Aquastop

Built-in / Free-standing: .....	Built-in
Door hinge: .....	Left
Color / Material body: .....	White
Length electrical supply cord: .....	210.0 cm
Height of the appliance: .....	818 mm
Dimensions of the product: .....	818 x 596 x 544 mm
Wheels: .....	No
Net weight: .....	76.3 kg
Drum volume: .....	55 l
Door Frame: .....	White
Noise level washing: .....	41 dB(A) re 1 pW
Connection rating: .....	2300 W
Fuse protection: .....	10 A
Voltage: .....	220-240 V
Frequency: .....	50 Hz
Energy Star Qualified: .....	No
Cord included: .....	Yes
Plug type: .....	GB plug
Length of supply hose (in): .....	86.61 "
Dimensions of the packed product: .....	34.44 x 25.98 x 24.99
Net weight: .....	168.000 lbs
Gross weight: .....	170.000 lbs
Length of drain hose: .....	220.00 cm
Length of supply hose: .....	220.00 cm
Dimensions of the packed product (HxWxD): .....	875 x 635 x 660 mm
Gross weight: .....	77.2 kg
Connection rating: .....	2300 W
Fuse protection: .....	10 A
Voltage: .....	220-240 V
Frequency: .....	50 Hz
Water protection system: .....	Aquastop
Maximum spin speed: .....	1400 rpm
Spin speed options: .....	Variable
Digital countdown indicator: .....	Yes
Progress indicator: .....	LED-display, LED
Energy Efficiency Class (Regulation (EU) 2017/1369): .....	C
Weighted energy consumption in kWh per 100 washing cycles of eco 40-60 programme (EU 2017/1369): .....	62 kWh
Maximum capacity in kg (EU 2017/1369): .....	8.0 kg
The water consumption of the eco programme in liters per cycle (EU 2017/1369): .....	45 l
Duration of eco 40-60 programme in hours and mins at rated capacity (EU 2017/1369): .....	3:16 h
Spin-drying efficiency class of eco 40-60 programme (EU 2017/1369): .....	B
Airborne acoustical noise emission class (EU 2017/1369): .....	A
Airborne acoustical noise emissions (EU 2017/1369): .....	.66 dB(A) re 1 pW



## **Series 6, Built-in washing machine, 8 kg, 1400 rpm WIW28301GB**

**Our washing machine with EcoSilence Drive: enjoy supremely quiet operation and excellent durability.**

---

### **engine power and consumption**

- Fully integratable

### **Programmes**

- Special programmes: allergy plus, shirts/blouses, MIX Silent/MIX Night wash, Spin / Drain, Family Mix, single rinse, delicate/silk, wool / hand wash

### **options**

- TouchControl buttons: end time delay, start/pause with reload function, SpeedPerfect, Spin speed selection/Rinse hold

### **comfort and safety**

- Reload function: Be flexible in adding laundry items even after start of the wash cycle.
- Large display for programme progress indication, spin speed, remaining time, 24 h end time delay and load recommendation
- EcoSilence Drive: quiet motor with long lifetime
- 10 years guaranty on EcoSilence Drive
- AquaStop: Bosch' warranty in case of water damage – for the lifetime of the appliance.\*
- Foam detection system to remove excessive foam
- Unbalanced load detection
- noise insulation: bottom cover
- Easy cleaning detergent drawer
- Divider for Liquid Detergent
- buzzer at end of program
- 30 cm porthole, white with 130 ° opening angle
- Door hinging interchangeable
- Metal door closing hook

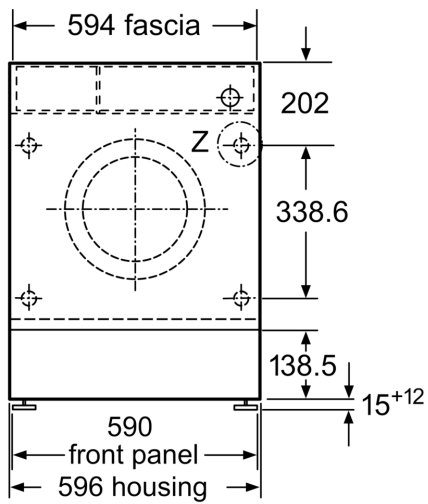
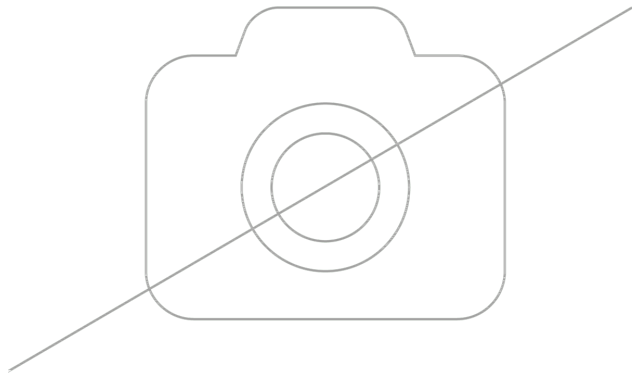
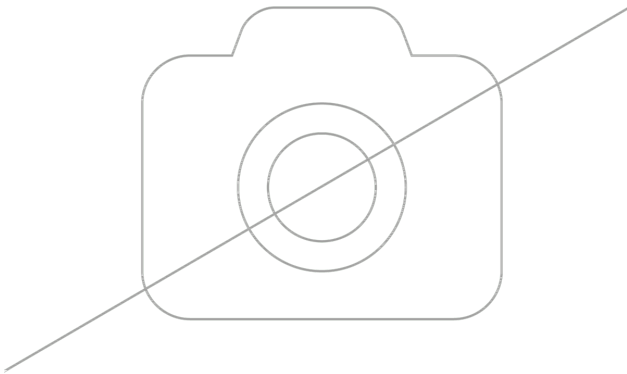
### **Technical Information**

- adjustable base hight: 15 cm
- adjustable base depth: 6.5 cm
- Dimensions (H x W x D): 81.8 cm x 59.6 cm x 54.4 cm
- changeable backfeed

\* Please find warranty terms under [please insert here the local URL (internet address, e.g. <https://www.bosch-home.com/> but with the direct page with the warranty terms)]

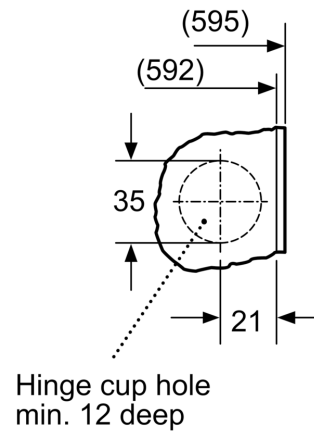
\*\* Values are rounded.

**Series 6, Built-in washing machine, 8 kg, 1400 rpm  
WIW28301GB**



measurements in mm

Z detail



measurements in mm