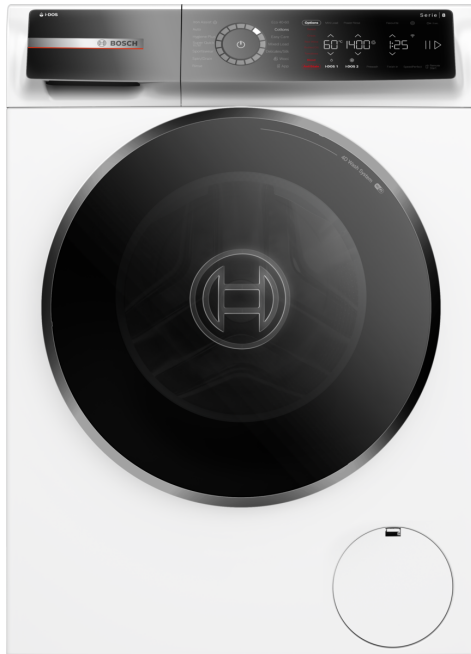


**Series 8, washing machine,  
frontloader fullsize, 10 kg, 1400 rpm  
WGB256A1GB**



- WMZPW20W Platform with pull-out, washer, cubic
- WMZ2200 Floor securing component
- WMZ2381 Extension for cold water inlet /Aquastop

- **Home Connect:** home appliances with smart connectivity for an easier everyday life.

Built-in / Free-standing: .....Free-standing  
 Door hinge: .....Left  
 Color / Material body: .....White  
 Length electrical supply cord: .....210.0 cm  
 Height of the appliance: .....845 mm  
 Dimensions of the product: .....845 x 598 x 590 mm  
 Wheels: .....No  
 Net weight: .....82.8 kg  
 Drum volume: .....70 l  
 Noise level washing: .....48 dB(A) re 1 pW  
 Connection rating: .....2300 W  
 Fuse protection: .....10 A  
 Voltage: .....220-240 V  
 Frequency: .....50-60 Hz  
 Energy Star Qualified: .....No  
 Cord included: .....Yes  
 Plug type: .....GB plug  
 Length of supply hose (in): .....59.05 "  
 Dimensions of the packed product: .....34.44 x 25.19 x 26.57  
 Net weight: .....183.000 lbs  
 Gross weight: .....184.000 lbs  
 Length of drain hose: .....150.00 cm  
 Length of supply hose: .....150.00 cm  
 Dimensions of the packed product (HxWxD): .....875 x 640 x 675 mm  
 Gross weight: .....83.6 kg  
 Connection rating: .....2300 W  
 Fuse protection: .....10 A  
 Voltage: .....220-240 V  
 Frequency: .....50-60 Hz  
 Water protection system: .....Aquastop  
 Maximum spin speed: .....1400 rpm  
 Spin speed options: .....Variable  
 Digital countdown indicator: .....Yes  
 Progress indicator: .....LED-display  
 Energy Efficiency Class (Regulation (EU) 2017/1369): .....A  
 Weighted energy consumption in kWh per 100 washing cycles of eco 40-60 programme (EU 2017/1369): .....41 kWh  
 Maximum capacity in kg (EU 2017/1369): .....10.0 kg  
 The water consumption of the eco programme in liters per cycle (EU 2017/1369): .....49 l  
 Duration of eco 40-60 programme in hours and mins at rated capacity (EU 2017/1369): .....3:50 h  
 Spin-drying efficiency class of eco 40-60 programme (EU 2017/1369): .....B  
 Airborne acoustical noise emission class (EU 2017/1369): .....A  
 Airborne acoustical noise emissions (EU 2017/1369): .....70 dB(A) re 1 pW



## Series 8, washing machine, frontloader fullsize, 10 kg, 1400 rpm WGB256A1GB

### engine power and consumption

- Energy Efficiency Class<sup>1</sup>: A
- Energy<sup>2</sup> / Water<sup>3</sup>: 41 kWh / 49 litres
- Load capacity: 1 - 10 kg
- Programme duration<sup>4</sup>: 3:50 h:min
- Spin drying efficiency class: B
- Spin power / spin speed<sup>\*\*</sup>: 400 - 1400 U/min
- Noise level: 70 dB (A) re 1 pW
- Noise efficiency class: A

### Programmes

- standard programmes: cottons, easy care, delicate/silk, wool / hand wash
- Special programmes: App, automatic, Easy Ironing Steam Assisted, Hygiene, Spin / Drain, Family Mix, sportswear, single rinse, Quick 15'/30'
- programmes via app: Automatic Soft, Down, Drum clean with reminder, Shirts, Jeans/dark laundry, Outdoor

### options

- i-DOS: automatic dosing of liquid detergent and softener
- TouchControl buttons: basic setup, On/off, end time delay, stain selection, i-DOS, i-DOS, child lock, Memory, more options, Power rinse, Remote Start, Single item, start/pause with reload function, Temperature, SpeedPerfect, Prewash, Spin speed selection/Rinse hold

### comfort and safety

- Reload function: Be flexible in adding laundry items even after start of the wash cycle.
- 4D Wash System: high efficient water and detergent fabric penetration for spotless results.
- XXL Drum volume: 70 l
- Drum interior light: LED
- VarioDrum: gentle and efficient washing
- 32 cm porthole, black-chrome, black with 182° opening door
- Reload function / pause function
- EcoSilence Drive: quiet motor with long lifetime
- 10 years guaranty on EcoSilence Drive
- AntiVibration Design: more stability and quietness
- ActiveWater Plus: for highly efficient use of water even with small loads thanks to automatic load detection.
- Sound insulation by bottom cover
- Sound insulation by additional damping material
- AquaSensor for optimum rinse results
- AquaStop: Bosch' warranty in case of water damage – for the lifetime of the appliance.\*
- Foam detection system to remove excessive foam
- Overdosage indication
- Unbalanced load detection
- Child-proof lock
- Buzzer at the end of the programme
- Easy cleaning detergent drawer

### Technical Information

- Slide-under height of 85cm
- Dimensions (H x W): 84.5 cm x 59.8 cm
- Appliance depth: 59.0 cm
- Appliance depth incl. door: 64.8 cm
- Appliance depth with open door: 109.0 cm

<sup>1</sup> Scale of Energy Efficiency Classes from A to G

<sup>2</sup> Energy consumption in kWh per 100 cycles (in programme Eco 40-60)

<sup>3</sup> Weighted water consumption in litres per cycle (in programme Eco 40-60)

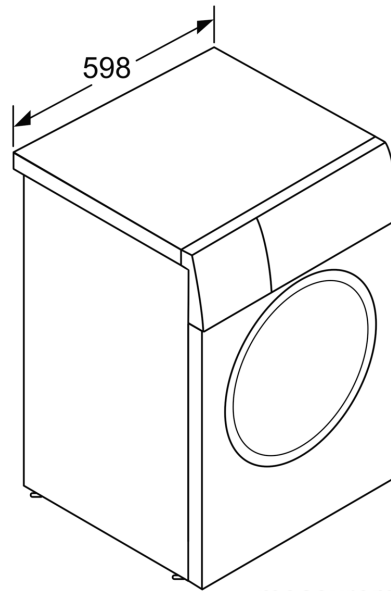
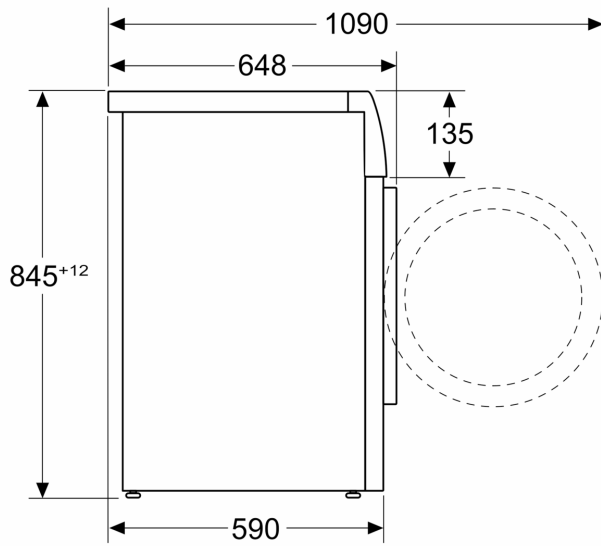
<sup>4</sup> Duration of programme Eco 40-60

<sup>\*\*</sup> Values are rounded.

\* Please find warranty terms under [please insert here the local URL (internet address, e.g. <https://www.bosch-home.com/> but with the direct page with the warranty terms)]

**Series 8, washing machine,  
frontloader fullsize, 10 kg, 1400 rpm  
WGB256A1GB**

Measurements in mm



measurements in mm