

**Series 4, washing machine,  
frontloader fullsize, 9 kg, 1400 rpm  
WAN28259GB**



- WMZ2200 Floor securing component
- WMZ2381 Extension for cold water inlet /Aquastop
- WMZPW20W Platform with pull-out, washer, cubic

- **Active Water Plus:** For highly efficient use of water even with smaller loads thanks to automatic load detection.
- **SpeedPerfect:** perfectly clean in up to 65% less time.
- **Reload function:** forgot an item? Add it easily to the wash.
- **EcoSilence Drive™:** extremely energy-efficient and quiet in operation with a 10-year warranty.
- **Vario Drum:** gently and efficiently wash with even water distribution and without creasing garments.

Built-in / Free-standing: .....	Free-standing
Door hinge: .....	Left
Color / Material body: .....	White
Length electrical supply cord: .....	210.0 cm
Height of the appliance: .....	845 mm
Dimensions of the product: .....	845 x 598 x 590 mm
Wheels: .....	No
Net weight: .....	70.3 kg
Drum volume: .....	65 l
Door Frame: .....	Silver-white
Connection rating: .....	2300 W
Fuse protection: .....	10 A
Voltage: .....	220-240 V
Frequency: .....	50 Hz
Energy Star Qualified: .....	No
Cord included: .....	Yes
Plug type: .....	GB plug
Length of supply hose (in): .....	59.05 "
Dimensions of the packed product: .....	35.43 x 25.59 x 25.59
Net weight: .....	155.000 lbs
Gross weight: .....	157.000 lbs
Length of drain hose: .....	150.00 cm
Length of supply hose: .....	150.00 cm
Dimensions of the packed product (HxWxD): .....	900 x 650 x 650 mm
Gross weight: .....	71.3 kg
Connection rating: .....	2300 W
Fuse protection: .....	10 A
Voltage: .....	220-240 V
Frequency: .....	50 Hz
Water protection system: .....	Multiple water protection
Maximum spin speed: .....	1400 rpm
Spin speed options: .....	Variable
Digital countdown indicator: .....	Yes
Energy Efficiency Class (Regulation (EU) 2017/1369): .....	A
Weighted energy consumption in kWh per 100 washing cycles of eco 40-60 programme (EU 2017/1369): .....	49 kWh
Maximum capacity in kg (EU 2017/1369): .....	9.0 kg
The water consumption of the eco programme in liters per cycle (EU 2017/1369): .....	50 l
Duration of eco 40-60 programme in hours and mins at rated capacity (EU 2017/1369): .....	3:48 h
Spin-drying efficiency class of eco 40-60 programme (EU 2017/1369): .....	B
Airborne acoustical noise emission class (EU 2017/1369): .....	A
Airborne acoustical noise emissions (EU 2017/1369): .....	.72 dB(A) re 1 pW



## Series 4, washing machine, frontloader fullsize, 9 kg, 1400 rpm WAN28259GB

---

### engine power and consumption

- Energy Efficiency Class<sup>1</sup>: A
- Energy<sup>2</sup> / Water<sup>3</sup>: 49 kWh / 50 litres
- Load capacity: 1 - 9 kg
- Programme duration<sup>4</sup>: 3:48 h:min
- Spin drying efficiency class: B
- Spin power / spin speed<sup>\*\*</sup>: 0 - 1400 U/min
- Noise level: 72 dB (A) re 1 pW
- Noise efficiency class: A

### Programmes

- standard programmes: cottons, easy care, delicate/silk, wool / hand wash
- Special programmes: Drum Clean (with reminder), Easy Ironing Steam Assisted, shirts/blouses, Hygiene, Jeans / Dark wash, outdoor, Spin / Drain, Family Mix, single rinse, Quick 15'/30', delicate/silk, wool / hand wash

### options

- SpeedPerfect: perfectly clean in up to 65% less time. \*\*\*
- TouchControl buttons: end time delay, night wash, start/pause with reload function, Temperature, SpeedPerfect, Prewash, Spin speed selection/Rinse hold

### comfort and safety

- Reload function: Be flexible in adding laundry items even after start of the wash cycle.
- Drum volume: 65 l
- Multiple water protection
- Fully electronic control dial for all wash- and special programs
- AntiVibration Design: more stability and quietness
- EcoSilence Drive: quiet motor with long lifetime
- 10 years guaranty on EcoSilence Drive
- ActiveWater Plus: for highly efficient use of water even with small loads thanks to automatic load detection.
- Foam detection system to remove excessive foam
- Unbalanced load detection
- buzzer at end of program
- Child-proof lock
- Divider for Liquid Detergent
- 32 cm porthole, silver-white with 171° opening door
- Metal door closing hook
- comfort lock

### Technical Information

- Slide-under height of 85cm
- Dimensions (H x W): 84.5 cm x 59.8 cm
- Appliance depth: 59.0 cm
- Appliance depth incl. door: 63.3 cm
- Appliance depth with open door: 106.3 cm

<sup>1</sup> Scale of Energy Efficiency Classes from A to G

<sup>2</sup> Energy consumption in kWh per 100 cycles (in programme Eco 40-60)

<sup>3</sup> Weighted water consumption in litres per cycle (in programme Eco 40-60)

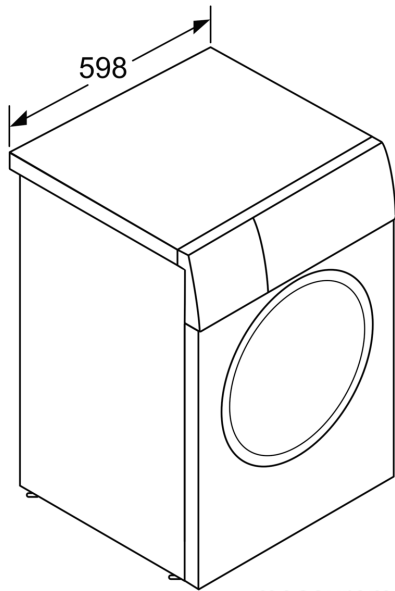
<sup>4</sup> Duration of programme Eco 40-60

\*\* Values are rounded.

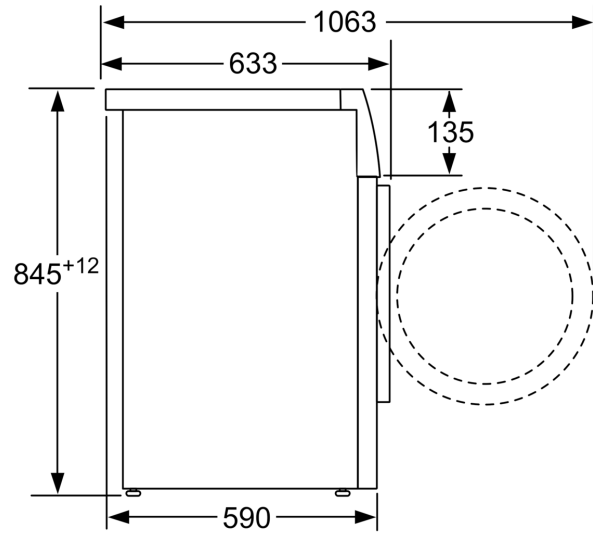
\*\*\* Comparison between the program duration of Easy-care 40°C and the program duration of Easy-care 40°C + activated Speed option

**Series 4, washing machine,  
frontloader fullsize, 9 kg, 1400 rpm  
WAN28259GB**

---



measurements in mm



measurements in mm