

**Series 4, fully-integrated dishwasher,
45 cm, Variable hinge for special
installation situations
SPH4EMX28E**



- SGZ0BI02 decorative strips stainless steel 81,5cm
- SGZ1010 inlet and outlet hose extension
- SGZ4CB00 Vario cutlery basket 45cm
- SGZ8BI00 Connection rail for divided furniture
- SMZ1051EU Mains cable with EU-Plug 5m
- SMZ5000 Dishwashing aid set
- SMZ5300 GlassSecure Tray

**Better drying performance even for built
in kitchens with a high installation.**

- **EfficientDry:** improved drying performance by automatic door opening.
- **Silence Plus:** remarkably quiet at 44dB.
- **Home Connect:** home appliances with smart connectivity for an easier everyday life.
- **InfoLight:** a red infolight on the floor indicates whether the dishwasher is switched on or off.
- **AquaStop:** Bosch's warranty in case of water damage – throughout the lifetime of the appliance.*

Energy Efficiency Class (Regulation (EU) 2017/1369):D
 Energy Consumption for 100 cycles Eco Programme: 67 kWh
 Maximum number of place settings: 10
 The water consumption of the eco programme in liters per cycle: 9.5 l
 Programme duration: 3:30 h
 Airborne acoustical noise emissions :44 dB(A) re 1 pW
 Airborne acoustical noise emission class:B
 Cleaning performance:A
 Water consumption:9.5 l
 Total annual energy consumption 220 days: 162 kWh
 Total annual water consumption 220 days: 2090 l
 Built-in / Free-standing: Built-in
 Removable top: No
 Door panel options: Not possible
 Height of removable worktop: 0 mm
 Height of the appliance: 815 mm
 Adjustable feet: Yes - all from front
 Maximum adjustability feet: 60 mm
 Adjustable plinth: Both horizontal and vertical
 Net weight: 32.5 kg
 Gross weight: 34.3 kg
 Connection rating: 2400 W
 Fuse protection: 10 A
 Voltage: 220-240 V
 Frequency: 50; 60 Hz
 Length electrical supply cord: 175.0 cm
 Plug type: GARDY plug w/ earthing
 Length inlet hose: 165 cm
 Length outlet hose: 205 cm
 Hidden heating element: Yes
 Water protection system description: Triple water protection 24h
 Child safety devices: No
 Water softener: Yes
 Top basket type: R3
 Adjustable upper basket: Rackmatic 3-stage
 Bottom basket type: R3
 3rd Rack: VarioDrawer
 Optional accessories: ...SGZ0BI02, SGZ1010, SGZ4CB00, SGZ8BI00, SMZ1051EU, SMZ5000, SMZ5300
 Included accessories 2: Vapor barrier plate
 Number of place settings: 10
 Dimensions of the product (HxWxD):815 x 448 x 550 mm
 Dimensions of the packed product (HxWxD): 880 x 510 x 670 mm



Series 4, fully-integrated dishwasher, 45 cm, Variable hinge for special installation situations SPH4EMX28E

Better drying performance even for built in kitchens with a high installation.

BOSCH - Header 1

- Noise level (silence programme): 41 dB(A) re 1 pW
- Home Connect enabled via WLAN

BOSCH - Header 2

- 6 programmes: Eco 50 °C, Auto 45-65 °C, Intensive 70 °C, Express 65 °C, Silence 50 °C, Pre-Rinse
- Favourite Program
- 4 special options: Remote Start, Efficient Dry, Intensive Zone, SpeedPerfect+
- Machine Care
- Silence on Demand (via app)

BOSCH - Header 3

- AquaSensor
- DosageAssist
- EcoSilence Drive
- DuoPower spray arms in top basket
- Detergent Automation
- Self-cleaning filter system with 3-fold corrugated filter
- Interior tub material: Stainless Steel

BOSCH - Header 4

- VarioFlex basket system
- VarioDrawer
- Low friction wheels on lower rack and 3rd loading level
- Rack Stopper to prevent derailing of bottom basket
- Rackmatic height-adjustable top basket (3 stage)
- 2 foldable plate racks in top basket
- 2 foldable plate racks in bottom basket
- Cup shelf in top basket
- Cup shelf in bottom basket
- Glass rack in bottom basket

BOSCH - Header 5

- Push button top controls
- Panel legend: Plain text (english)
- InfoLight (red)
- Remaining programme time indicator (min)
- Electronic delay timer: 1-24 hours

BOSCH - Header 6

- AquaStop: Bosch warranty in case of water damage – for the lifetime of the appliance.*
- with VarioHinge
- Glass protection technology
- incl. salt filling funnel
- Incl. Steam protection plate

BOSCH - Header 7

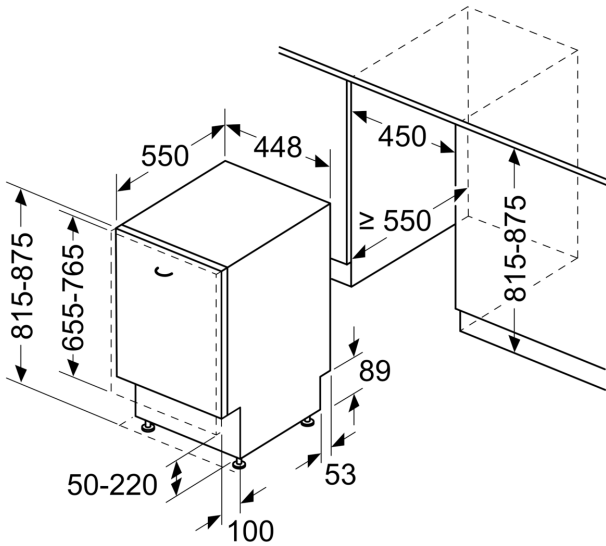
- Product dimensions (HxWxD): 81.5 x 44.8 x 55 cm

BOSCH - Header 8

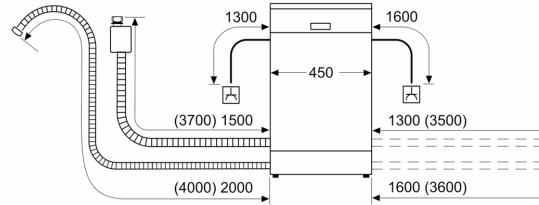
* Please find warranty terms under [please insert here the local URL (internet address, e.g. <https://www.bosch-home.com/> but with the direct page with the warranty terms)

**Series 4, fully-integrated dishwasher,
45 cm, Variable hinge for special
installation situations
SPH4EMX28E**

measurements in mm



measurements in mm



socket
() values with extension kit