

**Series 8, fully-integrated dishwasher,  
60 cm  
SMV8YCX03E**



**Give feedback on your washing and drying results via the app and the Intelligent Programme adapts to your needs.**

- **PerfectDry based on Zeolith technology:** perfect drying results with less energy usage even on difficult to dry dishes.
- **Intelligent Programme:** Individually adapts the washing and drying cycle based on your feedback.
- **Max Flex Pro baskets:** highest flexibility and protection for your dishes, with superior sliding performance.
- **Silence Plus:** remarkably quiet at 43dB.
- **Home Connect:** home appliances with smart connectivity for an easier everyday life.

- SGZ1010 inlet and outlet hose extension
- SGZ8BI00 Connection rail for divided furniture
- SMZ1051EU Mains cable with EU-Plug 5m
- SMZ2014 Rack insert for stemware dishwasher
- SMZ2056 Attachment door, stainless steel
- SMZ5000 Dishwashing aid set
- SMZ5003 Retractable hinge f. high corpus dimens.
- SMZ5035 Decor conversion kit, stainless steel
- SMZ5100 Vario-cutlery basket
- SMZ5300 GlassSecure Tray
- SGZ0BI01 decorative strips stainless steel 81,5cm
- SGZ0IC00 Small Item Clip for upper rack

Energy Efficiency Class (Regulation (EU) 2017/1369):	..... B
Energy Consumption for 100 cycles Eco Programme:	..... 65 kWh
Maximum number of place settings:	..... 14
The water consumption of the eco programme in liters per cycle:	9.5 l
Programme duration:	..... 3:55 h
Airborne acoustical noise emissions :	.....43 dB(A) re 1 pW
Airborne acoustical noise emission class:	.....B
Cleaning performance:	.....A
Water consumption:	.....9.5 l
Total annual energy consumption 220 days:	..... 163 kWh
Total annual water consumption 220 days:	.....2090 l
Built-in / Free-standing:	..... Built-in
Removable top:	..... No
Door panel options:	..... Not possible
Height of removable worktop:	..... 0 mm
Height of the appliance:	..... 815 mm
Adjustable feet:	..... Yes - all from front
Maximum adjustability feet:	..... 60 mm
Adjustable plinth:	..... Both horizontal and vertical
Net weight:	.....45.1 kg
Gross weight:	..... 47.0 kg
Connection rating:	..... 2400 W
Fuse protection:	.....10 A
Voltage:	..... 220-240 V
Frequency:	..... 50; 60 Hz
Length electrical supply cord:	..... 175.0 cm
Plug type:	..... Gardy plug w/ earthing
Length inlet hose:	..... 165 cm
Length outlet hose:	..... 190 cm
Hidden heating element:	..... Yes
Water protection system description:	..... Triple water protection 24h
Child safety devices:	..... No
Water softener:	..... Yes
Top basket type:	..... R4
Adjustable upper basket:	..... Rackmatic 3-stage
Bottom basket type:	..... R4
3rd Rack:	..... VarioDrawer Pro
Optional accessories:	..... SGZ1010, SGZ8BI00, SMZ1051EU, SMZ2014, SMZ2056, SMZ5000, SMZ5003, SMZ5035, SMZ5100, SMZ5300, SGZ0BI01, SGZ0IC00
Included accessories 2:	..... Vapor barrier plate
Number of place settings:	..... 14
Dimensions of the product (HxWxD):	.....815 x 598 x 550 mm
Dimensions of the packed product (HxWxD):	..... 880 x 660 x 670 mm



## Series 8, fully-integrated dishwasher, 60 cm SMV8YCX03E

**Give feedback on your washing and drying results via the app and the Intelligent Programme adapts to your needs.**

---

### **BOSCH - Header 1**

- Energy Efficiency Class<sup>1</sup>: B
- Energy<sup>2</sup> / Water<sup>3</sup>: 65 kWh / 9.5 litres
- Capacity: 14 place settings
- Programme duration<sup>4</sup>: 3:55 (h:min)
- Noise level: 43 dB(A) re 1 pW
- Noise Efficiency Class: B
- Noise level (silence programme): 41 dB(A) re 1 pW

### **BOSCH - Header 2**

- Favourite Program
- 5 special options: Remote Start, Extra Dry, Intensive Zone, Hygiene+, SpeedPerfect+
- Machine Care
- Silence on Demand (via app)

### **BOSCH - Header 3**

- Zeolite-Drying
- AquaSensor
- DosageAssist
- EcoSilence Drive
- Detergent Automation
- Self-cleaning filter system with 3-fold corrugated filter
- Interior tub material: Stainless Steel

### **BOSCH - Header 4**

- Max Flex Pro Baskets with red coloured touchpoints
- Extra Clean Zone
- VarioDrawer Pro
- Rackmatic height-adjustable top basket (3 stage)
- Easy Slide pullout system on upper rack
- Low friction wheels on bottom basket
- Colored anti-slip protection strips in upper rack
- Rack Stopper to prevent derailing of bottom basket
- 6 foldable plate racks in top basket
- 8 FlexTines in bottom basket
- 2 cup shelves with soft silicone front part in top basket
- 2 cup shelves in bottom basket
- Glass rack in bottom basket

### **BOSCH - Header 5**

- Home Connect enabled via WLAN
- inside
- Touch Control (metallic)
- EmotionLight
- Push button top controls
- Panel legend: Plain text (english)
- TimeLight
- Real-time clock
- Acoustic end of cycle indicator
- Electronic delay timer: 1-24 hours

### **BOSCH - Header 6**

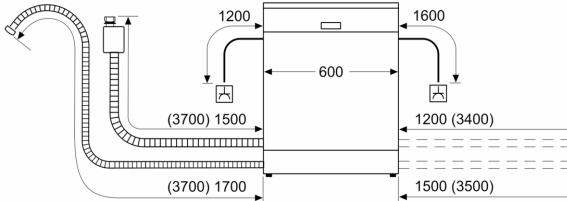
- AquaStop: Bosch warranty in case of water damage – for the lifetime of the appliance.\*
- Precise glass protection technology

**BOSCH - Header 7**

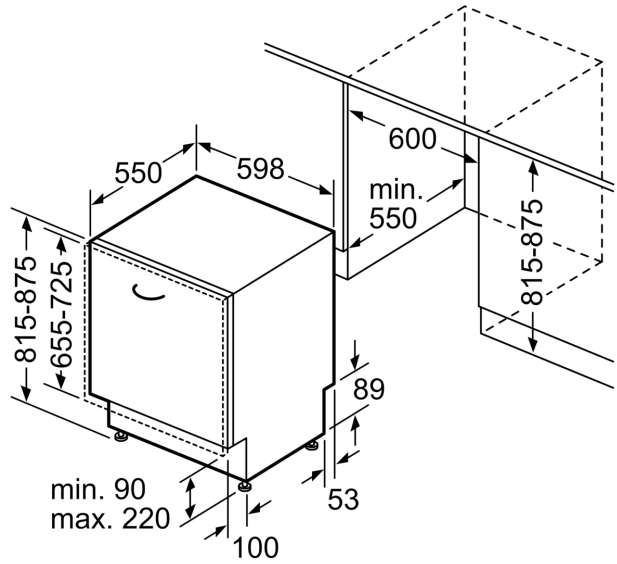
- incl. salt filling funnel

**Series 8, fully-integrated dishwasher,  
60 cm  
SMV8YCX03E**

measurements in mm



⌚ socket  
( ) values with extension kit



measurements in mm