

**Series 2, fully-integrated dishwasher,
60 cm
SMV2ITX48E**



Connected dishwasher with noise reduction at any time via the Home Connect App.

- **ExtraDry:** selectable option for additional drying.
- **Height Adjustable Top Basket:** offers extra space, especially for tall dishes.
- **Home Connect:** home appliances with smart connectivity for an easier everyday life.
- **InfoLight:** a red infolight on the floor indicates whether the dishwasher is switched on or off.
- **AquaStop:** Bosch's warranty in case of water damage – throughout the lifetime of the appliance.*

- SGZ0BI02 decorative strips stainless steel 81,5cm
- SGZ0IC00 Small Item Clip for upper rack
- SGZ1010 inlet and outlet hose extention
- SGZ8BI00 Connection rail for divided furniture
- SMZ1051EU Mains cable with EU-Plug 5m
- SMZ2014 Rack insert for stemware dishwasher
- SMZ2056 Attachment door, stainless steel
- SMZ5003 Retractable hinge f. high corpus dimens.
- SMZ5035 Decor conversion kit, stainless steel
- SMZ5300 GlassSecure Tray

Energy Efficiency Class (Regulation (EU) 2017/1369): E
 Energy Consumption for 100 cycles Eco Programme: 92 kWh
 Maximum number of place settings: 12
 The water consumption of the eco programme in liters per cycle: 9.5 l
 Programme duration: 4:10 h
 Airborne acoustical noise emissions :46 dB(A) re 1 pW
 Airborne acoustical noise emission class:C
 Cleaning performance:A
 Water consumption:9.5 l
 Total annual energy consumption 220 days: 224 kWh
 Total annual water consumption 220 days:2090 l
 Built-in / Free-standing: Built-in
 Removable top: No
 Door panel options: Not possible
 Height of removable worktop: 0 mm
 Height of the appliance: 815 mm
 Adjustable feet: Yes - all from front
 Maximum adjustability feet: 60 mm
 Adjustable plinth: Both horizontal and vertical
 Net weight: 34.7 kg
 Gross weight: 36.8 kg
 Connection rating: 2400 W
 Fuse protection:10 A
 Voltage: 220-240 V
 Frequency: 50; 60 Hz
 Length electrical supply cord: 175.0 cm
 Plug type: Gardy plug w/ earthing
 Length inlet hose: 165 cm
 Length outlet hose: 190 cm
 Hidden heating element: Yes
 Water protection system description: Triple water protection 24h
 Child safety devices: No
 Water softener: Yes
 Top basket type: low
 Adjustable upper basket: Single
 Bottom basket type: low
 3rd Rack: None
 Optional accessories: SGZ0BI02, SGZ0IC00, SGZ1010, SGZ8BI00, SMZ1051EU, SMZ2014, SMZ2056, SMZ5003, SMZ5035, SMZ5300
 Included accessories 2: Vapor barrier plate
 Number of place settings: 12
 Dimensions of the product (HxWxD):815 x 598 x 550 mm
 Dimensions of the packed product (HxWxD): 880 x 660 x 670 mm



Series 2, fully-integrated dishwasher, 60 cm SMV2ITX48E

Connected dishwasher with noise reduction at any time via the Home Connect App.

- Energy Efficiency Class¹: E
- Energy² / Water³: 92 kWh / 9.5 litres
- Capacity: 12 place settings
- Programme duration⁴: 4:10 (h:min)
- Noise level: 46 dB(A) re 1 pW
- Noise Efficiency Class: C

BOSCH - Header 1

- Home Connect enabled via WLAN

BOSCH - Header 2

- 5 programmes: Eco 50 °C, Auto 45-65 °C, Intensive 70 °C, Express 65 °C, Pre-Rinse
- Favourite Program
- 3 special options: Remote Start, Extra Dry, Half Load
- Machine Care
- Silence on Demand (via app)

BOSCH - Header 3

- AquaSensor
- DosageAssist
- EcoSilence Drive
- Detergent Automation
- Self-cleaning filter system with 3-fold corrugated filter
- Interior tub material: Stainless Steel/Polinox

BOSCH - Header 4

- Vario basket system
- Low friction wheels on bottom basket
- Rack Stopper to prevent derailing of bottom basket
- Height adjustable top basket
- 2 foldable plate racks in bottom basket
- No
- Cutlery basket in bottom basket
- no

BOSCH - Header 5

- Push button top controls
- Panel legend: Plain text (english)
- InfoLight (red)

BOSCH - Header 6

- AquaStop: Bosch warranty in case of water damage – for the lifetime of the appliance.*
- Glass protection technology
- Incl. Steam protection plate

BOSCH - Header 7

- Product dimensions (HxWxD): 81.5 x 59.8 x 55 cm

BOSCH - Header 8

¹ Scale of Energy Efficiency Classes from A to G

² Energy consumption in kWh per 100 cycles (in programme Eco 50 °C)

³ Water consumption in litres per cycle (in programme Eco 50 °C)

⁴ Duration of programme Eco 50 °C

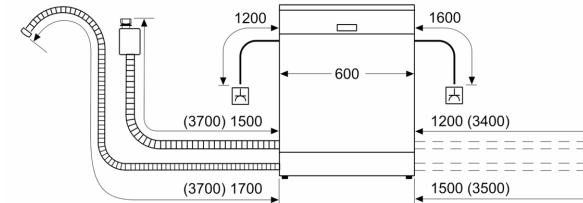
* Please find warranty terms under [please insert here the local URL (internet address, e.g. <https://www.bosch-home.com/> but with the



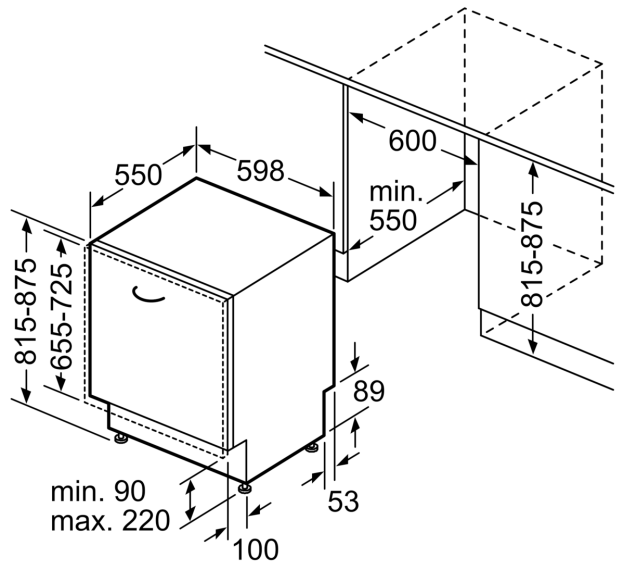
direct page with the warranty terms)

**Series 2, fully-integrated dishwasher,
60 cm
SMV2ITX48E**

measurements in mm



⚡ socket
() values with extension kit



measurements in mm