

**Series 2, fully-integrated dishwasher,
60 cm
SGV2HVX20E**



- **ExtraDry:** selectable option for additional drying.
- **Rackmatic:** top basket adjustable on three levels offers additional space, especially for tall dishes.
- **InfoLight:** a red infolight on the floor indicates whether the dishwasher is switched on or off.
- **EcoSilence Drive:** especially energy-saving and silent in operation with a particularly high life span.

Technical Data

Energy Efficiency Class (Regulation (EU) 2017/1369): E
 Energy Consumption for 100 cycles Eco Programme (EU 2017/1369): 94 kWh
 Maximum number of place settings (EU 2017/1369): 13
 The water consumption of the eco programme in liters per cycle (EU 2017/1369): 9.5 l
 Programme duration (EU 2017/1369): 3:45 h
 Airborne acoustical noise emissions (EU 2017/1369): 46 dB(A) re 1 pW
 Airborne acoustical noise emission class (EU 2017/1369): C
 Cleaning performance: A
 Water consumption: 9.5 l
 Total annual water consumption 220 days: 2090 l
 Built-in / Free-standing: Built-in
 Removable top: No
 Door panel options: Not possible
 Height of removable worktop: 0 mm
 Height of the product: 815 mm
 Adjustable feet: Yes - all from front
 Maximum adjustability feet: 60 mm
 Net weight: 36.0 kg
 Gross weight: 38.1 kg
 Connection Rating: 2400 W
 Fuse protection: 10 A
 Voltage: 220-240 V
 Frequency: 50; 60 Hz
 Length electrical supply cord: 175 cm
 Plug type: GARDY plug w/ earthing
 Length inlet hose: 165 cm
 Length outlet hose: 190 cm
 Hidden heating element: Yes
 Water protection system description: Triple water protection 24h
 Water softener: Yes
 Top basket type: low
 Adjustable upper basket: Rackmatic 3-stage
 Bottom basket type: low
 3rd Rack: 3rd Rack 1.0
 Optional accessories: SMZ5001, SMZ5003, SMZ5006, SMZ5100, SMZ5300, SGZ0IC00, SGZ1010, SGZ8BI00, SMZ1051EU, SMZ2014, SMZ2056, SMZ5000
 Included accessories 2: vapor barrier plate
 Number of place settings: 13
 Color / Material panel: Black
 Dimensions of the product (HxWxD): 815 x 598 x 550 mm
 Dimensions of the packed product (HxWxD): 880 x 670 x 660 mm



Series 2, fully-integrated dishwasher, 60 cm SGV2HVX20E

² Energy consumption in kWh per 100 cycles (in programme Eco 50 °C)

³ Water consumption in litres per cycle (in programme Eco 50 °C)

⁴ Duration of programme Eco 50 °C

* Please find warranty terms under [please insert here the local URL (internet address, e.g. <https://www.bosch-home.com/> but with the direct page with the warranty terms)

BOSCH - Header 1

- Energy Efficiency Class¹: E
- Energy² / Water³: 94 kWh / 9.5 litres
- Capacity: 13 place settings
- Programme duration⁴: 3:45 (h:min)
- Noise level: 46 dB(A) re 1 pW
- Noise Efficiency Class: C

BOSCH - Header 2

- 4 programmes: Eco 50 °C, Auto 45-65 °C, Intensive 70 °C, Express 65 °C
- 2 special options: Extra Dry, SpeedPerfect+
- Machine Care

BOSCH - Header 3

- Heat exchanger.
- AquaSensor
- DosageAssist
- EcoSilence Drive
- Detergent Automation
- Self-cleaning filter system with 3-fold corrugated filter
- Interior tub material: Stainless Steel/Polinox

BOSCH - Header 4

- Vario basket system
- VarioDrawer
- Rackmatic height-adjustable top basket (3 stage)
- Low friction wheels on bottom basket
- Rack Stopper to prevent derailing of bottom basket
- 2 foldable plate racks in bottom basket
- 2 lever (long/short)

BOSCH - Header 5

- Push button top controls
- Panel legend: Plain text (english)
- InfoLight (red)
- Acoustic end of cycle indicator

BOSCH - Header 6

- AquaStop: Bosch warranty in case of water damage – for the lifetime of the appliance.*
- Glass protection technology

BOSCH - Header 7

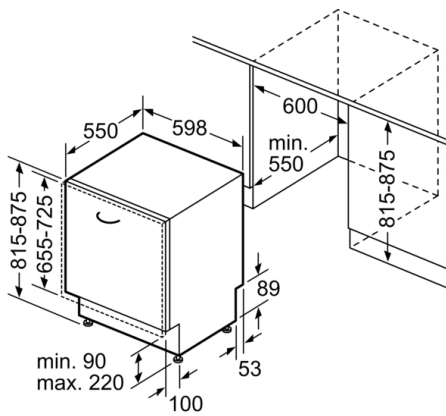
- Incl. Steam protection plate

BOSCH - Header 8

- Product dimensions (HxWxD): 81.5 x 59.8 x 55 cm

¹ Scale of Energy Efficiency Classes from A to G

Series 2, fully-integrated dishwasher, 60 cm SGV2HVX20E



measurements in mm

