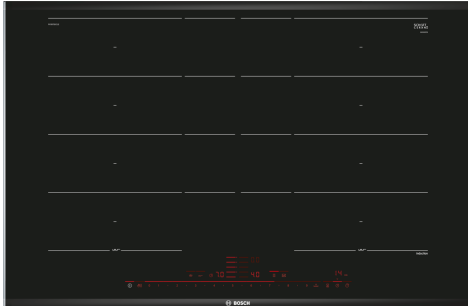


## Series 8, Flex induction hob, 80 cm, , PXY875DC1E



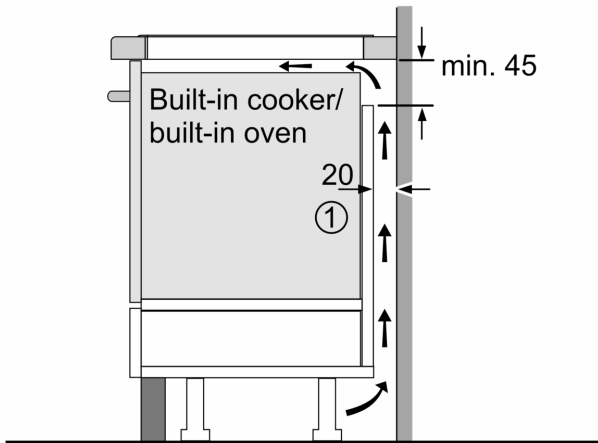
HEZ390011 Stainless Steel roaster with glas lid, HEZ390012 Steaming Rack for Stainless Steel roaste, HEZ390090 Wok Set consisting of 3 Items, HEZ390210 System pan diameter 15 cm, HEZ390220 System pan diameter 19 cm, HEZ390230 System pan diameter 21cm, HEZ390250 System pan diameter 28 cm, HEZ390512 Teppan Yaki (large), HEZ390522 Griddle Plate, HEZ394301 Connecting strip, HEZ9ES100 Espresso maker 4 cups, HEZ9FE280 Iron pan Ø 18 / 28 cm, HEZ9FF010 Flex Pan, large, HEZ9FF030 Flex Pan set, 3 pcs., HEZ9FF040 Flex Pan set, 4 pcs., HEZ9SE040 4 pieces Set, HEZ9SE060 6 pieces Set, HEZ9TY010 Teppan Yaki, HZ390011 Stainless Steel roaster with glas lid

- **DirectSelect Premium:** Direct, simple selection of the desired cooking zone, power and additional functions.
- **Expanded FlexInduction Zone:** Even more flexibility by connecting the cooking zones into one big zone, which you can make even larger for the big pots.
- **PerfectFry:** For perfect browning of roasted foods thanks to sensor control with 5 power levels.
- **ComfortProfil:** Elegant, appealing design with bevelled front and metal strips on the side.
- **MoveMode:** the automatic setting of cooking levels allows fast boiling on the front, cooking on the middle and simmering on the rear cooking zone.

Product name/family: ..... Cooking zone ceramic  
 Built-in / Free-standing: ..... Built-in  
 Energy input: ..... Electric  
 Total number of positions that can be used at the same time: ..... 4  
 Min. required niche size for installation (HxWxD): ..... 51 x 750-780 x 490-500 mm  
 Width of the appliance: ..... 816 mm  
 Dimensions: ..... 51 x 816 x 527 mm  
 Dimensions of the packed product (HxWxD): ..... 126 x 953 x 603 mm  
 Net weight: ..... 15.8 kg  
 Gross weight: ..... 19.6 kg  
 Residual heat indicator: ..... yes  
 Location of control panel: ..... Front  
 Basic surface material: ..... Ceramic  
 Color of surface: ..... Black, Alu, brushed  
 Length electrical supply cord: ..... 110.0 cm  
 Sealed Burners: ..... No  
 Power Boost: ..... All cooking zones  
 Power of 2nd heating element (kW): ..... 3.3 kW  
 Power of heating element (kW in boost): ..... [3.7] kW  
 Power of 6th heating element (kW in boost): ..... 3.7 kW  
 Connection rating: ..... 7400 W  
 Voltage: ..... 220-240 V  
 Frequency: ..... 60; 50 Hz  
 Energy input: ..... Electric  
 Plug type: ..... No plug (electrical connection by electrician)  
 Appliance Dimensions (h x w x d) (in): ..... x x  
 Dimensions of the packed product: ..... 4.96 x 23.74 x 37.51  
 Net weight: ..... 35.000 lbs  
 Gross weight: ..... 43.000 lbs  
 Total number of positions that can be used at the same time: ..... 4  
 Length electrical supply cord: ..... 110.0 cm  
 Min. required niche size for installation (HxWxD): ..... 51 x 750-780 x 490-500 mm  
 Dimensions: ..... 51 x 816 x 527 mm  
 Dimensions of the packed product (HxWxD): ..... 126 x 953 x 603 mm  
 Net weight: ..... 15.8 kg  
 Gross weight: ..... 19.6 kg

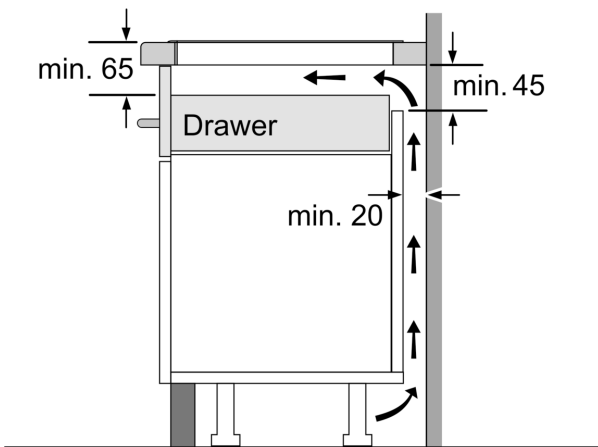


**Series 8, Flex induction hob, 80 cm , ,  
PXY875DC1E**

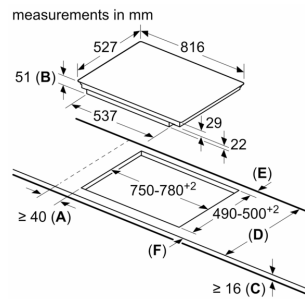


①  
Ventilation gap must  
be present

All measurements in mm



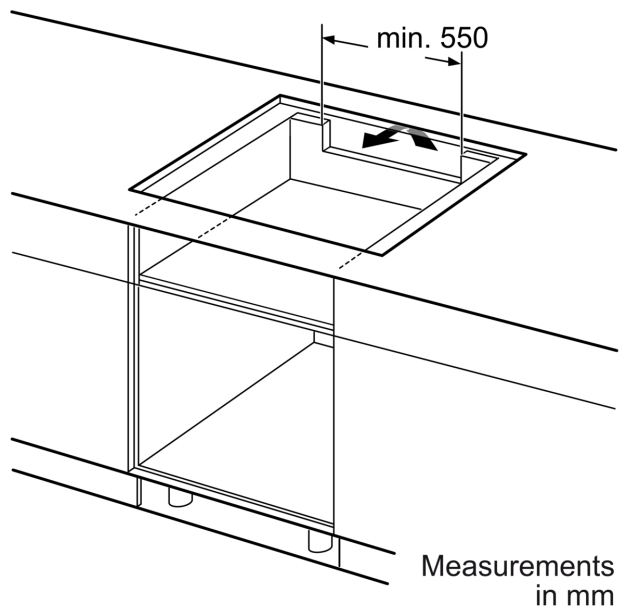
Measurements in mm



- A:** Minimum distance from the hob cut-out to the wall.
- B:** Recessed depth
- C:** The clearance between the surface of the worktop and the top of the front of the oven must be 30 mm. See space requirements for the oven.

The worktop into which the hob is installed must withstand loads of approx. 60 kg; suitable substructures must be used if required.

D	E	F
585-600	50	≥ 35
> 600	≥ 50	≥ 50



Measurements  
in mm