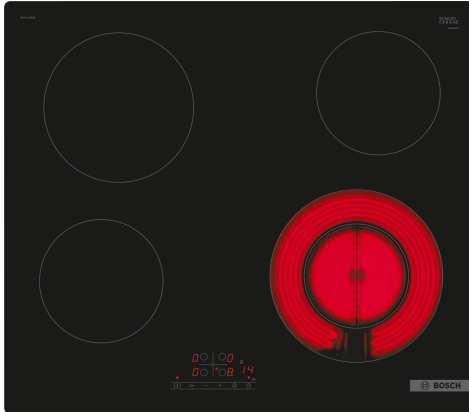


Series 4, Electric hob, 60 cm, , PKF611BB2E



- **TouchSelect:** Selection of the desired cooking zone and easy setting of the desired power level.
- **The 21 cm cooking zone:** extendable cooking zone.
- **If you turn off the cooktop it saves the last selected setting for a short time. If the cooktop is switched off within a short time again the former settings are still available.**
- **Timer with switch-off function:** Turns off the assigned cooking zone after the set time.
- **ChildLock:** locks the control panel to prevent accidental changes in settings.

HEZ32WA00 Wireless food thermometer
 HEZ392617 Intermediate bottom
 HEZ9FE280 Iron pan Ø 18 / 28 cm
 HEZ9SE030 Set of 2 pots and 1 pan

Product name/family: Cooking zone ceramic
 Built-in / Free-standing: Built-in
 Energy input: Electric
 Total number of positions that can be used at the same time: 4
 Min. required niche size for installation (HxWxD):45 x 560-560 x 490-500 mm
 Width of the appliance:592 mm
 Dimensions: 45 x 592 x 522 mm
 Dimensions of the packed product (HxWxD): 100 x 750 x 590 mm
 Net weight:7.4 kg
 Gross weight:8.1 kg
 Residual heat indicator:yes
 Location of control panel: Front
 Basic surface material:Ceramic
 Color of surface:Black
 Sealed Burners: No
 Power of heating element (kW):1.2 kW
 Power of 3rd heating element (kW): 2 kW
 Power of 5th heating element (kW): 1.2 kW
 Connection rating: 6600 W
 Voltage: 220-240 V
 Frequency: 50; 60 Hz
 Energy input:Electric
 Plug type:No plug (electrical connection by electrician)
 Appliance Dimensions (h x w x d) (in): x x
 Dimensions of the packed product: 3.93 x 23.22 x 29.52
 Net weight:16.000 lbs
 Gross weight: 18.000 lbs
 Total number of positions that can be used at the same time: 4
 Min. required niche size for installation (HxWxD):45 x 560-560 x 490-500 mm
 Dimensions: 45 x 592 x 522 mm
 Dimensions of the packed product (HxWxD): 100 x 750 x 590 mm
 Net weight:7.4 kg
 Gross weight:8.1 kg



Series 4, Electric hob, 60 cm, , PKF611BB2E

- 60 cm: space for 4 pots or pans.

Flexibility of cooking zones

- Dual zone: use regular or larger cookware on the expandable cooking zone.

Usage convenience

- 17 power levels: precisely adapt the heat with 17 power levels (9 main levels and 8 intermediate levels).

Time saving & efficiency

- ReStart Function: in case of unintentional switch-off, restore all previous settings by switching on the hob again within 4 seconds.

Design

- frameless

Safety

- 2 stage residual heat indicator: indicates which cooking zones are still hot or warm.

- Childproof lock: prevent unintended activation of the hob.

- Main switch: switch off all cooking zones at the touch of a button.

- Power on indicator light: indicates if the hob is heating.

- Safety switch-off: for safety reasons, heating stops after a preset time without interaction (customizable).

Installation

- Dimensions of the product (HxWxD mm): 45 x 592 x 522

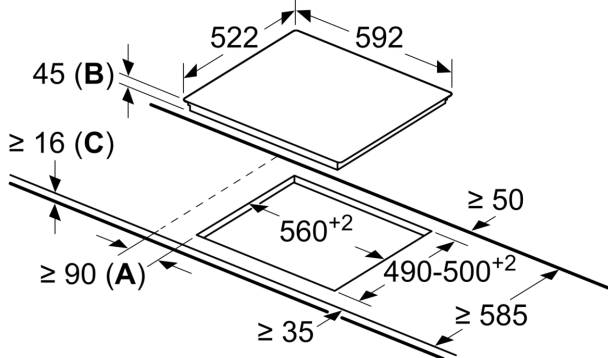
- Required niche size for installation (HxWxD mm) : 45 x 560 x (490 - 500)

- Min. worktop thickness: 16 mm

- Connected load: 6600 W

**Series 4, Electric hob, 60 cm, ,
PKF611BB2E**

measurements in mm



- A:** Minimum distance from the hob cut-out to the wall.
- B:** Recessed depth
- C:** With fitted oven underneath min. 20, possibly more; see space requirements for the oven.