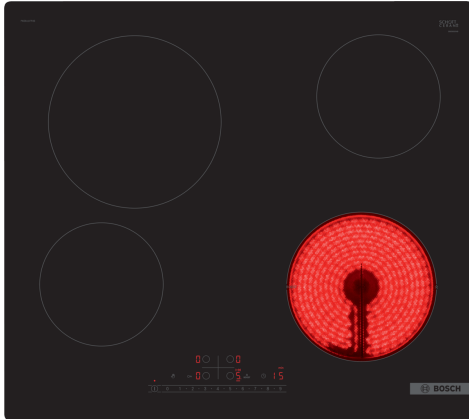


## Series 6, Electric hob, 60 cm, , PKE611FP2E



- **DirectSelect:** Direct, simple selection of the desired cooking zone, power and additional functions.
- **PowerBoost:** selectable boost in power output for a 20% shorter time to boiling.
- **If you turn off the cooktop it saves the last selected setting for a short time. If the cooktop is switched of within a short time again the former settings are still available.**
- **Timer with switch-off function:** Turns off the assigned cooking zone after the set time.
- **ChildLock:** locks the control panel to prevent accidental changes in settings.

- HEZ32WA00 Wireless food thermometer
- HEZ390090 Wok Set consisting of 3 Items
- HEZ392617 Intermediate bottom
- HEZ9SE030 Set of 2 pots and 1 pan

Product name/family: ..... Cooking zone ceramic  
 Built-in / Free-standing: ..... Built-in  
 Energy input: ..... Electric  
 Total number of positions that can be used at the same time: ..... 4  
 Min. required niche size for installation (HxWxD): ..... 45 x 560-560 x 490-500 mm  
 Width of the appliance: ..... 592 mm  
 Dimensions: ..... 45 x 592 x 522 mm  
 Dimensions of the packed product (HxWxD): ..... 100 x 750 x 590 mm  
 Net weight: ..... 7.4 kg  
 Gross weight: ..... 8.1 kg  
 Residual heat indicator: ..... yes  
 Location of control panel: ..... Front  
 Basic surface material: ..... Ceramic  
 Color of surface: ..... Black  
 Sealed Burners: ..... No  
 Power Boost: ..... Cooking zone front right  
 Power of heating element (kW): ..... 1.2 kW  
 Power of 3rd heating element (kW): ..... 2.2 kW  
 Power of 5th heating element (kW): ..... 1.2 kW  
 Connection rating: ..... 6900 W  
 Voltage: ..... 220-240 V  
 Frequency: ..... 50; 60 Hz  
 Energy input: ..... Electric  
 Plug type: ..... No plug (electrical connection by electrician)  
 Appliance Dimensions (h x w x d) (in): ..... x x  
 Dimensions of the packed product: ..... 3.93 x 23.22 x 29.52  
 Net weight: ..... 16.000 lbs  
 Gross weight: ..... 18.000 lbs  
 Total number of positions that can be used at the same time: ..... 4  
 Min. required niche size for installation (HxWxD): ..... 45 x 560-560 x 490-500 mm  
 Dimensions: ..... 45 x 592 x 522 mm  
 Dimensions of the packed product (HxWxD): ..... 100 x 750 x 590 mm  
 Net weight: ..... 7.4 kg  
 Gross weight: ..... 8.1 kg



## Series 6, Electric hob, 60 cm, , PKE611FP2E

---

- 60 cm: space for 4 pots or pans.

### **Flexibility of cooking zones**

- Cooking zone front right: 180 mm, 2 KW (max. power 2.3 KW)

### **Usage convenience**

- 17 power levels: precisely adapt the heat with 17 power levels (9 main levels and 8 intermediate levels).

### **Time saving & efficiency**

- PowerBoost function in the front right: boil water more quickly thanks to 20% more energy than at the highest standard level.
- ReStart Function: in case of unintentional switch-off, restore all previous settings by switching on the hob again within 4 seconds.

### **Design**

- frameless

### **Safety**

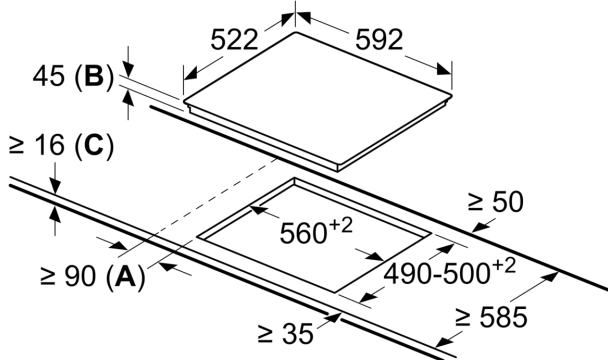
- 2 stage residual heat indicator: indicates which cooking zones are still hot or warm.
- Childproof lock: prevent unintended activation of the hob.
- Wipe protection function: wipe overboiled liquids without unintentionally changing settings (blocking all touch buttons for 30 seconds).
- Main switch: switch off all cooking zones at the touch of a button.
- Power on indicator light: indicates if the hob is heating.
- Safety switch-off: for safety reasons, heating stops after a preset time without interaction (customizable).
- Energy consumption display: shows the electricity consumption of the last cooking process.

### **Installation**

- Dimensions of the product (HxWxD mm): 45 x 592 x 522
- Required niche size for installation (HxWxD mm) : 45 x 560 x (490 - 500)
- Min. worktop thickness: 16 mm
- Connected load: 6900 W

**Series 6, Electric hob, 60 cm, ,  
PKE611FP2E**

measurements in mm



- A:** Minimum distance from the hob cut-out to the wall.
- B:** Recessed depth
- C:** With fitted oven underneath min. 20, possibly more; see space requirements for the oven.