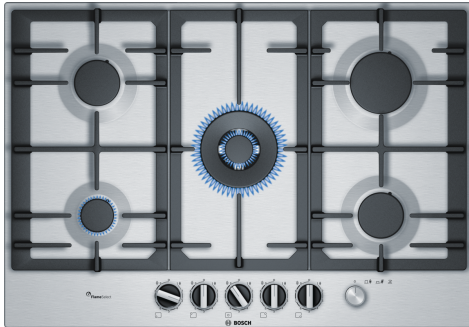


**Series 6, Gas hob, 75 cm, Stainless steel
PCQ7A5M90**



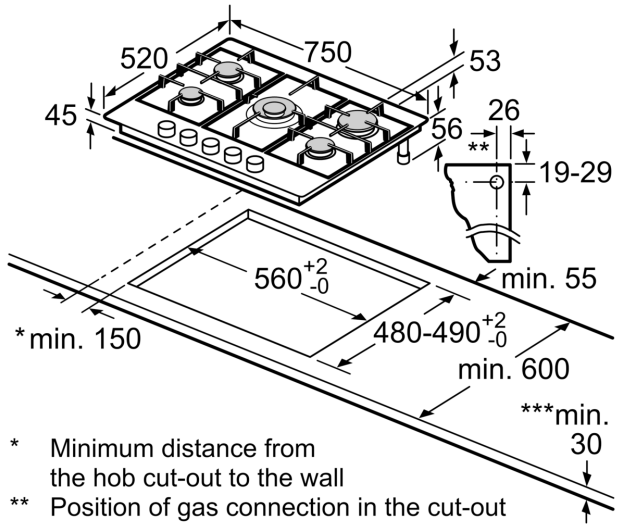
- HEZ211310 Simmer cap
- HEZ298105 Simmer plate
- HEZ298107 Wok ring
- HEZ298115 Small pot support

The stainless-steel gas hob with FlameSelect: achieve perfect cooking results thanks to nine precisely defined power levels.

- **FlameSelect:** adjust the gas flame precisely using nine defined levels.
- **Mainswitch:** switches off the hob completely at the touch of a button.
- **Wok burner:** powerful cooking at up to 4 kW (depending on gas type).
- **Continuous cast-iron pan support:** for high firmness and stability of cookware.
- **Biomethane-ready:** your gas hob can also be powered with renewable biomethane gas.

Product name/family:gas hob w integrated controls
 Built-in / Free-standing: Built-in
 Energy input:Gas
 Total number of positions that can be used at the same time: 5
 Type of control setting devices: sword knobs
 Min. required niche size for installation (HxWxD):45 x 560-562 x 480-492 mm
 Width of the appliance: 750 mm
 Dimensions: 53 x 750 x 520 mm
 Dimensions of the packed product (HxWxD): 145 x 793 x 597 mm
 Net weight: 14.0 kg
 Gross weight: 15.5 kg
 Residual heat indicator:No
 Location of control panel: Front
 Basic surface steel material: Stainless steel
 Color of surface: Stainless steel
 Length electrical supply cord: 100.0 cm
 Knob Material:Plastic
 Sealed Burners: No
 Type of pan support: Elongated cast iron pan support
 Power of heating element (kW): 1 kW
 Power of 3rd heating element (kW): 1.75 kW
 Power of 5th heating element (kW): 3 kW
 Connection rating: 1 W
 Gas connection rating: 11500 W
 Fuse protection:3 A
 Voltage: 220-240 V
 Frequency: 50; 60 Hz
 Energy input:Gas
 Gas type: Nat gas H/E/(L) 20 (25) mbar
 Alternative gas type: Liquid gas G30,31 28-30/37mbar
 Plug type:No plug (electrical connection by electrician)
 Appliance Dimensions (h x w x d) (in): x x
 Dimensions of the packed product: 5.70 x 23.50 x 31.22
 Net weight:31.000 lbs
 Gross weight: 34.000 lbs
 Total number of positions that can be used at the same time: 5
 Length electrical supply cord: 100.0 cm
 Min. required niche size for installation (HxWxD):45 x 560-562 x 480-492 mm
 Dimensions: 53 x 750 x 520 mm
 Dimensions of the packed product (HxWxD): 145 x 793 x 597 mm
 Net weight: 14.0 kg
 Gross weight: 15.5 kg

Series 6, Gas hob, 75 cm, Stainless steel
PCQ7A5M90



- * Minimum distance from the hob cut-out to the wall
 - ** Position of gas connection in the cut-out
 - *** With fitted oven underneath, possibly more; see space requirements for the oven
- measurements in mm