

**Series 4, built-under fridge, 82 x 60 cm, flat hinge
KUR21VFE0**



KFZ10AX0 Door panel with decor frame
KUZ20SX0 Attachment door, stainless steel

- **Super Cooling function:** cools new food placed inside faster, thus protecting already cooled food.
- **SuperCooling quickly chills food and beverages with a touch of a button**
- **Connectivity: remotely monitor and control your fridge from your smartphone or tablet.**
- **Home Connect brings smart technology to your Bosch Refrigerator**
- **LED lighting: keep your groceries in perfect view.**

Gross weight: 69.000 lbs
 Energy Efficiency Class (Regulation (EU) 2017/1369): E
 Average annual energy consumption in kilowatt hour per year (kWh/a) (EU) 2017/1369: 93 kWh/annum
 Sum of volume of frozen compartments (EU 2017/1369): 0 l
 Sum of volume of chill- and unfrozen compartments (EU 2017/1369): 134 l
 Airborne acoustical noise emissions (EU 2017/1369): .35 dB(A) re 1 pW
 Airborne acoustical noise emission class (EU 2017/1369): B
 Built-in / Free-standing: Built-in
 Number of compressors: 1
 Number of independent cooling systems: 1
 Width of the appliance: 598 mm
 Height: 820 mm
 Depth of the product: 548 mm
 Net weight: 28.5 kg
 Min. required niche size for installation (HxWxD):820 x 600 x 550 mm
 Door panel options: Not possible
 Door hinge: Right reversible
 Number of Adjustable Shelves in fridge compartment: 3
 Shelves for Bottles: No
 Frost free system: No
 Interior ventilator: No
 Reversible Door Hinge: Yes
 Length electrical supply cord: 230.0 cm
 Multi-Flow Air Tower: No
 Economy setting: Yes
 Fast cooling switch: Yes
 Temperature Controlled Drawer: No
 Humidity Control Drawer: No
 Number of Door Bins - Refrigerator: 2
 Door bin adjustability - Refrigerator: No
 Tilt-out door bins in fridge: No
 Gallon wide door bins: Yes
 Number of Gallon storage: 1
 Motorized Shelf: No
 Material of the shelves: Glas
 Door opened indicator freezer: No
 Fuse protection: 10 A
 Voltage: 220-240 V
 Frequency: 50 Hz
 Door panel options: Not possible
 Installation typology: Built-under
 Energy Star Qualified: No
 Plug type: Gardy plug w/ earthing
 Required cutout/niche size for installation (in): x
 Dimensions of the packed product: 35.03 x 25.19 x 25.19
 Net weight: 63.000 lbs



Series 4, built-under fridge, 82 x 60 cm, flat hinge KUR21VFE0

Performance and consumption

- EU19_EEK_D: E
- Total Volume : 134 l
- Annual Energy Consumption: 93 kWh/a
- Climate Class: SN-T
- Noise Level : 35 dB

Design and Styling

- LED with Soft Start

Convenience & Safety

- LED electronic control
- Optical and acoustic door open warning system
- Holiday mode
- Economy setting
- Remote Monitoring and Control, iService Remote
- Super Cooling: automatic deactivation
- Automatic defrost in fridge section
- Easy clean interior

Fridge Compartment

- Net Fridge Volume : 134 l
- 2 door bins
- Bottle holder in x-deep door tray

Freshness System

Technical Information

- Door right hinged, reversible
- can be built under
- Ventilation in plinth, no cut-out in the worksurface necessary
- Nominal voltage: 220 - 240 V

Dimensions

- Niche Dimension (H x W x D): 82.0 cm x 60.0 cm x 55.0 cm
- Dimensions (H x W x D): 82.0 cm x 59.8 cm x 54.8 cm

Accessories

- egg tray

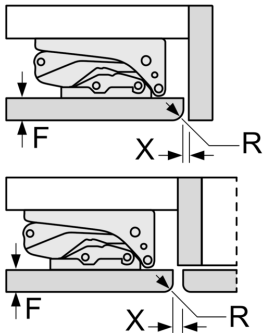
Country Specific Options

- Based on the results of the standard 24-hour test. Actual consumption depends on usage/position of the appliance.

General Information

**Series 4, built-under fridge, 82 x 60 cm, flat hinge
KUR21VFE0**

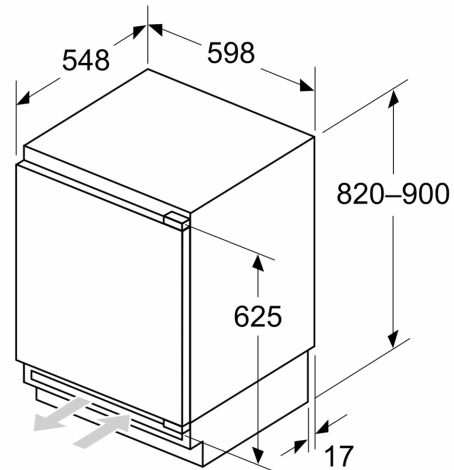
measurements in mm
Recommended gap dimensions for flat hinges



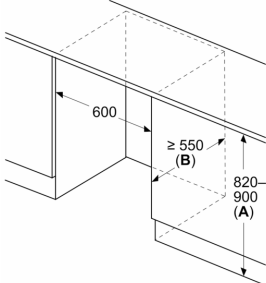
F	R	X
16-19	0-3	2.5
20	0-1	3
	2-3	2.5
21	0-1	3
	2-3	2.5
22	0	4
	1	3.5
	2-3	3

The gap dimensions recommended in the table must be adhered to in order to ensure that appliance doors do not collide with anything when they are opened, and to avoid causing damage to kitchen units.

Measurements in mm



Measurements in mm

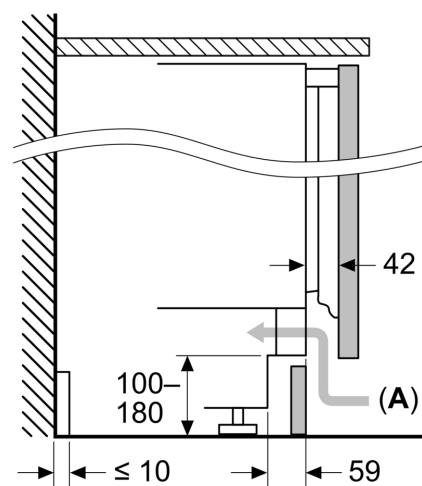


A: Substructure height

B: ≥ 560 mm (recommended)

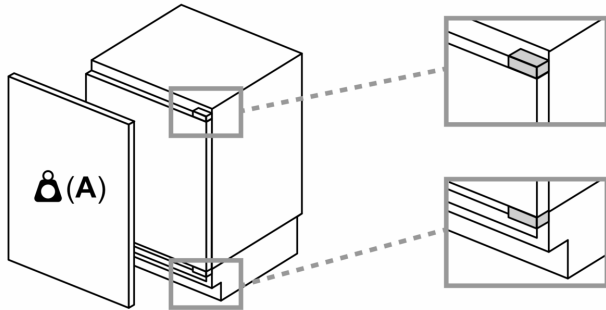
Space for electrical connection next to the appliance on the left or right side

Measurements in mm



A: Air inlet ≥ 200 cm²

Maximal permissible weight of the unit fronts



Fitted unit fronts that exceed the permissible weight may cause damage and result in functional impairment of the hinges

A: Weight \leq 12 kg