

**Series 6, built-under fridge, 82 x 60 cm, flat hinge  
KUR15AFF0**



KFZ10AX0 Door panel with decor frame  
KUZ20SX0 Attachment door, stainless steel

**The built-under refrigerator with MultiBox:  
ideal storage location for your fresh fruits  
and vegetables.**

- **LED lighting:** keep your groceries in perfect view.

Gross weight: ..... 82.000 lbs  
 Energy Efficiency Class (Regulation (EU) 2017/1369): ..... F  
 Average annual energy consumption in kilowatt hour per year (kWh/a) (EU) 2017/1369: ..... 114 kWh/annum  
 Sum of volume of frozen compartments (EU 2017/1369): ..... 0 l  
 Sum of volume of chill- and unfrozen compartments (EU 2017/1369): ..... 137 l  
 Airborne acoustical noise emissions (EU 2017/1369): ..38 dB(A) re 1 pW  
 Airborne acoustical noise emission class (EU 2017/1369): ..... C  
 Built-in / Free-standing: ..... Built-in  
 Number of compressors: ..... 1  
 Number of independent cooling systems: ..... 1  
 Width of the appliance: ..... 598 mm  
 Height: ..... 820 mm  
 Depth of the product: ..... 548 mm  
 Net weight: ..... 34.3 kg  
 Min. required niche size for installation (HxWxD): ....820 x 600 x 550 mm  
 Door panel options: ..... Possible but accessory  
 Door hinge: ..... Right reversible  
 Number of Adjustable Shelves in fridge compartment: ..... 2  
 Shelves for Bottles: ..... No  
 Frost free system: ..... No  
 Interior ventilator: ..... No  
 Reversible Door Hinge: ..... Yes  
 Length electrical supply cord: ..... 230.0 cm  
 Noise level: ..... 38 dB(A) re 1 pW  
 Multi-Flow Air Tower: ..... No  
 Economy setting: ..... No  
 Cold technology: ..... 1 compressor/1 cold circuit  
 Fast cooling switch: ..... No  
 Temperature Controlled Drawer: ..... No  
 Humidity Control Drawer: ..... No  
 Number of Door Bins - Refrigerator: ..... 3  
 Door bin adjustability - Refrigerator: ..... No  
 Tilt-out door bins in fridge: ..... Yes  
 Gallon wide door bins: ..... Yes  
 Number of Gallon storage: ..... 3  
 Motorized Shelf: ..... No  
 Material of the shelves: ..... Glas, plastic  
 Door opened indicator freezer: ..... No  
 Connection rating: ..... 90 W  
 Fuse protection: ..... 10 A  
 Voltage: ..... 220-240 V  
 Frequency: ..... 50 Hz  
 Door panel options: ..... Possible but accessory  
 Installation typology: ..... Built-under  
 Noise level: ..... 38 dB(A) re 1 pW  
 Energy Star Qualified: ..... No  
 Plug type: ..... Gardy plug w/ earthing  
 Required cutout/niche size for installation (in): ..... x  
 Dimensions of the packed product: ..... 35.03 x 26.37 x 24.40  
 Net weight: ..... 76.000 lbs



4 242005 142842

## **Series 6, built-under fridge, 82 x 60 cm, flat hinge KUR15AFF0**

### **The built-under refrigerator with MultiBox: ideal storage location for your fresh fruits and vegetables.**

---

#### **Performance and consumption**

- can be built under/between, fully integr

#### **Design and Styling**

- Ventilation in plinth, no cut-out in the worksurface necessary
- Easy clean interior

#### **Convenience & Safety**

- Electromechanical temperature control
- Automatic defrost in fridge section

#### **Fridge Compartment**

- 3 safety glass shelves, of which 2 are height adjustable
- 3 door trays
- Bottle holder in x-deep door tray
- LED interior light

#### **Freshness System**

- 2 MultiBox drawers - Transparent drawers with a corrugated bottom, ideal for storing fruits and vegetables.

#### **Technical Information**

- Door right hinged, reversible
- Connected load: 90 W
- Nominal voltage: 220 - 240 V

#### **Dimensions**

- Niche Dimension (H x W x D): 82.0 cm x 60.0 cm x 55.0 cm
- Dimensions ( H x W x D): 82.0 cm x 59.8 cm x 54.8 cm

#### **Accessories**

- egg tray

#### **Country Specific Options**

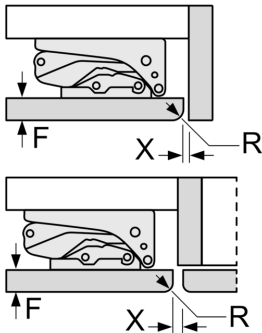
- Based on the results of the standard 24-hour test. Actual consumption depends on usage/position of the appliance.

#### **General Information**

**Series 6, built-under fridge, 82 x 60 cm, flat hinge  
KUR15AFF0**

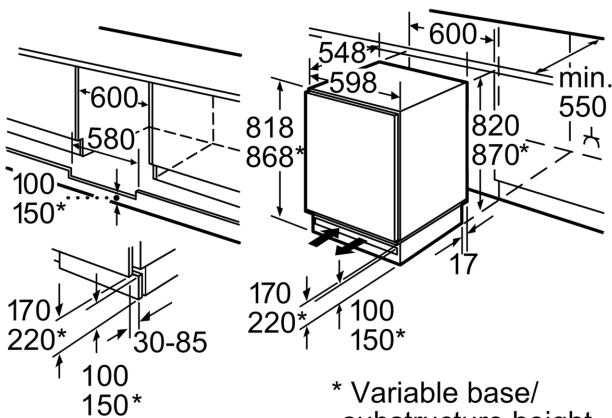
measurements in mm

Recommended gap dimensions for flat hinges



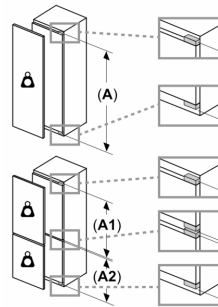
F	R	X
16-19	0-3	2.5
20	0-1	3
	2-3	2.5
21	0-1	3
	2-3	2.5
22	0	4
	1	3.5
	2-3	3

The gap dimensions recommended in the table must be adhered to in order to ensure that appliance doors do not collide with anything when they are opened, and to avoid causing damage to kitchen units.



Space for electrical connection next to the appliance on the left or right-hand side.  
Ventilation space in the base.

Measurements in mm



**Maximal permissible weight of the unit fronts**

Fitted unit fronts that exceed the permissible weight may cause damage and result in functional impairment of the hinges

Δ Weight

A: Appliance door height including hinges in mm

B: Undamped hinge, unit front in kg

C: Damped hinge, unit front in kg

D: Additional possible load in kg with heavy load kit

A	B	C	D
1500-1750	22	22	
720-1400	19	19	B+5 / C+5
A1	15	19	
A2	15	19	