

Series 6, built-under fridge with freezer section, 82 x 60 cm, flat hinge

KUL15AFF0



- KFZ10AX0 Door panel with decor frame
- KSZGGM00 Butter box
- KUZ20SX0 Attachment door, stainless steel

The built-under refrigerator with A++ rating and MultiBox: ideal storage location for fruits and vegetables - very efficient.

- **LED lighting:** keep your groceries in perfect view.

Gross weight: 84.000 lbs
 Energy Efficiency Class (Regulation (EU) 2017/1369): F
 Average annual energy consumption in kilowatt hour per year (kWh/a) (EU) 2017/1369: 180 kWh/annum
 Sum of volume of frozen compartments (EU 2017/1369): 15 l
 Sum of volume of chill- and unfrozen compartments (EU 2017/1369): 108 l
 Airborne acoustical noise emissions (EU 2017/1369): .38 dB(A) re 1 pW
 Airborne acoustical noise emission class (EU 2017/1369): C
 Built-in / Free-standing: Built-in
 Number of compressors: 1
 Number of independent cooling systems: 1
 Width of the appliance: 598 mm
 Height: 820 mm
 Depth of the product: 548 mm
 Net weight: 35.0 kg
 Min. required niche size for installation (HxWxD):820 x 600 x 550 mm
 Door panel options: Possible but accessory
 Door hinge: Right reversible
 Number of Adjustable Shelves in fridge compartment: 1
 Shelves for Bottles: No
 Frost free system: No
 Interior ventilator: No
 Reversible Door Hinge: Yes
 Length electrical supply cord: 230.0 cm
 Noise level: 38 dB(A) re 1 pW
 Multi-Flow Air Tower: No
 Economy setting: No
 Cold technology: 1 compressor/1 cold circuit
 Fast cooling switch: No
 Temperature Controlled Drawer: No
 Humidity Control Drawer: No
 Number of Door Bins - Refrigerator: 3
 Door bin adjustability - Refrigerator: No
 Tilt-out door bins in fridge: Yes
 Gallon wide door bins: Yes
 Number of Gallon storage: 1
 Motorized Shelf: No
 Material of the shelves: Glas, plastic, support grid, wood
 Door opened indicator freezer: No
 Connection rating: 90 W
 Fuse protection: 10 A
 Voltage: 220-240 V
 Frequency: 50 Hz
 Storage Period in Event of Power Failure (h): 8 h
 Door panel options: Possible but accessory
 Installation typology: Built-under
 Noise level: 38 dB(A) re 1 pW
 Energy Star Qualified: No
 Plug type: GARDY plug w/ earthing
 Required cutout/niche size for installation (in): x
 Dimensions of the packed product: 35.03 x 26.37 x 24.40
 Net weight: 77.000 lbs

Series 6, built-under fridge with freezer section, 82 x 60 cm, flat hinge KUL15AFF0

The built-under refrigerator with A++ rating and MultiBox: ideal storage location for fruits and vegetables - very efficient.

Performance and consumption

Design and Styling

- Ventilation in plinth, no cut-out in the worksurface necessary
- Easy clean interior

Convenience & Safety

- LED electronic control
- Automatic defrost in fridge section
- LED interior light in fridge section

Fridge Compartment

- 2 safety glass shelves of which 1 are height adjustable
- 1 door shelf large, 2 door shelf small
- Bottle holder in x-deep door tray

Freshness System

- 2 MultiBox drawers - Transparent drawers with a corrugated bottom, ideal for storing fruits and vegetables.

Freezer Section

- 1 hinged freezer compartment
- Ice compartment suited for Pizzas

Technical Information

- Height adjustable feet in the front
- Door right hinged, reversible
- Connected load: 90 W
- Nominal voltage: 220 - 240 V

Dimensions

- Niche Dimension (H x W x D): 82.0 cm x 60.0 cm x 55.0 cm
- Dimensions (H x W x D): 82.0 cm x 59.8 cm x 54.8 cm

Country Specific Options

- Based on the results of the standard 24-hour test. Actual consumption depends on usage/position of the appliance.

Accessories

- egg tray, ice cube tray

General Information

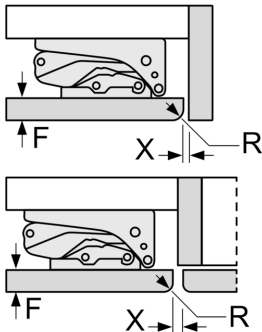
Environment and Safety

Installation

**Series 6, built-under fridge with
freezer section, 82 x 60 cm, flat
hinge
KUL15AFF0**

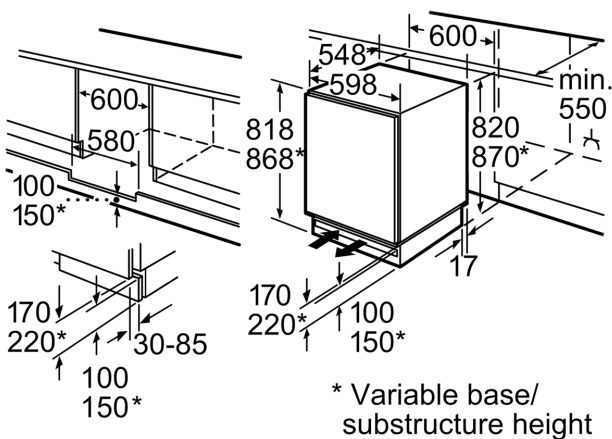
measurements in mm

Recommended gap dimensions for flat hinges



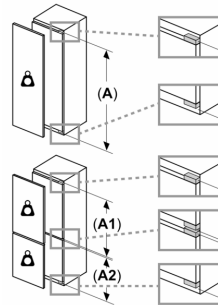
F	R	X
16-19	0-3	2.5
20	0-1	3
	2-3	2.5
21	0-1	3
	2-3	2.5
22	0	4
	1	3.5
	2-3	3

The gap dimensions recommended in the table must be adhered to in order to ensure that appliance doors do not collide with anything when they are opened, and to avoid causing damage to kitchen units.



Space for electrical connection next to the appliance on the left or right-hand side.
Ventilation space in the base.

Measurements in mm



Maximal permissible weight of the unit fronts

Fitted unit fronts that exceed the permissible weight may cause damage and result in functional impairment of the hinges

Δ Weight

A: Appliance door height including hinges in mm

B: Undamped hinge, unit front in kg

C: Damped hinge, unit front in kg

D: Additional possible load in kg with heavy load kit

A	B	C	D
1500-1750	22	22	B+5 / C+5
720-1400	19	19	
A1	15	19	
A2	15	19	