

**Series 6, built-under fridge with freezer section, 82 x 60 cm, flat hinge
KUL15A60**



KFZ10AX0 Door panel with decor frame
KUZ20SX0 Attachment door, stainless steel

The built-under refrigerator with A++ rating and MultiBox: ideal storage location for fruits and vegetables - very efficient.

- **LED lighting:** keep your groceries in perfect view.

Gross weight:	80.000 lbs
Built-in / Free-standing:	Built-in
Number of compressors:	1
Number of independent cooling systems:	1
Width of the appliance:	598 mm
Height:	820 mm
Depth of the product:	548 mm
Net weight:	33.5 kg
Min. required niche size for installation (HxWxD):	820 x 600 x 550 mm
Door panel options:	Possible but accessory
Door hinge:	Right reversible
Number of Adjustable Shelves in fridge compartment:	1
Shelves for Bottles:	No
Frost free system:	No
Interior ventilator:	No
Reversible Door Hinge:	Yes
Length electrical supply cord:	230.0 cm
Noise level:	38 dB(A) re 1 pW
Multi-Flow Air Tower:	No
Economy setting:	No
Cold technology:	1 compressor/1 cold circuit
Fast cooling switch:	No
Temperature Controlled Drawer:	No
Humidity Control Drawer:	No
Number of Door Bins - Refrigerator:	3
Door bin adjustability - Refrigerator:	No
Tilt-out door bins in fridge:	Yes
Gallon wide door bins:	Yes
Number of Gallon storage:	1
Motorized Shelf:	No
Material of the shelves:	Glas, plastic, support grid, wood
Door opened indicator freezer:	No
Connection rating:	90 W
Fuse protection:	10 A
Voltage:	220-240 V
Frequency:	50 Hz
Storage Period in Event of Power Failure (h):	10 h
Door panel options:	Possible but accessory
Installation typology:	Built-under
Noise level:	38 dB(A) re 1 pW
Energy Star Qualified:	No
Plug type:	Gardy plug w/ earthing
Required cutout/niche size for installation (in):	x
Dimensions of the packed product:	35.03 x 26.37 x 24.40
Net weight:	74.000 lbs



Series 6, built-under fridge with freezer section, 82 x 60 cm, flat hinge KUL15A60

The built-under refrigerator with A++ rating and MultiBox: ideal storage location for fruits and vegetables - very efficient.

Installation

Dimensions

Performance and consumption

- Comfort and Safeness

- Energy Efficiency Class: A++ at a range of energy efficiency classes from A+++ to D
- Energy consumption: 140 kWh/yr
- Net capacity: 123 l
- Net fridge capacity 4 - 8 ° C: 108 l
- Net capacity **** freezer: 15 l
- Storage time in power failure: 10 h
- Freezing capacity: 2 kg/24 h
- Climate Class: SN-ST
- Noise level: 38 dB(A) re 1 pW
- can be built under/between, fully integr

Design and Styling

- Ventilation in plinth, no cut-out in the worksurface necessary
- Easy clean interior
- Interior with metal applications

Convenience & Safety

- Electromechanical temperature control
- Automatic defrost in fridge section
- 1 compressor/1 cold circuit

Fridge Compartment

- 2 safety glass shelves of which 1 are height adjustable
- Big pull out tray
- 2 MultiBox drawers - Transparent drawers with a corrugated bottom, ideal for storing fruits and vegetables.
- 1 door shelf large, 2 door shelf small
- Bottle holder in x-deep door tray
- LED interior light
- LED interior light in fridge section

Freezer Section

- 1hinged freezer compartment
- Ice compartment suited for Pizzas

Technical Information

- Height adjustable feet in the front
- Door right hinged, reversible
- Niche Dimension (H x W x D): 82.0 cm x 60.0 cm x 55.0 cm
- Dimensions (H x W x D): 82.0 cm x 59.8 cm x 54.8 cm
- Connected load: 90 W
- Nominal voltage: 220 - 240 V

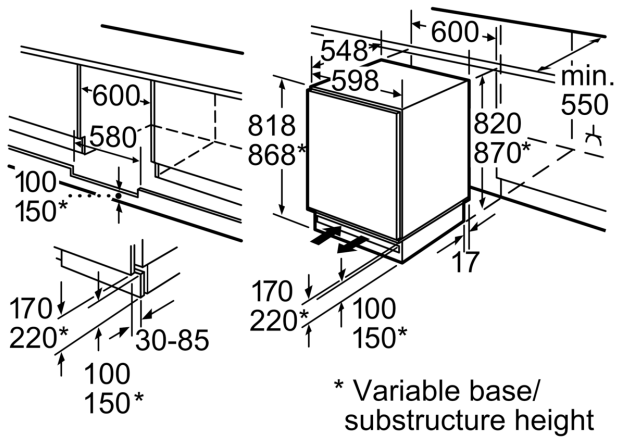
Accessories

- egg tray, ice cube tray

General Information

Environment and Safety

**Series 6, built-under fridge with
freezer section, 82 x 60 cm, flat
hinge
KUL15A60**



Space for electrical connection next to the
appliance on the left or right-hand side.
Ventilation space in the base.

Measurements in mm