

Series 2, built-in fridge-freezer with freezer at bottom, 177.2 x 54.1 cm KIV86NSF0



- GSZB6B00 Box-in-Freezer-Box
- KSZB6R00 Bottle Rack
- KSZGGM00 Butter box

The spacious built-in fridge-freezer combination with LowFrost provides optimal food storage and ice formation is significantly reduced.

- **Low Frost:** defrost less often thanks to lower ice formation - saves work and is energy-efficient.
- **BigBox frozen food drawer:** for stacking storage containers or for large frozen food items.
- **LED lighting:** keep your groceries in perfect view.

Energy Efficiency Class (Regulation (EU) 2017/1369): F
Average annual energy consumption in kilowatt hour per year (kWh/a) (EU) 2017/1369:286 kWh/annum
Sum of volume of frozen compartments (EU 2017/1369): 84 l
Sum of volume of chill- and unfrozen compartments (EU 2017/1369): 183 l
Airborne acoustical noise emissions (EU 2017/1369):	..39 dB(A) re 1 pW
Airborne acoustical noise emission class (EU 2017/1369): C
Built-in / Free-standing: Built-in
Number of compressors: 1
Number of independent cooling systems: 1
Width of the appliance:541 mm
Height: 1772 mm
Depth of the product: 548 mm
Net weight:51.1 kg
Min. required niche size for installation (HxWxD):	1775.0 x 560 x 550 mm
Door panel options: Not possible
Door hinge: Right reversible
Number of Adjustable Shelves in fridge compartment: 3
Shelves for Bottles: No
Frost free system:No
Interior ventilator: No
Reversible Door Hinge: Yes
Length electrical supply cord: 230.0 cm
Noise level:39 dB(A) re 1 pW
Multi-Flow Air Tower: No
Fast cooling switch:No
Fast freezing switch:Yes
Temperature Controlled Drawer:No
Humidity Control Drawer:No
Number of Door Bins - Refrigerator:3
Door bin adjustability - Refrigerator: Yes
Tilt-out door bins in fridge:Yes
Gallon wide door bins:Yes
Number of Gallon storage: 1
Motorized Shelf: No
Material of the shelves: Safety glass
Door opened indicator freezer:No
Automatic motor-driven ice-maker: No
Fuse protection:10 A
Voltage: 220-240 V
Frequency: 50 Hz
Storage Period in Event of Power Failure (h):9 h
Door panel options: Not possible
Noise level:39 dB(A) re 1 pW
Energy Star Qualified:No
Plug type: GARDY plug w/ earthing
Required cutout/niche size for installation (in):x
Dimensions of the packed product: 72.45 x 24.01 x 25.19
Net weight: 113.000 lbs
Gross weight: 123.000 lbs



Series 2, built-in fridge-freezer with freezer at bottom, 177.2 x 54.1 cm KIV86NSF0

The spacious built-in fridge-freezer combination with LowFrost provides optimal food storage and ice formation is significantly reduced.

- easy Installation

Performance and consumption

Design and Styling

- LED interior light in fridge section

Convenience & Safety

- LED electronic control
- Super Cooling: No

Fridge Compartment

- 4 safety glass shelves, of which 3 are height adjustable
- 1 door trays
- 3 door bins

Freshness System

Freezer Section

- Low Frost
- 3 transparent freezer drawers, incl.1 BigBox
- No warning system in freezer section
- Super Freezing: manual activation

Dimensions

- Dimensions (H x W x D): 177.2 cm x 54.1 cm x 54.8 cm
- Niche Dimension (H x W x D): 177.5 cm x 56.0 cm x 55.0 cm

Technical Information

- Nominal voltage: 220 - 240 V

Accessories

- egg tray
- ice cube tray

Country Specific Options

- Based on the results of the standard 24-hour test. Actual consumption depends on usage/position of the appliance.

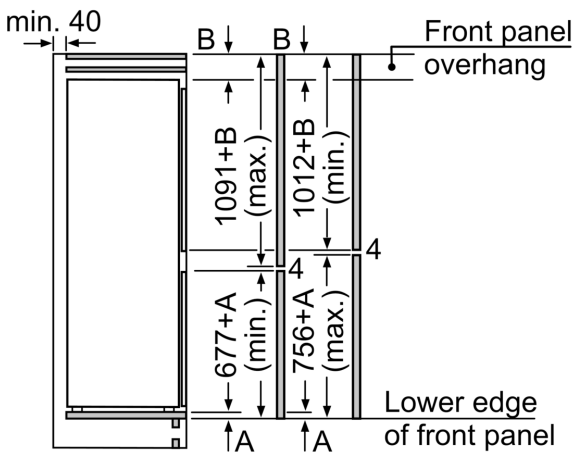
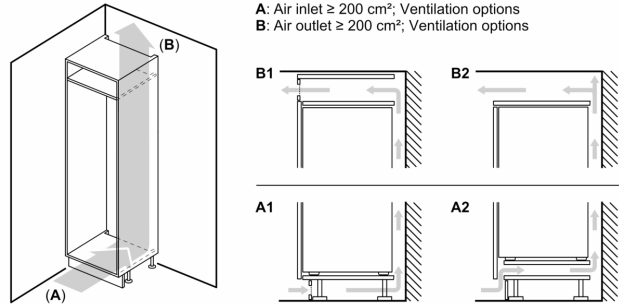
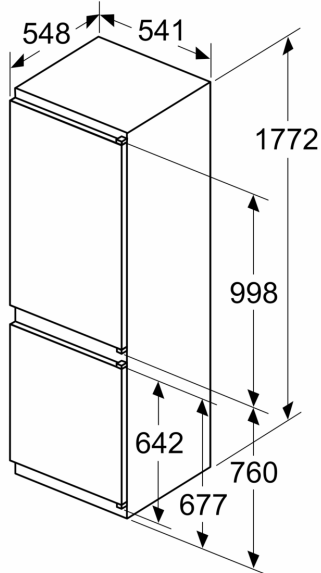
Environment and Safety

Installation

General Information

**Series 2, built-in fridge-freezer with
freezer at bottom, 177.2 x 54.1 cm
KIV86NSF0**

measurements in mm



The specified unit door dimensions are valid for a door gap of 4 mm.

measurements in mm

