

Series 6, built-in fridge, 177.5 x 56 cm, soft close flat hinge KIR81ADD0



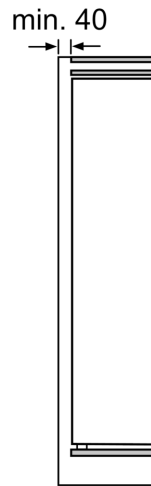
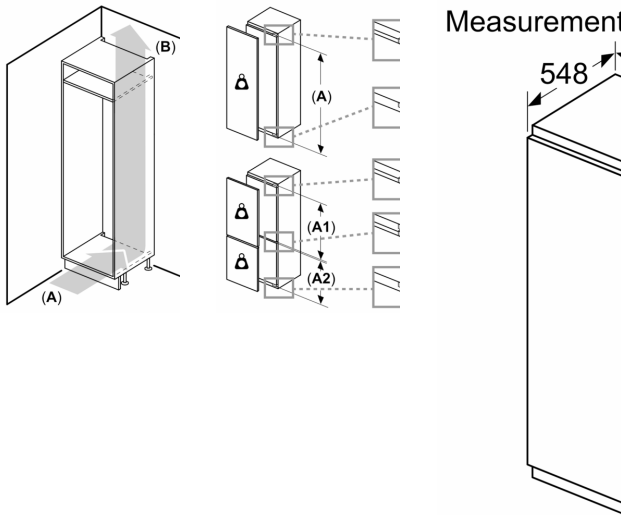
KSZGGM00 Butter box

- **VitaFresh XXL:** keeps food fresh for longer in extra-large climate controlled drawers at near $<0^{\circ}\text{C}>$.
- **LED lighting:** keep your groceries in perfect view.
- **Super Cooling function:** cools new food placed inside faster, thus protecting already cooled food.
- **Intelligent Inverter Technology ensures a stable temperature control and efficient performance.**

Gross weight:	136.000 lbs
Energy Efficiency Class (Regulation (EU) 2017/1369):	D
Average annual energy consumption in kilowatt hour per year (kWh/a):	91 kWh/annum
Sum of volume of frozen compartments:	0 l
Sum of volume of chill compartments:	310 l
Airborne acoustical noise emissions :	34 dB(A) re 1 pW
Airborne acoustical noise emission class:	B
Built-in / Free-standing:	Built-in
Number of compressors:	1
Number of independent cooling systems:	1
Width of the appliance:	558 mm
Height:	1772 mm
Depth of the product:	548 mm
Net weight:	56.7 kg
Min. required niche size for installation (HxWxD):	1775.0 x 560 x 550 mm
Door panel options:	Not possible
Door hinge:	Right reversible
Number of Adjustable Shelves in fridge compartment:	4
Shelves for Bottles:	Yes
Frost free system:	No
Interior ventilator:	Yes
Reversible Door Hinge:	Yes
Length electrical supply cord:	230.0 cm
Multi-Flow Air Tower:	No
Economy setting:	No
Cold technology:	1 compressor/1 cold circuit
Fast cooling switch:	Yes
Temperature Controlled Drawer:	No
Humidity Control Drawer:	No
Number of Door Bins - Refrigerator:	4
Door bin adjustability - Refrigerator:	No
Tilt-out door bins in fridge:	Yes
Gallon wide door bins:	Yes
Number of Gallon storage:	2
Motorized Shelf:	No
Material of the shelves:	Glas
Door opened indicator freezer:	No
Fuse protection:	10 A
Voltage:	220-240 V
Frequency:	50 Hz
Door panel options:	Not possible
Installation typology:	Integrated
Energy Star Qualified:	No
Plug type:	Gardy plug w/ earthing
Required cutout/niche size for installation (in):	72.44 x 24.01 x 25.19
Dimensions of the packed product:	72.44 x 24.01 x 25.19
Net weight:	125.000 lbs



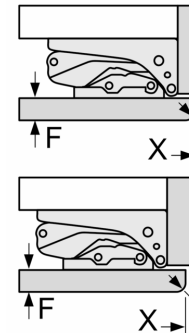
**Series 6, built-in fridge, 177.5 x 56 cm, soft close flat hinge
KIR81ADD0**



Air outlet
min. 200 cm²

Ventilation
space
in the base
min. 200 cm²

measurement
Recommend



The gap dime
in the table m
to ensure that
collide with ai
and to avoid c