

Series 4, built-in fridge, 122.5 x 56 cm, flat hinge KIR41VFE0



- KFZ40AX0 Door panel with decor frame
- KFZ40SX0 Stainless steel door panel
- KSZB6R00 Bottle Rack
- KSZGGM00 Butter box

- **LED lighting:** keep your groceries in perfect view.
- **Super Cooling function:** cools new food placed inside faster, thus protecting already cooled food.

Gross weight: 94.000 lbs
 Energy Efficiency Class (Regulation (EU) 2017/1369): E
 Average annual energy consumption in kilowatt hour per year (kWh/a): 101 kWh/annum
 Sum of volume of frozen compartments: 0 l
 Sum of volume of chill compartments: 204 l
 Airborne acoustical noise emissions :35 dB(A) re 1 pW
 Airborne acoustical noise emission class:B
 Built-in / Free-standing: Built-in
 Number of compressors: 1
 Number of independent cooling systems: 1
 Width of the appliance:541 mm
 Height: 1221 mm
 Depth of the product: 548 mm
 Net weight:39.3 kg
 Min. required niche size for installation (HxWxD): 1225.0 x 560 x 550 mm
 Door panel options: Possible but accessory
 Door hinge: Right reversible
 Number of Adjustable Shelves in fridge compartment: 4
 Shelves for Bottles: Yes
 Frost free system:No
 Interior ventilator: No
 Reversible Door Hinge: Yes
 Length electrical supply cord: 230.0 cm
 Multi-Flow Air Tower: No
 Economy setting: No
 Cold technology: 1 compressor/1 cold circuit
 Fast cooling switch:Yes
 Temperature Controlled Drawer:No
 Humidity Control Drawer:No
 Number of Door Bins - Refrigerator:4
 Door bin adjustability - Refrigerator: No
 Tilt-out door bins in fridge:No
 Gallon wide door bins: Yes
 Number of Gallon storage: 1
 Motorized Shelf: No
 Material of the shelves:Glas
 Door opened indicator freezer:No
 Fuse protection:10 A
 Voltage: 220-240 V
 Frequency: 50 Hz
 Door panel options: Possible but accessory
 Installation typology: Integrated
 Energy Star Qualified:No
 Plug type: Gardy plug w/ earthing
 Required cutout/niche size for installation (in):X
 Dimensions of the packed product: 50.78 x 24.40 x 25.19
 Net weight:87.000 lbs



Series 4, built-in fridge, 122.5 x 56 cm, flat hinge KIR41VFE0

- Built-in/-under-refrigerator 1-door
- easy Installation

Performance and consumption

- EU19_EEK_D: E
- Total Volume : 204 l
- Net Fridge Volume : 204 l
- Annual Energy Consumption: 101 kWh/a
- Climate Class: SN-ST
- Noise Level : 35 dB

Design and Styling

- LED interior light in fridge section

Convenience & Safety

- LED electronic control
- Super Cooling: automatic deactivation

Fridge Compartment

- 5 safety glass shelves of which 4 are height adjustable
- 1 door trays
- 4 door bins
- Acoustic open door warning system
- Automatic defrost in fridge section

Freshness System

- 1 MultiBox - Transparent drawer with a corrugated bottom, ideal for storing fruits and vegetables.

Freezer Section

Dimensions

- Dimensions (H x W x D): 122.1 cm x 54.1 cm x 54.8 cm
- Niche Dimension (H x W x D): 122.5 cm x 56.0 cm x 55.0 cm

Technical Information

- Door right hinged, reversible
- Nominal voltage: 220 - 240 V

Accessories

- egg tray

Country Specific Options

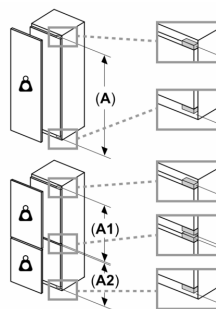
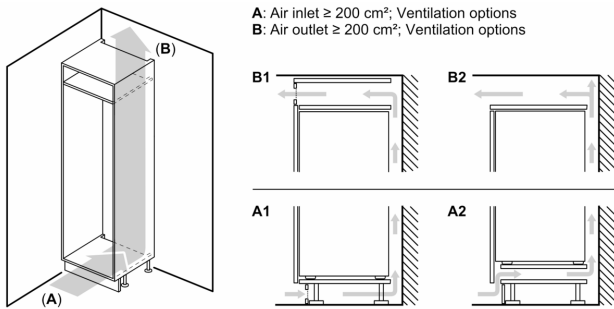
- Based on the results of the standard 24-hour test. Actual consumption depends on usage/position of the appliance.

Environment and Safety

Installation

General Information

**Series 4, built-in fridge, 122.5 x 56 cm, flat hinge
KIR41VFE0**



Maximal permissible weight of the unit fronts

Fitted unit fronts that exceed the permissible weight may cause damage and result in functional impairment of the hinges

Δ : Weight
 A: Appliance door height including hinges in mm

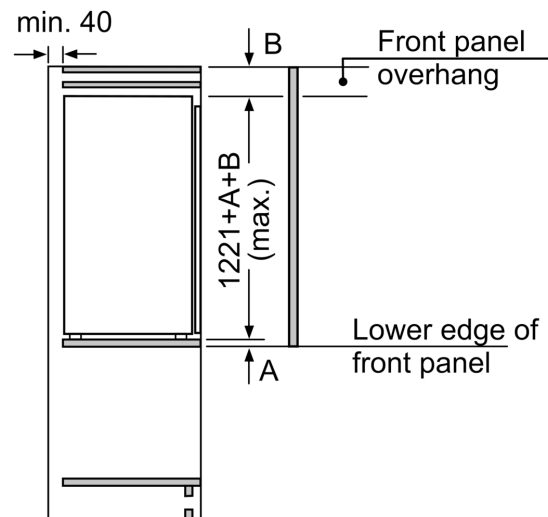
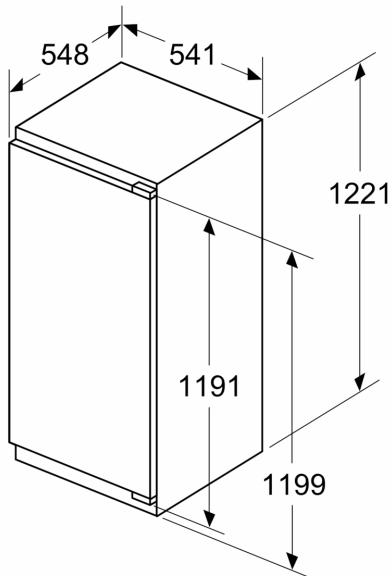
B: Undamped hinge, unit front in kg

C: Damped hinge, unit front in kg

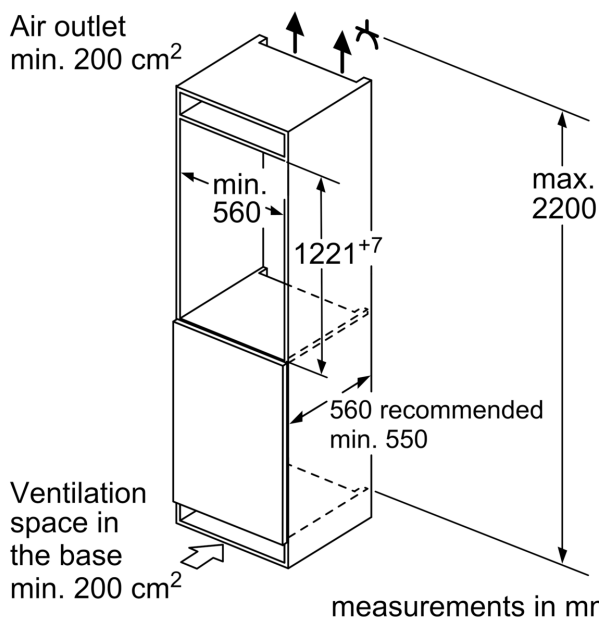
D: Additional possible load in kg with heavy load kit

A	B	C	D
1500-1750	22	22	
720-1400	19	19	B+5 / C+5
A1	15	19	
A2	15	19	

Measurements in mm

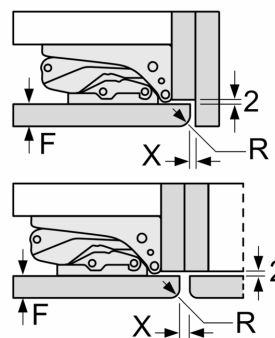


measurements in mm



measurements in mm

Recommended gap dimensions for flat hinges



F	R	X
16-19	0-3	2.5
20	0-1	3
	2-3	2.5
21	0-1	3
	2-3	2.5
22	0	4
	1	3.5
	2-3	3

The gap dimensions recommended in the table must be adhered to in order to ensure that appliance doors do not collide with anything when they are opened, and to avoid causing damage to kitchen units.