

Series 4, built-in fridge with freezer section, 177.5 x 56 cm, flat hinge KIL82VFEO



KSZGGM00 Butter box

- **LED lighting:** keep your groceries in perfect view.
- **Super Cooling function:** cools new food placed inside faster, thus protecting already cooled food.

Gross weight:	136.000 lbs
Energy Efficiency Class (Regulation (EU) 2017/1369):	E
Average annual energy consumption in kilowatt hour per year (kWh/a):	177 kWh/annum
Sum of volume of frozen compartments:	34 l
Sum of volume of chill compartments:	246 l
Airborne acoustical noise emissions :	35 dB(A) re 1 pW
Airborne acoustical noise emission class:	B
Built-in / Free-standing:	Built-in
Number of compressors:	1
Number of independent cooling systems:	1
Width of the appliance:	541 mm
Height:	1772 mm
Depth of the product:	548 mm
Net weight:	56.9 kg
Min. required niche size for installation (HxWxD):	1775.0 x 560 x 550 mm
Door panel options:	Not possible
Door hinge:	Right reversible
Number of Adjustable Shelves in fridge compartment:	4
Shelves for Bottles:	Yes
Frost free system:	No
Interior ventilator:	Yes
Reversible Door Hinge:	Yes
Length electrical supply cord:	230.0 cm
Multi-Flow Air Tower:	No
Economy setting:	No
Cold technology:	1 compressor/1 cold circuit
Fast cooling switch:	Yes
Temperature Controlled Drawer:	No
Humidity Control Drawer:	No
Number of Door Bins - Refrigerator:	5
Door bin adjustability - Refrigerator:	No
Tilt-out door bins in fridge:	Yes
Gallon wide door bins:	Yes
Number of Gallon storage:	2
Motorized Shelf:	No
Material of the shelves:	Glas
Door opened indicator freezer:	No
Fuse protection:	10 A
Voltage:	220-240 V
Frequency:	50 Hz
Storage Period in Event of Power Failure (h):	18 h
Door panel options:	Not possible
Installation typology:	Integrated
Energy Star Qualified:	No
Plug type:	Gardy plug w/ earthing
Required cutout/niche size for installation (in):	x
Dimensions of the packed product:	72.44 x 24.01 x 25.19
Net weight:	125.000 lbs



Series 4, built-in fridge with freezer section, 177.5 x 56 cm, flat hinge KIL82VFEO

Performance and consumption

- EU19_EEK_D: E
- Annual Energy Consumption: 177 kWh/a
- Total Volume : 280 l
- Noise Level : 35 dB
- yes

Design and Styling

- LED interior light

Convenience & Safety

- LED electronic control
- Optical and acoustic door open warning system
- Super Cooling: automatic deactivation
- Automatic defrost in fridge section
- Easy clean interior

Fridge Compartment

- Net Fridge Volume : 246 l
- 6 safety glass shelves, of which 4 are height adjustable
- 5 door bins
- Bottle grid

Freshness System

- 2 MultiBox drawers - Transparent drawers with a corrugated bottom, ideal for storing fruits and vegetables.

Freezer Section

- 1 hinged freezer compartment
- Net Freezer Volume : 34 l
- Freezing capacity 24h : 2.5 kg
- Temperature rise time : 18 H
- Manual defrost in freezer section

Technical Information

- Nominal voltage: 220 - 240 V
- Climate Class: SN-ST
- Door right hinged, reversible

Dimensions

- Niche Dimension (H x W x D): 177.5 cm x 56.0 cm x 55.0 cm
- Dimensions (H x W x D): 177.2 cm x 54.1 cm x 54.8 cm

Accessories

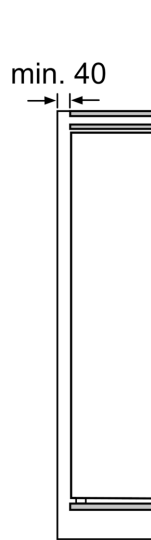
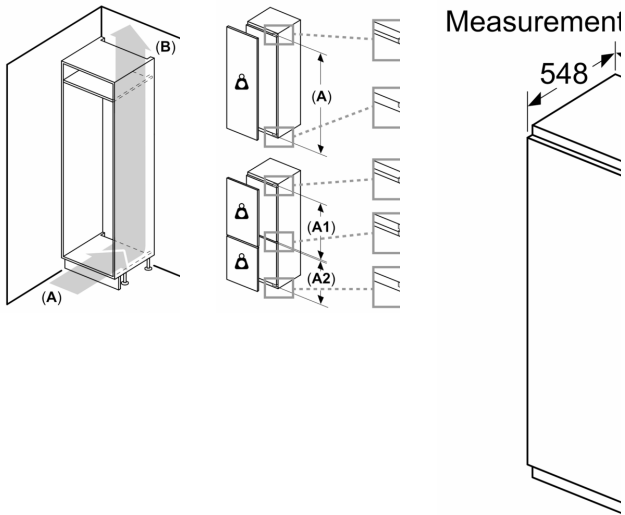
- Heavy-duty hinge support, egg tray, ice cube tray

Country Specific Options

- Based on the results of the standard 24-hour test. Actual consumption depends on usage/position of the appliance.

General Information

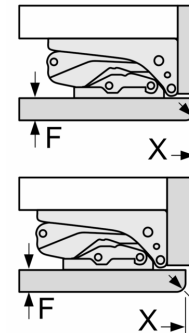
**Series 4, built-in fridge with freezer section, 177.5 x 56 cm, flat hinge
KIL82VFE0**



Air outlet
min. 200 cm²

Ventilation
space
in the base
min. 200 cm²

measurement
Recommended



The gap dimension in the table must be maintained to ensure that the door does not collide with the cabinet and to avoid damage.