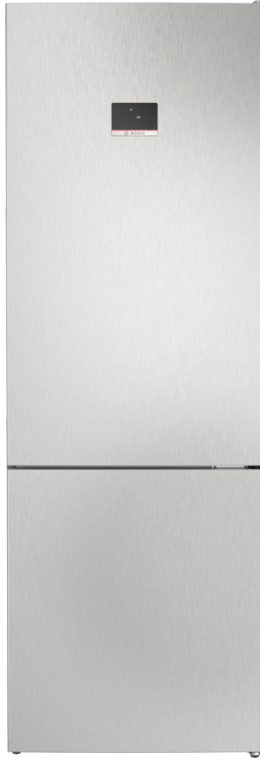


**Series 4, free-standing fridge-freezer with freezer at bottom, 203 x 70 cm, Stainless steel look KGN497LDF**



**The NoFrost bottomfreezer with VitaFresh: Keeps your fresh foods fresh longer.**

- **VitaFresh XXL:** keeps food fresh for longer in extra-large climate controlled drawers at near  $<0^{\circ}\text{C}>$ .
- **Glossy Backwall with Multi Airflow:** evenly circulates fresh air to maintain consistent temperatures.
- **Perfect Fit:** place your fridge right next to walls or in a niche.
- **LED Lighting:** keep your groceries in perfect view.
- **2 Cooling Systems:** separately controllable refrigerator and freezer compartments

Energy Efficiency Class (Regulation (EU) 2017/1369):	..... D
Average annual energy consumption in kilowatt hour per year (kWh/a):	..... 223 kWh/annum
Sum of volume of frozen compartments:	..... 129 l
Sum of volume of chill compartments:	..... 311 l
Airborne acoustical noise emissions :	..... 35 dB(A) re 1 pW
Airborne acoustical noise emission class:	..... B
Built-in / Free-standing:	..... Free-standing
Number of compressors:	..... 1
Number of independent cooling systems:	..... 2
Width of the appliance:	..... 700 mm
Height:	..... 2030 mm
Depth of the product:	..... 667 mm
Net weight:	..... 78.9 kg
Door panel options:	..... Not possible
Door hinge:	..... Right reversible
Number of Adjustable Shelves in fridge compartment:	..... 3
Shelves for Bottles:	..... Yes
Frost free system:	..... Fridge and freezer
Interior ventilator:	..... No
Reversible Door Hinge:	..... Yes
Length electrical supply cord:	..... 231.0 cm
Noise level:	..... 35 dB(A) re 1 pW
Multi-Flow Air Tower:	..... Yes
Fast cooling switch:	..... Yes
Fast freezing switch:	..... Yes
Temperature Controlled Drawer:	..... No
Humidity Control Drawer:	..... No
Number of Door Bins - Refrigerator:	..... 4
Door bin adjustability - Refrigerator:	..... Yes
Tilt-out door bins in fridge:	..... No
Gallon wide door bins:	..... Yes
Number of Gallon storage:	..... 1
Motorized Shelf:	..... No
Material of the shelves:	..... Safety glass
Door opened indicator freezer:	..... No
Automatic motor-driven ice-maker:	..... No
Fuse protection:	..... 10 A
Voltage:	..... 220-240 V
Frequency:	..... 50 Hz
Storage Period in Event of Power Failure (h):	..... 18 h
Door panel options:	..... Not possible
Noise level:	..... 35 dB(A) re 1 pW
Energy Star Qualified:	..... No
Plug type:	..... GARDY plug w/ earthing
Required cutout/niche size for installation (in):	..... x
Dimensions of the packed product:	..... 82.48 x 29.92 x 30.70
Net weight:	..... 174.000 lbs
Gross weight:	..... 189.000 lbs

## **Series 4, free-standing fridge-freezer with freezer at bottom, 203 x 70 cm, Stainless steel look KGN497LDF**

### **The NoFrost bottomfreezer with VitaFresh: Keeps your fresh foods fresh longer.**

- Stainless steel look Doors

#### **Performance and consumption**

- EU19\_EEK\_D: D
- Total Volume : 440 l
- Net Fridge Volume : 311 l
- Net Freezer Volume : 129 l
- Freezing capacity 24h : 11 kg
- Annual Energy Consumption: 223 kWh/a
- Climate Class: SN-T
- yes
- Noise Level : 35 dB
- Temperature rise time : 18 H

#### **Design and Styling**

- Doors Stainless steel look, side panels Pearl grey (VZF 07127)
- Plastic backwall
- Integrated vertical handle
- LED with Soft Start in fridge section

#### **Convenience & Safety**

- Separate, electronic temperature control, LED indicators
- Two Cooling Systems
- Super Cooling: automatic deactivation
- Optical and acoustic door open warning system
- Visual / acoustic

#### **Fridge Compartment**

- Multi Airflow-System
- 5 safety glass shelves of which 3 are height adjustable
- Bottle grid
- 1 door shelf large, 3 door shelf small

#### **Freshness System**

- 1 VitaFresh drawer with humidity control - Fruits and vegetables retain vitamins and stay fresh for longer.
- , 1 VitaFresh 0°C drawer - Fish and meat stay fresh for longer

#### **Freezer Section**

- 3 transparent freezer drawers

#### **Dimensions**

- Dimensions ( H x W x D): 203.0 cm x 70.0 cm x 66.7 cm

#### **Technical Information**

- Door right hinged, reversible
- Height adjustable front feet
- Nominal voltage: 220 - 240 V

#### **Accessories**

- egg tray
- ice cube tray

#### **Country Specific Options**

- Based on the results of the standard 24-hour test. Actual consumption depends on usage/position of the appliance.

#### **Environment and Safety**

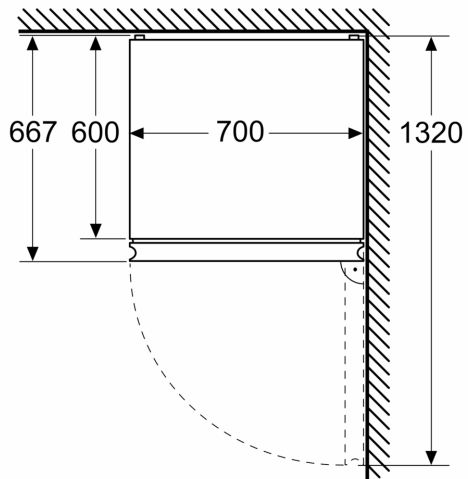
##### **Installation**

##### **General Information**

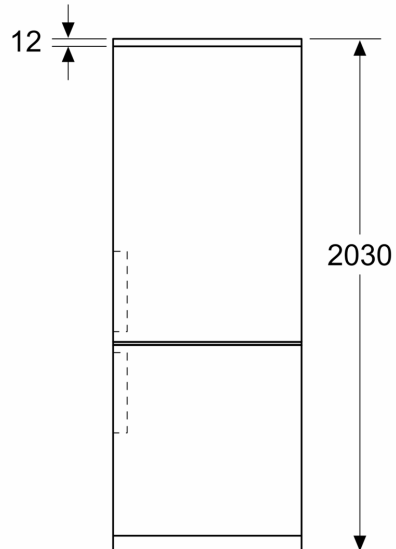
- Super Freezing: Manual/automatic activation

**Series 4, free-standing fridge-freezer  
with freezer at bottom, 203 x 70 cm,  
Stainless steel look  
KGN497LDF**

Measurements in mm



Measurements in mm



Measurements in mm

