

Series 4, free-standing fridge-freezer with freezer at bottom, 203 x 60 cm, Stainless steel look KGN392LDF



- **VitaFresh XXL:** keeps food fresh for longer in extra-large climate controlled drawers at near $<0^{\circ}\text{C}>$.
- **LED interior light:** Illuminates the refrigerator evenly and glare-free, and lasts for its entire life.
- **2 cooling circuits:** separately controllable refrigerator and freezer compartments
- **Super Cooling:** cools new food placed inside faster, thus protecting already cooled food.
- **NoFrost:** You'll never have to defrost your fridge-freezer again.

Energy Efficiency Class (Regulation (EU) 2017/1369): D
Average annual energy consumption in kilowatt hour per year (kWh/a): 203 kWh/annum
Sum of volume of frozen compartments: 103 l
Sum of volume of chill compartments: 260 l
Airborne acoustical noise emissions : 35 dB(A) re 1 pW
Airborne acoustical noise emission class: B
Built-in / Free-standing: Free-standing
Number of compressors: 1
Number of independent cooling systems: 2
Width of the appliance: 600 mm
Height: 2030 mm
Depth of the product: 665 mm
Net weight: 69.7 kg
Door panel options: Not possible
Door hinge: Right reversible
Number of Adjustable Shelves in fridge compartment: 3
Shelves for Bottles: Yes
Frost free system: Fridge and freezer
Interior ventilator: No
Reversible Door Hinge: Yes
Length electrical supply cord: 231.0 cm
Noise level: 35 dB(A) re 1 pW
Multi-Flow Air Tower: Yes
Fast cooling switch: Yes
Fast freezing switch: Yes
Temperature Controlled Drawer: No
Humidity Control Drawer: No
Number of Door Bins - Refrigerator: 4
Door bin adjustability - Refrigerator: Yes
Tilt-out door bins in fridge: No
Gallon wide door bins: Yes
Number of Gallon storage: 1
Motorized Shelf: No
Material of the shelves: Safety glass
Door opened indicator freezer: No
Automatic motor-driven ice-maker: No
Fuse protection: 10 A
Voltage: 220-240 V
Frequency: 50 Hz
Storage Period in Event of Power Failure (h): 15 h
Door panel options: Not possible
Noise level: 35 dB(A) re 1 pW
Energy Star Qualified: No
Plug type: GARDY plug w/ earthing
Required cutout/niche size for installation (in): x
Dimensions of the packed product: 82.48 x 25.98 x 30.70
Net weight: 154.000 lbs
Gross weight: 168.000 lbs



Series 4, free-standing fridge-freezer with freezer at bottom, 203 x 60 cm, Stainless steel look KGN392LDF

Installation General Information

Performance and consumption

- EU19_EEK_D: D
- Total Volume : 363 l
- Net Fridge Volume : 260 l
- Net Freezer Volume : 103 l
- Freezing capacity 24h : 9.5 kg
- Annual Energy Consumption: 203 kWh/a
- Climate Class: SN-T
- yes
- Noise Level : 35 dB
- Temperature rise time : 15 H
- Stainless steel look Doors

Design and Styling

- Doors Stainless steel look, side panels Pearl grey (VZF 07127)
- Integrated vertical handle
- LED with Soft Start in fridge section

Convenience & Safety

- Separate, electronic temperature control, LED indicators
- Two Cooling Systems
- Super Cooling: automatic deactivation
- Optical and acoustic door open warning system
- Visual / acoustic

Fridge Compartment

- Multi Airflow-System
- 5 safety glass shelves of which 3 are height adjustable
- Bottle grid
- 1 door shelf large, 3 door shelf small

Freshness System

- 1 VitaFresh drawer with humidity control - Fruits and vegetables retain vitamins and stay fresh for longer.
- , 1 VitaFresh 0°C drawer - Fish and meat stay fresh for longer

Freezer Section

- 3 transparent freezer drawers

Dimensions

- Dimensions (H x W x D): 203.0 cm x 60.0 cm x 66.5 cm

Technical Information

- Door right hinged, reversible
- Height adjustable front feet
- Nominal voltage: 220 - 240 V

Accessories

- egg tray
- ice cube tray

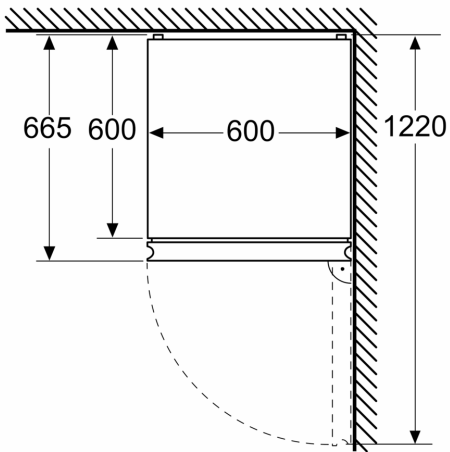
Country Specific Options

- Based on the results of the standard 24-hour test. Actual consumption depends on usage/position of the appliance.

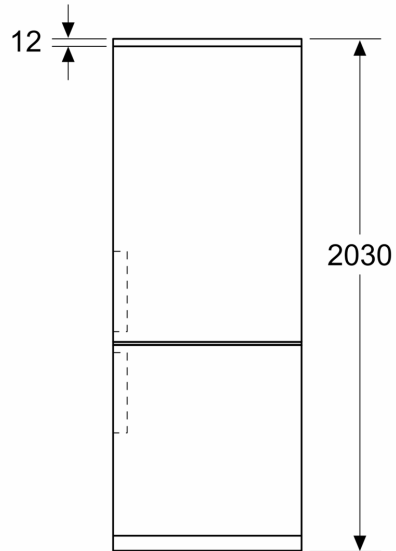
Environment and Safety

**Series 4, free-standing fridge-freezer
with freezer at bottom, 203 x 60 cm,
Stainless steel look
KGN392LDF**

Measurements in mm



Measurements in mm



Measurements in mm

