

**Series 4, French Door Bottom
freezer, multi door, 183 x 90.5 cm,
Stainless steel (with anti-fingerprint)
KFN96APEA**



- **XXL capacity:** extra space for your food when you need it.
- **LED lighting:** keep your groceries in perfect view.
- **BigBox frozen food drawer:** for stacking storage containers or for large frozen food items.
- **Super Cooling function:** cools new food placed inside faster, thus protecting already cooled food.

Energy Efficiency Class (Regulation (EU) 2017/1369): E
Average annual energy consumption in kilowatt hour per year (kWh/a) (EU) 2017/1369: 333 kWh/annum
Sum of volume of frozen compartments (EU 2017/1369): 200 l
Sum of volume of chill- and unfrozen compartments (EU 2017/1369): 405 l
Airborne acoustical noise emissions (EU 2017/1369): 38 dB(A) re 1 pW
Airborne acoustical noise emission class (EU 2017/1369): C
Built-in / Free-standing: Free-standing
Number of compressors: 1
Number of independent cooling systems: 1
Width of the appliance: 905 mm
Height: 1830 mm
Depth of the product: 731 mm
Net weight: 118.3 kg
Door panel options: Not possible
Door hinge: left and right
Number of Adjustable Shelves in fridge compartment: 3
Shelves for Bottles: No
Frost free system: Freezer
Interior ventilator: Yes
Reversible Door Hinge: No
Length electrical supply cord: 240.0 cm
Noise level: 38 dB(A) re 1 pW
Multi-Flow Air Tower: Yes
Fast cooling switch: Yes
Fast freezing switch: Yes
Temperature Controlled Drawer: No
Humidity Control Drawer: No
Number of Door Bins - Refrigerator: 4
Door bin adjustability - Refrigerator: Yes
Tilt-out door bins in fridge: Yes
Gallon wide door bins: Yes
Number of Gallon storage: 2
Motorized Shelf: No
Material of the shelves: Safety glass
Door opened indicator freezer: Yes
Automatic motor-driven ice-maker: No
Fuse protection: 10 A
Voltage: 220-240 V
Frequency: 50-60 Hz
Storage Period in Event of Power Failure (h): 15 h
Door panel options: Not possible
Noise level: 38 dB(A) re 1 pW
Energy Star Qualified: No
Plug type: GARDY plug w/ earthing
Required cutout/niche size for installation (in): x
Dimensions of the packed product: 74.99 x 39.29 x 30.70
Net weight: 261.000 lbs
Gross weight: 284.000 lbs



Series 4, French Door Bottom freezer, multi door, 183 x 90.5 cm, Stainless steel (with anti-fingerprint) KFN96APEA

- LED interior light

- NoFrost, Free-standing-refrigerator >= 3 door
- inox EasyClean Doors

Performance and consumption

- EU19_EEK_D: E
- Total Volume : 605 l
- Net Fridge Volume : 405 l
- Net Freezer Volume : 200 l
- Freezing capacity 24h : 13 kg
- Annual Energy Consumption: 333 kWh/a
- Climate Class: SN-T
- yes
- Noise Level : 38 dB

Design and Styling

- Doors inox EasyClean, side panels inox colored
- LED interior light in fridge section
- Interior with metal applications

Convenience & Safety

- 7 segment electronic control
- Super Cooling: automatic deactivation
- Automatic defrost in fridge section
- acoustic for Fridge and Freeze, Optical warning system Door open
- Acoustic Warning System, Warning System by temperature increase

Fridge Compartment

- Multi Airflow-System
- 2 door shelf large, 2 door shelf small
- none/0
- Dairy compartment

Freshness System

Freezer Section

- 6 transparent freezer drawers
- Ice cube tray

Dimensions

- Dimensions (H x W x D): 183.0 cm x 90.5 cm x 73.1 cm

Technical Information

- Nominal voltage: 220 - 240 V

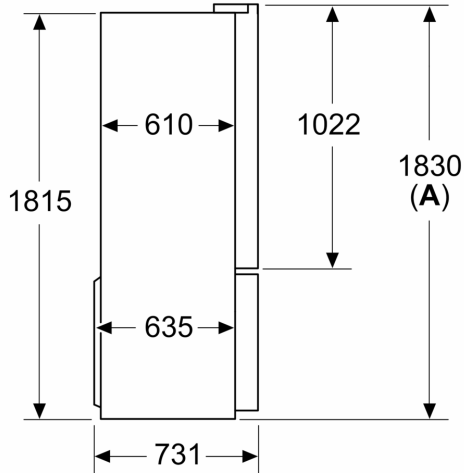
Accessories

Country Specific Options

- Based on the results of the standard 24-hour test. Actual consumption depends on usage/position of the appliance.
- To achieve the declared energy consumption, the attached distanceholders have to be used. As a result, the appliance depth increases by about 3.5 cm. The appliance used without the distance holder is fully functional, but has a slightly higher energy consumption.
- Net 4* compartment volume : 200 l
- Acoustic Warning System
- 2 door trays

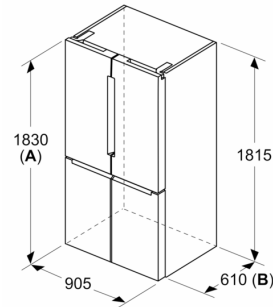
**Series 4, French Door Bottom
freezer, multi door, 183 x 90.5 cm,
Stainless steel (with anti-fingerprint)
KFN96APEA**

Measurements in mm



A: Front is adjustable 1830–1847 mm, with front levelling feet fully extended

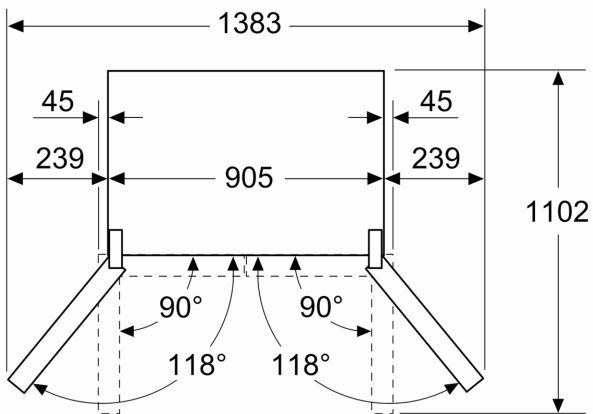
Measurements in mm



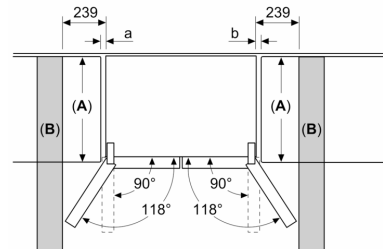
A: Front is adjustable 1830–1847 mm, with front levelling feet fully extended

B: Add 25 mm for fixed spacers on back

Measurements in mm



Measurements in mm



A	a	b
≤ 600	0	0
600 < A ≤ 650	45	45
650 < A ≤ 700	60	60
> 700	239	239

A: Kitchen cabinet or worktop depth

B: Wall
Drawers can be pulled and taken out with door open to 90°