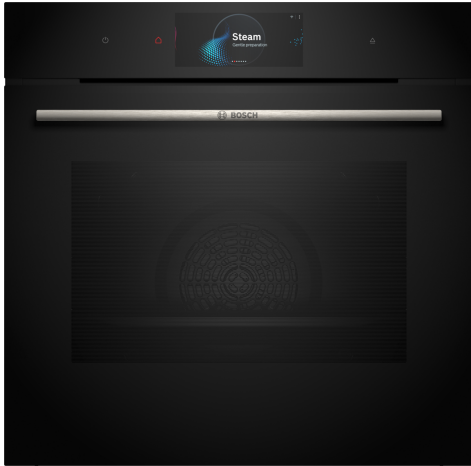


Series 8, Built-in oven with steam function, 60 x 60 cm, Black HSG7584B1



1 x enamel baking tray, 1 x grid, 1 x universal pan, 1 x steam container, size XL, punched, 1 x Steam container, unpunched, size M

HEZ32WA00 Wireless food thermometer, HEZ530000 Half tray, HEZ531010 Baking tray, non-stick ceramic coated, HEZ532010 Universal pan, non-stick ceramic coated, HEZ617000 Pizza pan, enamelled, HEZ629070 Air Fry & Grill tray, HEZ631070 Baking tray, enamelled, HEZ632070 Multipurpose pan, enamelled, HEZ633001 Lid for professional pan, enamelled, HEZ633070 Professional pan, enamelled, HEZ633073 Professional pan, enamelled, HEZG0AS00 Connecting cable 3m, HEZ635001 AirFry & Grill Set, HEZ636000 Glass pan, HEZ638D00 Full ext rails, level independent, steam, HEZ660060 Strip, HEZ664000 Baking and roasting grid (steam), HEZ66D52 2 steamcontainer(punched/unpunched)sizeM, HEZ915003 Glass roasting dish, 5,4 L

Gross weight: 104.000 lbs
 Built-in / Free-standing: Built-in
 Door opening: Drop down
 Min. required niche size for installation (HxWxD): 585-595 x 560-568 x 550 mm
 Dimensions: 595 x 594 x 548 mm
 Dimensions of the packed product (HxWxD): 675 x 660 x 690 mm
 Control Panel Material: Glass
 Door Material: Glass
 Net weight: 44.9 kg
 Length electrical supply cord: 120.0 cm
 Heating modes: ..Defrost, Steam 100%, fermentation, Regeneration, 4D hotair, Air fry, Dehydrate, Full width grill, Hotair gentle, Intensive heat, Half width grill, Conventional heat, Conventional heat gentle, Pizza setting, low temperature cooking, Bottom heat, Hot air grilling, pre-heating, warming
 Time-setting Options: Start and Stop
 Fuse protection: 16 A
 Voltage: 220-240 V
 Frequency: 50; 60 Hz
 Plug type: Gardy plug w/ earthing
 Energy input: Electric
 Fuse protection: 16 A
 Voltage: 220-240 V
 Frequency: 50; 60 Hz
 Plug type: Gardy plug w/ earthing
 Dimensions of the packed product: 26.57 x 25.98 x 27.16
 Net weight: 99.000 lbs
 Included accessories: . 1 x enamel baking tray, 1 x grid, 1 x universal pan, 1 x steam container, punched, size XL, 1 x Steam container, punched, size M, 1 x Steam container, unpunched, size M



Series 8, Built-in oven with steam function, 60 x 60 cm, Black HSG7584B1

Type of oven / heating system:

- Temperature range 30 °C - 250 °C
- Cavity volume: 71 l

Hook-in racks / rails

- Number of shelf levels: 5 PC
- Accessory

Design:

- Touch control
- Cavity inner surface: enamel anthracite

Cleaning:

- Hydro Clean, EcoClean program
- Full glass inner door

Comfort:

- Electronic clock
- Temperature proposal
- Actual temperature display Heating-up control Meat probe
- Oven door with SoftOpen and SoftClose, Drop down door
- Supporting systems: Dish Assist
- Rapid heating-up
- LED light, Switch for oven illumination
- Water tank empty indicator
- Location of the steam generator is outside of the cavity
- Integral cooling fan
- HomeConnect ready on Wi-Fi

Accessory:

- enamel baking tray, Steam container, punched, size M, steam container, punched, size XL, Steam container, unpunched, size M, grid, universal pan

Environment and Safety:

- low door temperature
- Child lock
- Automatic switch off Residual heat indicator Start-/Stop button Door contact switch

Technical Information

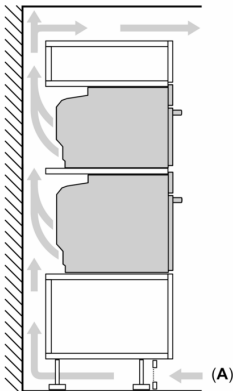
- Length of mains cable: 120 cm
- Nominal voltage: 220 - 240 V
- Total connected load electric: 3.6 KW
- Energy efficiency rating (acc. EU Nr. 65/2014): A+(at a range of energy efficiency classes from A+++ to D)
- Energy consumption per cycle in conventional mode:0.87 kWh
- Energy consumption per cycle in fan-forced convection mode:0.69 kWh
- Number of cavities: 1 Heat source: electrical Cavity volume:71 l

Dimensions:

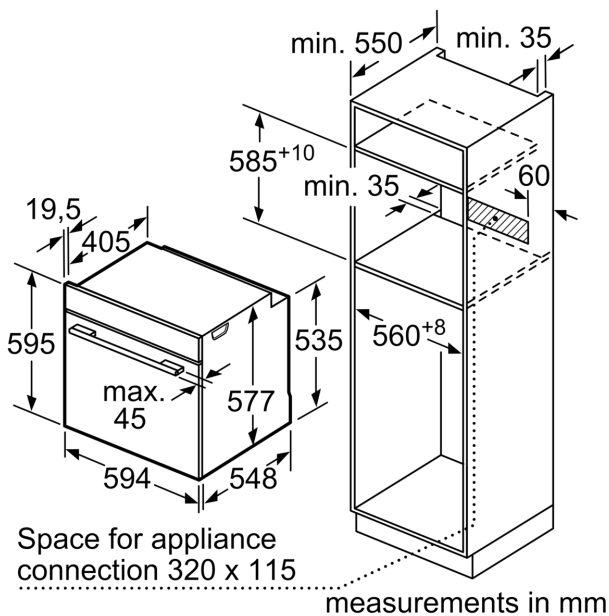
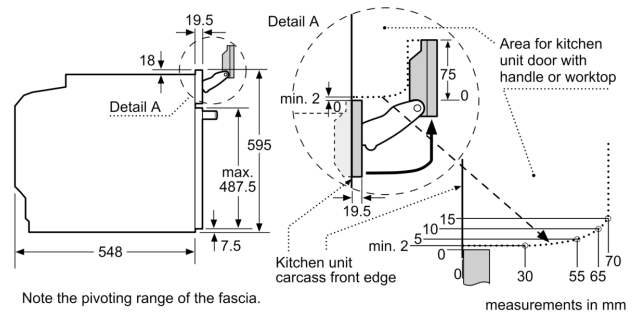
- Appliance dimension (hxwxh): 595 mm x 594 mm x 548 mm
- Niche dimension (hxwxh): 585 mm - 595 mm x 560 mm - 568 mm x 550 mm
- "Please reference the built-in dimensions provided in the installation drawing"

Series 8, Built-in oven with steam function, 60 x 60 cm, Black HSG7584B1

Installing two appliances on top of each other
Air exchange



A: Air inlet $\geq 200 \text{ cm}^2$



If the appliance will be installed underneath a hob, the following worktop thicknesses (including substructure if necessary) must be taken into account.

Hob type	min. worktop thickness	
	fitted	flush
Induction hob	37 mm	38 mm
Full surface Induction hob	47 mm	48 mm
Gas hob	30 mm	38 mm
Electric hob	27 mm	30 mm

