

Series 8, Built-in oven with steam function, 60 x 60 cm, Stainless steel HSG636BS1



A+



1 x enamel baking tray, 1 x grid, 1 x universal pan, punched, size XL,
1 x steam container, unpunched, size S

HEZ530000 Half tray, HEZ531010 Baking tray, non-stick ceramic coated, HEZ532010 Universal pan, non-stick ceramic coated, HEZ617000 Pizza pan, enamelled, HEZ625071 Grill tray, anthracite, HEZ631070 Baking tray, enamelled, HEZ632070 Multipurpose pan, enamelled, HEZ633001 Lid for professional pan, enamelled, HEZ633070 Professional pan, enamelled, HEZ635000 Barbecue-Set, HEZ636000 Glass pan, HEZ638D30 3 level telescopic rails, full ext, steam, HEZ660050 Cover Strip, HEZ664000 Baking and roasting grid (steam), HEZ915003 Glass roasting dish, 5,4 L, HEZG0AS00 Connecting cable 3m, HEZ36D163 Steam container, unpunched, size S, HEZ36D163G Steam container, punched, size S

- **Steam function:** for gentle, healthy food preparation.
- **Added steam:** your foods turn out crispy on the outside and juicy on the inside.
- **4D hotair:** even heat distribution for perfect results – on any level.
- **TFT-touchdisplay:** easy-to-use thanks to the control ring with clear text and images.
- **EcoClean Direct:** less cleaning effort thanks to a special coating of the rear wall that automatically absorbs grime.

Gross weight: 95.000 lbs
 Built-in / Free-standing: Built-in
 Door opening: Drop down
 Min. required niche size for installation (HxWxD): 585-595 x 560-568 x 550 mm
 Dimensions: 595 x 594 x 548 mm
 Dimensions of the packed product (HxWxD): 675 x 660 x 690 mm
 Control Panel Material: Stainless steel
 Door Material: Glass
 Net weight: 40.6 kg
 Length electrical supply cord: 120.0 cm
 Heating modes: Defrost, Steam, Fermentation with steam, regeneration, 4D hotair, Full width grill, Hot Air-Eco, Half width grill, Conventional heat, Conventional heat ECO, Pizza setting, Low temperature cooking, Bottom heat, Hot air grilling, pre-heating, Hold warm
 Time-setting Options: Start and Stop
 Fuse protection: 16 A
 Voltage: 220-240 V
 Frequency: 60; 50 Hz
 Plug type: Gardy plug w/ earthing
 Universal Product Code: 825225921578
 Alternative colors available: HSG636BB1, HSG636BW1
 Energy input: Electric
 Fuse protection: 16 A
 Voltage: 220-240 V
 Frequency: 60; 50 Hz
 Plug type: Gardy plug w/ earthing
 Dimensions of the packed product: 26.57 x 25.98 x 27.16
 Net weight: 89.000 lbs
 Included accessories: . 1 x enamel baking tray, 1 x grid, 1 x universal pan, 1 x steam container, punched, size S, 1 x steam container, punched, size XL, 1 x steam container, unpunched, size S



Series 8, Built-in oven with steam function, 60 x 60 cm, Stainless steel HSG636BS1

Type of oven / heating system:

- Combi-steam oven with 12 heating methods: 4D hotair, Hotair Eco,, Conventional heat, Conventional heat ECO, Hot air grilling, Full width grill, Half width grill, Pizza setting, Bottom heat, Low temperature cooking, Preheating, Hold warm
- Additional heating methods with steam: Steam, Regeneration with steam, Fermentation with steam, Defrost with steam
- Temperature range 30 °C - 250 °C
- Cavity volume: 71 l

Hook-in racks / rails

- Number of shelf levels: 5 PC
- Accessory

Design:

- Rotary swivel
- Cavity inner surface: enamel anthracite

Cleaning:

- EcoClean Direct: coating of back panel
- Cleaning Assistance
- Full glass inner door

Comfort:

- 3x 2,5"-TFT color and graphics display with direct touch function
- Electronic clock
- Temperature proposal
- Actual temperature display Heating-up control Sabbath setting
- Additional functions:
- descaling programme
- autom. boiling point detection drying function
- Oven door with SoftOpen and SoftClose, Drop down door
- Bar handle
- Supporting systems: Dish Assist
- Rapid heating-up
- LED light, Switch for oven illumination
- Water tank with 1 l
- Water tank empty indicator
- Location of the steam generator is outside of the cavity
- Integral cooling fan

Accessory:

- enamel baking tray, steam container, punched, size S, steam container, punched, size XL, steam container, unpunched, size S, grid, universal pan

Environment and Safety:

- low door temperature
- Child lock
- Automatic switch off Residual heat indicator Start-/Stop button Door contact switch

Technical Information

- Length of mains cable: 120 cm
- Nominal voltage: 220 - 240 V
- Total connected load electric: 3.6 KW
- Energy efficiency rating (acc. EU Nr. 65/2014): A+(at a range of

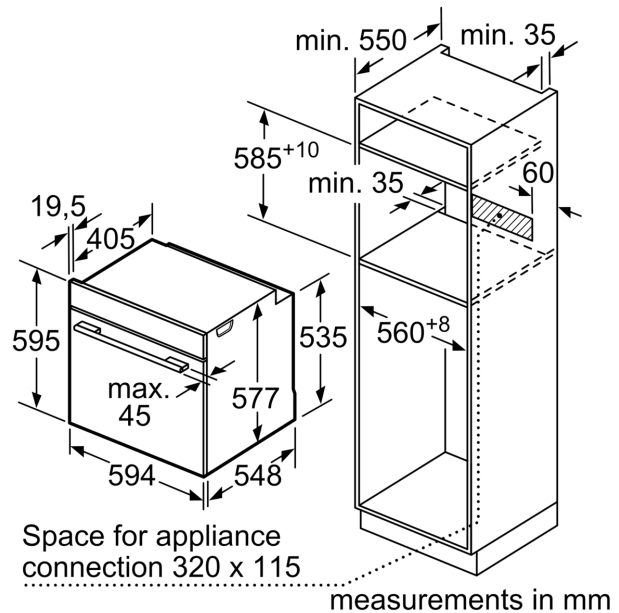
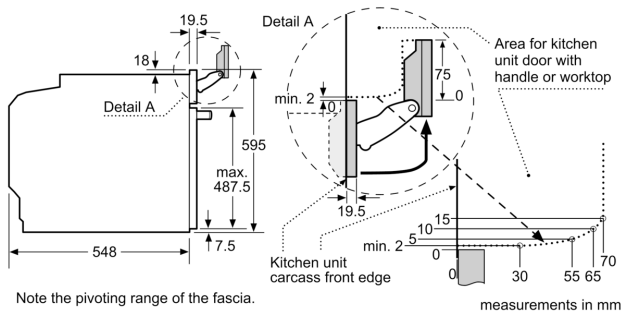
energy efficiency classes from A+++ to D)

- Energy consumption per cycle in conventional mode:0.87 kWh
- Energy consumption per cycle in fan-forced convection mode:0.69 kWh
- Number of cavities: 1 Heat source: electrical Cavity volume:71 l

Dimensions:

- Appliance dimension (hxwx): 595 mm x 594 mm x 548 mm
- Niche dimension (hxwx): 585 mm - 595 mm x 560 mm - 568 mm x 550 mm
- "Please reference the built-in dimensions provided in the installation drawing"
- We recommend you to choose complementary products within Series 8, in order to assure an optimal design combination of your Built-In appliances.

Series 8, Built-in oven with steam function, 60 x 60 cm, Stainless steel HSG636BS1



If the appliance will be installed underneath a hob, the following worktop thicknesses (including substructure if necessary) must be taken into account.

Hob type	min. worktop thickness	
	fitted	flush
Induction hob	37 mm	38 mm
Full surface Induction hob	47 mm	48 mm
Gas hob	30 mm	38 mm
Electric hob	27 mm	30 mm

