

Series 6, Built-in oven with added steam function, 60 x 60 cm, Black HRT278BB0



A



1 x combination grid, 1 x universal pan, 2 x Universal pan, slim size

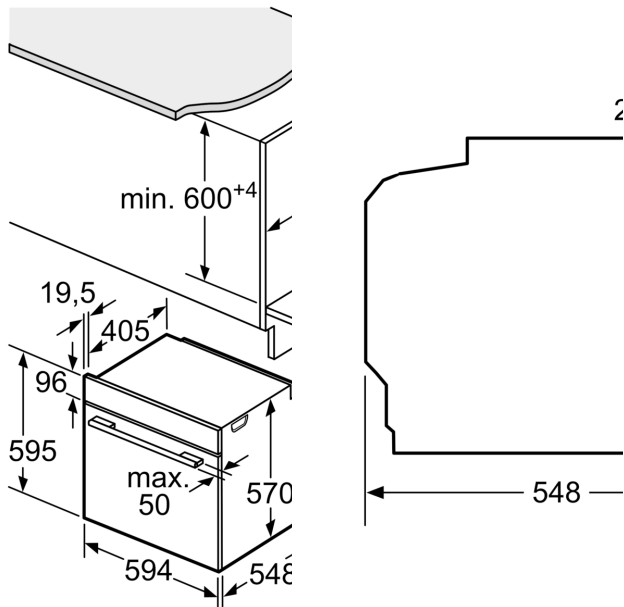
HEZG0AS00 Connecting cable 3m, HEZ634000 Baking and roasting grid (standard), HEZ636000 Glass pan, HEZ638000 Full ext rails, level independent, HEZ660050 Cover Strip, HEZ664000 Baking and roasting grid (steam), HEZ915003 Glass roasting dish, 5,4 L, HEZ327000 Pizza stone, HEZ32WA00 Wireless food thermometer, HEZ530000 Half tray, HEZ531010 Baking tray, non-stick ceramic coated, HEZ532010 Universal pan, non-stick ceramic coated, HEZ538000 1fold telescopic rail, level independent, HEZ617000 Pizza pan, enamelled, HEZ629070 Air Fry & Grill tray, HEZ631070 Baking tray, enamelled, HEZ632070 Multipurpose pan, enamelled, HEZ633001 Lid for professional pan, enamelled, HEZ633070 Professional pan, enamelled

- **Added steam function:** by adding steam, foods turn out crispy on the outside and juicy on the inside.
- **LCD-display control, white:** easy-to-use thanks to direct access to additional functions, temperature recommendation and temperature indication.
- **Pop-out controls:** for an easy to clean front.
- **Pyrolytic self-cleaning:** no cleaning effort thanks to automatic self-cleaning.

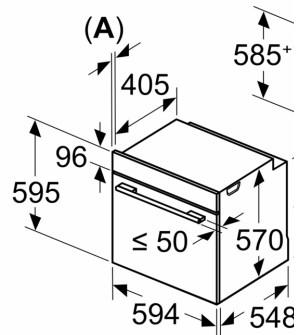
Gross weight:	42.0 kg
Built-in / Free-standing:	Built-in
Integrated Cleaning system:	Pyrolytic+Hydrolytic
Min. required niche size for installation (HxWxD):	585-595 x 560-568 x 550 mm
Dimensions:	595 x 594 x 548 mm
Dimensions of the packed product (HxWxD):	675 x 660 x 690 mm
Control Panel Material:	Glass
Door Material:	Glass
Net weight:	39.9 kg
Usable volume of cavity:	71 l
Heating modes::	regeneration, Defrost, Full width grill, Hotair gentle, Hot Air, Conventional heat, Pizza setting, Low temperature cooking, Bottom heat, Hot air grilling
Number of interior lights:	1
Length electrical supply cord:	120.0 cm
Interior Lights - cavity 1:	1
Pull-out system:	Accessory
Included accessories: 1 x combination grid, 1 x universal pan, 2 x Universal pan, slim size
Broil Element Wattages cavity 1:	2800 W
Convection Element Wattages cavity 1:	2200 W
Energy efficiency rating:A
Energy consumption per cycle conventional (2010/30/EC):0.99 kWh/cycle
Energy consumption per cycle forced air convection (2010/30/EC):	81 kWh/cycle
Energy efficiency index (2010/30/EC):95.3 %
Connection rating: 3600 W
Fuse protection: 16 A
Voltage: 220-240 V
Frequency: 50; 60 Hz
Plug type: Gardy plug w/ earthing
Energy input:Electric
Required cutout/niche size for installation (in):x
Dimensions of the packed product: 26.57 x 25.98 x 27.16
Net weight:88.000 lbs
Gross weight: 93.000 lbs
Length electrical supply cord: 120.0 cm
Net weight: 39.9 kg



Series 6, Built-in oven with added steam function, 60 x 60 cm, Black HRT278BB0

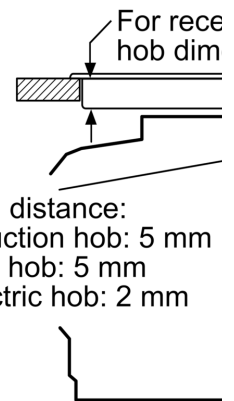


Measurements in mm



A: 19,5 mm
B: Space for appliance
 115 mm

Installation with a hob



Min. distance:
 Induction hob: 5 mm
 Gas hob: 5 mm
 Electric hob: 2 mm