

**Series 8, Built-in oven with added steam function, 60 x 60 cm, Stainless steel  
HRG675BS1**



1 x enamel baking tray, 1 x combination grid, 1 x universal pan

HEZ327000 Pizza stone, HEZ530000 Half tray, HEZ531010 Baking tray, non-stick ceramic coated, HEZ532010 Universal pan, non-stick ceramic coated, HEZ617000 Pizza pan, enamelled, HEZ625071 Grill tray, anthracite, HEZ631070 Baking tray, enamelled, HEZ632070 Multipurpose pan, enamelled, HEZ633001 Lid for professional pan, enamelled, HEZ633070 Professional pan, enamelled, HEZ634000 Baking and roasting grid (standard), HEZ635000 Barbecue-Set, HEZ636000 Glass pan, HEZ638170 1 level telescopic rail, full ext, pyro, HEZ638270 2 level telescopic rails, full ext,pyro, HEZ638370 3 level telescopic rails, full ext,pyro, HEZ660050 Cover Strip, HEZ664000 Baking and roasting grid (steam), HEZ915003 Glass roasting dish, 5,4 L, HEZG0AS00 Connecting cable 3m

**The built-in oven with AutoPilot and added steam: automatically prepares your dishes so they're crispy and juicy.**

- **Added steam:** your foods turn out crispy on the outside and juicy on the inside.
- **4D hotair:** even heat distribution for perfect results – on any level.
- **AutoPilot 20:** every dish is a perfect success thanks to 20 pre-set automatic programmes.
- **TFT Touch Display:** easy-to-use thanks to the Control Ring with clear text and symbols.
- **Pyrolytic self-cleaning:** no cleaning effort thanks to automatic self-cleaning.

Gross weight: ..... 46.1 kg  
 Built-in / Free-standing: ..... Built-in  
 Integrated Cleaning system: ..... Pyrolytic+Hydrolytic  
 Min. required niche size for installation (HxWxD): 585-595 x 560-568 x 550 mm  
 Dimensions: ..... 595 x 594 x 548 mm  
 Dimensions of the packed product (HxWxD): ..... 670 x 670 x 680 mm  
 Control Panel Material: ..... Stainless steel  
 Door Material: ..... Glass  
 Net weight: ..... 43.7 kg  
 Usable volume of cavity: ..... 71 l  
 Heating modes:: ..... regeneration, 4D hotair, Defrost, Full width grill, Hot Air-Eco, Half width grill, Conventional heat, Conventional heat ECO, Pizza setting, Low temperature cooking, Bottom heat, Hot air grilling, pre-heating, Hold warm  
 Number of interior lights: ..... 3  
 Length electrical supply cord: ..... 120.0 cm  
 Interior Lights - cavity 1: ..... 3  
 Pull-out system: ..... Accessory  
 Included accessories: 1 x enamel baking tray, 1 x combination grid, 1 x universal pan  
 Broil Element Wattages cavity 1: ..... 2800 W  
 Convection Element Wattages cavity 1: ..... 2200 W  
 Energy efficiency rating: ..... A+  
 Energy consumption per cycle conventional (2010/30/EC): ..... 0.87 kWh/cycle  
 Energy consumption per cycle forced air convection (2010/30/EC): ..... 0.69 kWh/cycle  
 Energy efficiency index (2010/30/EC): ..... 81.2 %  
 Connection rating: ..... 3600 W  
 Fuse protection: ..... 16 A  
 Voltage: ..... 220-240 V  
 Frequency: ..... 50; 60 Hz  
 Plug type: ..... GARDY plug w/ earthing  
 Energy input: ..... Electric  
 Required cutout/niche size for installation (in): ..... x  
 Dimensions of the packed product: ..... 26.37 x 26.37 x 26.77  
 Net weight: ..... 96.000 lbs  
 Gross weight: ..... 102.000 lbs  
 Length electrical supply cord: ..... 120.0 cm  
 Net weight: ..... 43.7 kg



## **Series 8, Built-in oven with added steam function, 60 x 60 cm, Stainless steel HRG675BS1**

**The built-in oven with AutoPilot and added steam: automatically prepares your dishes so they're crispy and juicy.**

### **Type of oven / heating system:**

- Oven with 13 heating methods: 4D hotair, Hotair Eco., Conventional heat, Conventional heat ECO, Hot air grilling, Full width grill, Half width grill, Pizza setting, Bottom heat, Low temperature cooking, Defrost, Preheating, Hold warm
- Additional heating methods with steam: Regeneration with steam, Fermentation with steam
- Temperature range 30 °C - 300 °C
- Cavity volume: 71 l

### **Hook-in racks / rails**

- Number of shelf levels: 5 PC
- Accessory, pyrolytic proof

### **Design:**

- Rotary swivel
- Cavity inner surface: enamel anthracite

### **Cleaning:**

- Pyrolytic self-cleaning function
- Cleaning Assistance
- Full glass inner door

### **Comfort:**

- 2,5"-TFT-color and text display with touch-control buttons
- Electronic clock
- Temperature proposal
- Actual temperature display Heating-up control Sabbath setting
- AutoPilot 20
- Oven door with SoftOpen and SoftClose, Drop down door
- Bar handle
- Supporting systems: Programs
- Rapid heating-up
- LED light, LED-Elongated light, Switch for oven illumination
- Water tank with 1 l
- Water tank empty indicator
- Location of the steam generator is outside of the cavity
- Integral cooling fan

### **Accessory:**

- enamel baking tray, combination grid, universal pan

### **Environment and Safety:**

- very low door temperature
- Low door temperature during pyrolytic cleaning
- Automatic door lock during pyrolysis
- Child lock Automatic switch off Residual heat indicator Start-/Stop button Door contact switch

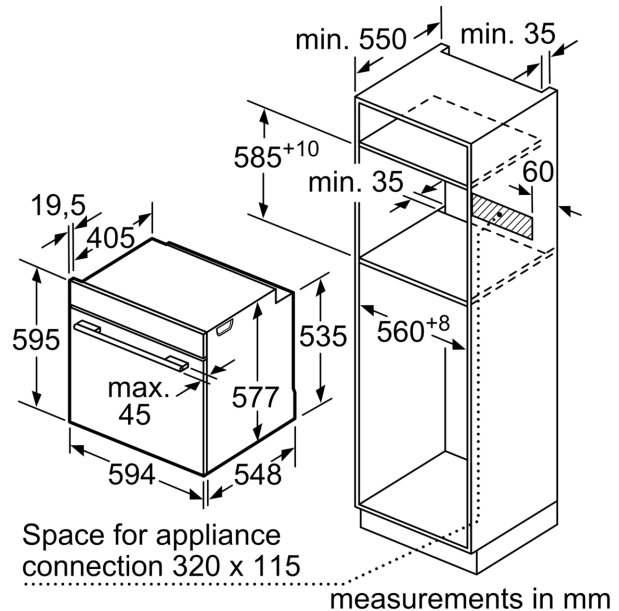
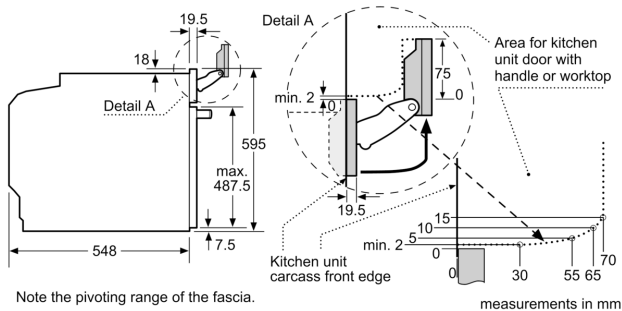
### **Technical Information**

- Length of mains cable: 120 cm
- Nominal voltage: 220 - 240 V
- Total connected load electric: 3.6 KW
- Energy efficiency rating (acc. EU Nr. 65/2014): A+(at a range of energy efficiency classes from A+++ to D)
- Energy consumption per cycle in conventional mode:0.87 kWh
- Energy consumption per cycle in fan-forced convection mode:0.69 kWh
- Number of cavities: 1 Heat source: electrical Cavity volume:71 l

### **Dimensions:**

- Appliance dimension (hxwx): 595 mm x 594 mm x 548 mm
- Niche dimension (hxwx): 585 mm - 595 mm x 560 mm - 568 mm x 550 mm
- "Please reference the built-in dimensions provided in the installation drawing"
- We recommend you to choose complementary products within Series 8, in order to assure an optimal design combination of your Built-In appliances.

**Series 8, Built-in oven with added steam function, 60 x 60 cm, Stainless steel**  
**HRG675BS1**



If the appliance will be installed underneath a hob, the following worktop thicknesses (including substructure if necessary) must be taken into account.

Hob type	min. worktop thickness	
	fitted	flush
Induction hob	37 mm	38 mm
Full surface Induction hob	47 mm	48 mm
Gas hob	30 mm	38 mm
Electric hob	27 mm	30 mm

