

**Series 6, Built-in oven, 60 x 60 cm,  
Black  
HBA578BB0**



1 x combination grid, 1 x universal pan

HEZ327000 Pizza stone, HEZ32WA00 Wireless food thermometer, HEZ530000 Half tray, HEZ531010 Baking tray, non-stick ceramic coated, HEZ532010 Universal pan, non-stick ceramic coated, HEZ538000 1fold telescopic rail, level independent, HEZ617000 Pizza pan, enamelled, HEZ629070 Air Fry & Grill tray, HEZ631070 Baking tray, enamelled, HEZ632070 Multipurpose pan, enamelled, HEZ633001 Lid for professional pan, enamelled, HEZ633070 Professional pan, enamelled, HEZ634000 Baking and roasting grid (standard), HEZ636000 Glass pan, HEZ638000 Full ext rails, level independent, HEZ660050 Cover Strip, HEZ664000 Baking and roasting grid (steam), HEZ915003 Glass roasting dish, 5,4 L, HEZG0AS00 Connecting cable 3m

**The built-in oven with AutoPilot:  
automatically prepares perfect dishes.**

- **LCD-display control, white:** easy-to-use thanks to direct access to additional functions, temperature recommendation and temperature indication.
- **Pop-out controls:** for an easy to clean front.
- **Pyrolytic self-cleaning:** no cleaning effort thanks to automatic self-cleaning.
- **Cleaning Assistance:** less cleaning effort thanks to the new cleaning option, which can be especially used for cleaning of light soiling.

Gross weight: .....	40.3 kg
Built-in / Free-standing: .....	Built-in
Integrated Cleaning system: .....	Pyrolytic+Hydrolytic
Min. required niche size for installation (HxWxD):	585-595 x 560-568 x 550 mm
Dimensions: .....	595 x 594 x 548 mm
Dimensions of the packed product (HxWxD): .....	675 x 660 x 690 mm
Control Panel Material: .....	Glass
Door Material: .....	Glass
Net weight: .....	38.3 kg
Usable volume of cavity: .....	71 l
Heating modes:: .....	Defrost, Full width grill, Hotair gentle, Hot Air, Conventional heat, Pizza setting, Low temperature cooking, Bottom heat, Hot air grilling, Hold warm
Number of interior lights: .....	1
Length electrical supply cord: .....	120.0 cm
Interior Lights - cavity 1: .....	1
Pull-out system: .....	Accessory
Included accessories: .....	1 x combination grid, 1 x universal pan
Broil Element Wattages cavity 1: .....	2800 W
Convection Element Wattages cavity 1: .....	2200 W
Energy efficiency rating: .....	A
Energy consumption per cycle conventional (2010/30/EC): .....	0.99 kWh/cycle
Energy consumption per cycle forced air convection (2010/30/EQ):	0.81 kWh/cycle
Energy efficiency index (2010/30/EC): .....	95.3 %
Connection rating: .....	3600 W
Fuse protection: .....	16 A
Voltage: .....	220-240 V
Frequency: .....	60; 50 Hz
Plug type: .....	Gardy plug w/ earthing
Alternative colors available: .....	HBA578BW0, HBA578BS0
Energy input: .....	Electric
Required cutout/niche size for installation (in): .....	.....x
Dimensions of the packed product: .....	26.57 x 25.98 x 27.16
Net weight: .....	84.000 lbs
Gross weight: .....	89.000 lbs
Length electrical supply cord: .....	120.0 cm
Net weight: .....	38.3 kg



## **Series 6, Built-in oven, 60 x 60 cm, Black HBA578BB0**

### **The built-in oven with AutoPilot: automatically prepares perfect dishes.**

- Appliance dimension (hxwx): 595 mm x 594 mm x 548 mm
- Niche dimension (hxwx): 585 mm - 595 mm x 560 mm - 568 mm x 550 mm
- "Please reference the built-in dimensions provided in the installation drawing"
- We recommend you to choose complementary products within Series 6, in order to assure an optimal design combination of your Built-In appliances.

#### **Type of oven / heating system:**

- Oven with 10 heating methods: 3D hotair, Conventional heat, Hot air grilling, Full width grill, Pizza setting, Bottom heat, Low temperature cooking, Defrost, Hold warm, Hotair gentle
- Temperature range 30 °C - 275 °C
- Cavity volume: 71 l

#### **Hook-in racks / rails**

- Number of shelf levels: 5 PC
- Accessory

#### **Design:**

- Rotary Control, Pop-out controls
- Extra large capacity oven with grey enamel

#### **Cleaning:**

- Pyrolytic self-cleaning function
- Cleaning Assistance
- Full glass inner door

#### **Comfort:**

- LCD-display control (white)
- Electronic clock
- Temperature proposal
- automatic start Heating-up control Sabbath setting
- AutoPilot 30
- Bar handle
- Supporting systems: Programs
- Rapid heating-up
- Halogen interior lighting, Switch for oven illumination
- Integral cooling fan

#### **Accessory:**

- combination grid, universal pan

#### **Environment and Safety:**

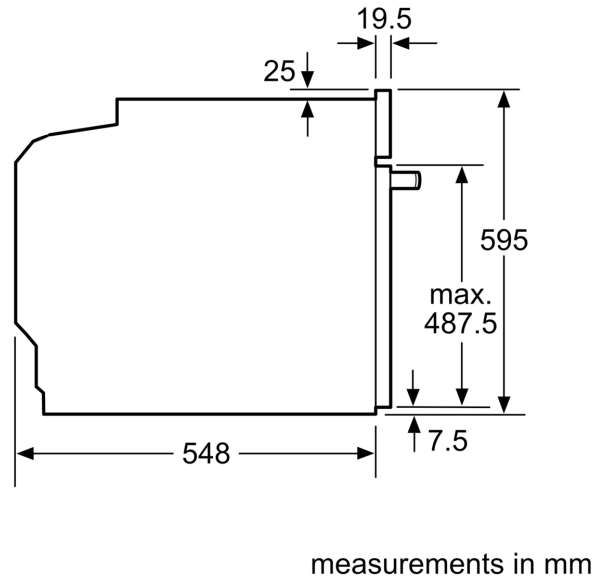
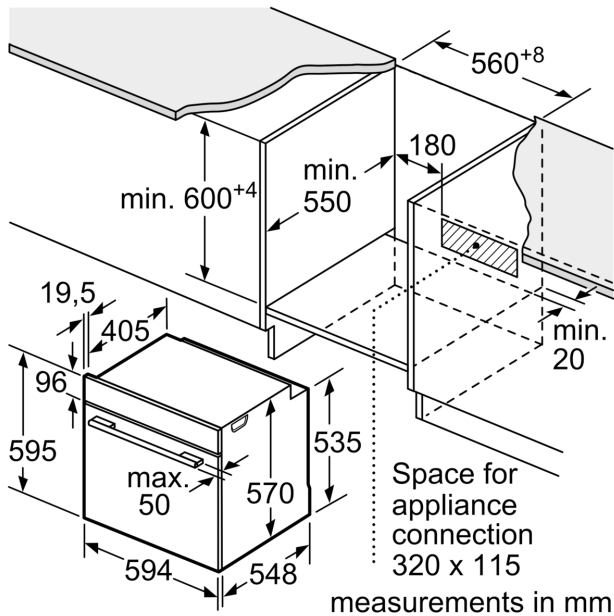
- very low door temperature
- Low door temperature during pyrolytic cleaning
- Automatic door lock during pyrolysis
- Child lock Automatic switch off Residual heat indicator

#### **Technical Information**

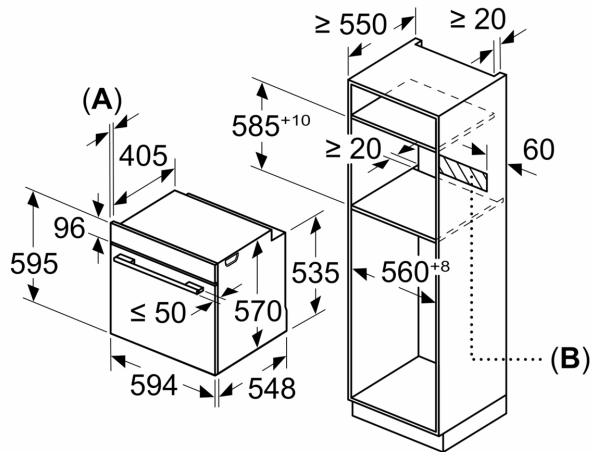
- Length of mains cable: 120 cm
- Nominal voltage: 220 - 240 V
- Total connected load electric: 3.6 KW
- Energy efficiency rating (acc. EU Nr. 65/2014): A(at a range of energy efficiency classes from A+++ to D)
- Energy consumption per cycle in conventional mode:0.99 kWh
- Energy consumption per cycle in fan-forced convection mode:0.81 kWh
- Number of cavities: 1 Heat source: electrical Cavity volume:71 l

#### **Dimensions:**

**Series 6, Built-in oven, 60 x 60 cm,  
Black  
HBA578BB0**



Measurements in mm



**A:** 19.5 mm  
**B:** Space for appliance connection 320 x 115 mm

Installation with a hob.

