

**Series 6, free-standing freezer, 186 x 60 cm, Stainless steel (with anti-fingerprint)
GSN36BIEP**



The freezer with A++ rating and 4 transparent freezer drawers: provides ample room and a good overview - very efficient.

- **VarioZone:** more flexibility due to variable-use glass shelves and drawers in the freezer compartment.
- **NoFrost:** never defrost again, thanks to perfect protection from ice formation - that saves time and effort.
- **BigBox frozen food drawer:** for stacking storage containers or for large frozen food items.
- **IceTwister:** easy to remove and fill - for lots of ice cubes.
- **VarioInverter works by adjusting to the changes in temperatures inside and outside the refrigerator and the load within and provides optimal performance* during voltage fluctuations.**



2 x cold accumulator

KSZ39AL00 Connection set inox

Energy Efficiency Class (Regulation (EU) 2017/1369): E
 Average annual energy consumption in kilowatt hour per year
 (kWh/a) (EU) 2017/1369:234 kWh/annum
 Sum of volume of frozen compartments (EU 2017/1369): 242 l
 Airborne acoustical noise emissions (EU 2017/1369): .39 dB(A) re 1
 pW
 Airborne acoustical noise emission class (EU 2017/1369): C
 Product category: Upright freezer
 Built-in / Free-standing: Free-standing
 Frost free system: Fridge and freezer
 Climate class: SN-T
 Door panel options: Not possible
 Width of the appliance: 600 mm
 Depth of the product: 650 mm
 Dimensions of the packed product (HxWxD): ... 1900 x 650 x 750 mm
 Warning signal / malfunction: Both visual and audible
 Number of drawers/baskets (Stck): 4
 Number of freezing flaps (Stck): 0
 Lockable door: No
 Thermometer freeze section: Digital
 Light: Yes
 Length electrical supply cord: 230.0 cm
 Door hinge: Right reversible
 Net weight: 72.1 kg
 Gross weight: 74.0 kg
 Multi-Flow Air Tower: Yes
 Number of compressors: 1
 Number of independent cooling systems: 1
 Economy setting: No
 Fast freezing switch: Yes
 Number of Door Bins - Freezer: 0
 Door bin adjustability - Freezer: No
 Tilt-out door bins in freezer: No
 Number of shelves - Freezer: 0
 Door bin adjustability - Freezer: No
 Shelf Material - Freezer: Safety glass
 Reversible Door Hinge: Yes
 Fuse protection: 10 A
 Frequency: 50 Hz
 Door panel options: Not possible
 Installation typology: Free-standing
 Noise level: 39 dB(A) re 1 pW
 Energy Star Qualified: No
 Plug type: Gady plug w/ earthing
 Required cutout/niche size for installation (in):x
 Dimensions of the packed product: 74.80 x 25.59 x 29.52
 Net weight: 159.000 lbs
 Gross weight: 163.000 lbs
 Included accessories: 2 x cold accumulator



Series 6, free-standing freezer, 186 x 60 cm, Stainless steel (with anti-fingerprint) GSN36BIEP

The freezer with A++ rating and 4 transparent freezer drawers: provides ample room and a good overview - very efficient.

- EU19_EEK_D: E
- Total Volume : 242 l
- Net Fridge Volume : 0 l
- Net Freezer Volume : 242 l
- Freezing capacity 24h : 18 kg
- Annual Energy Consumption: 234 kWh/a
- Climate Class: SN-T
- yes
- Noise Level : 39 dB
- Temperature rise time : 9 H

-
- inox EasyClean Doors
 - NoFrost, Free-standing upright-freezer (> 90 cm h)

Performance and consumption

Design and Styling

- Doors inox EasyClean, side panels Pearl grey (VZF 07127)
- vertical handle
- LED Illumination
- Interior with metal applications

Convenience & Safety

- NoFrost - never again defrosting!
- Display exterior touchControl with digital display - at a glance perfectly under control!
- FreshSense - constant temperature by intelligent sensor technology
- Super Freezing: manual activation

Freezer Section

- Easy Access Zone
- Multi Airflow-System
- removable easy twist ice box
- Vario Zone - removable safety glass shelves for extra space!
- 4 transparent freezer drawers, incl.2 x big box

Dimensions

- Dimensions (H x W x D): 186.0 cm x 60.0 cm x 65.0 cm

Technical Information

- Door right hinged, reversible
- Height adjustable front feet
- Wall-side door opening: No side clearance needed at all. Fully access to all drawers.
- Nominal voltage: 220 - 240 V

Accessories

- cold accumulator

Country Specific Options

- Based on the results of the standard 24-hour test. Actual consumption depends on usage/position of the appliance.
- To achieve the declared energy consumption, the attached distanceholders have to be used. As a result, the appliance depth increases by about 3.5 cm. The appliance used without the distance holder is fully functional, but has a slightly higher energy consumption.

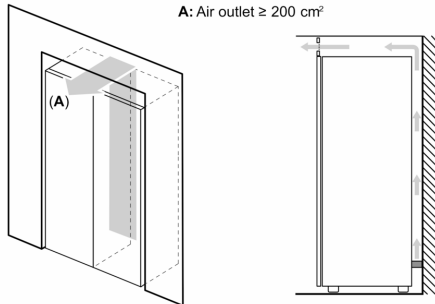
Special Accessories

Environment and Safety

Installation

General Information

**Series 6, free-standing freezer, 186 x 60 cm, Stainless steel (with anti-fingerprint)
GSN36BIEP**



	a	b	c	d	e	f
KSW36, GSD36	187					
KSV36, KSF36, GSN36, GSV36	186					
KSV33, GSN33, GSV33	176	60	65	58	60	119.5
KSV29, GSN29, GSV29	161					
GSV24	146					
GSN51	161					
GSN54	176	70	78	70	70	142
GSN58	191					

a Height
b Width
c Depth with closed door w/o handle and w/o distance part
d Depth of cabinet w/o distance part
e Width with open door w/o handle
f Depth with open door w/o handle w/o distance part

measurements in cm

