

Series 8, wall-mounted cooker hood, 90 cm, clear glass black printed DWK91LT60



A+



- **Easy-to-clean interior:** hidden screws and cables along with rounded edges make cleaning easy.
- **Alexa Voice Control:** manage your appliances with your voice, thanks to the Amazon Alexa.
- **Hob-based hood control:** Convenient control of cooker hood functions via the hob.
- **Home Connect:** hoods with smart connectivity for an easier everyday life.
- **Eco Silence Drive:** the powerful, energy-saving drive for hoods.

DWZ0BX6K1 Chimney extension 1000 mm
 DWZ0BX6L1 Chimney extension 1500 mm
 DWZ1BK1B6 Clean Air Plus odor filter (replacement)
 DWZ1BK1I6 Clean Air Plus recirculation kit
 DWZ1BK1P1 Long Life odor filter (replacement)
 DWZ1BK1R1 Long Life recirculation kit (chimless)
 DWZ1BK1S1 Long Life recirculation kit
 DWZ1BK1V6 Clean Air Plus recirc. kit (chimless)
 HEZG9AS00S Adapter

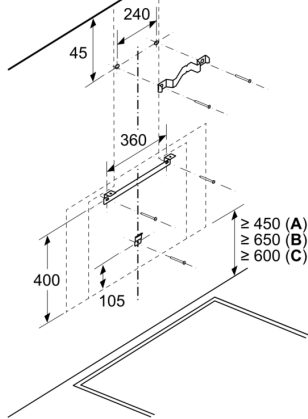
Typology:Wall-mounted
 Length electrical supply cord: 130.0 cm
 Height of the chimney: 420-663/457-750 mm
 Height of product, without chimney: 450 mm
 Net weight: 25.7 kg
 Type of control:Electronic
 Number of speed settings:3-stage + 2 intensive
 Max. air extraction: 441 m³/h
 Boost position output recirculating: 944 m³/h
 Max. air recirculation: 437 m³/h
 Boost position air extraction: 1007 m³/h
 Number of lights: 2
 Noise level:51 dB(A) re 1 pW
 Diameter of air outlet: 150 mm
 Grease filter material: Washable stainless steel
 Odour filter: No
 Operating Mode:Exhaust / Recirculation (Accessory available separately)
 Optional accessories:DWZ0BX6K1, DWZ0BX6L1, DWZ1BK1B6, DWZ1BK1I6, DWZ1BK1P1, DWZ1BK1R1, DWZ1BK1S1, DWZ1BK1V6, HEZG9AS00S
 Grease filter type:Kassette
 Connection rating: 250 W
 Fuse protection: 10 A
 Voltage: 220-240 V
 Frequency: 50; 60 Hz
 Plug type: Gardy plug w/ earthing
 Installation typology:Wall-mounted
 Material body:Glass, Lacquered
 Plug type: Gardy plug w/ earthing
 Dimensions of the product, with chimney (if exists) (in):x x
 Dimensions of the packed product: 30.31 x 28.74 x 48.42
 Net weight:57.000 lbs
 Gross weight: 82.000 lbs
 Motor location: Integrated motor in hood body
 No-return airflow flap: Yes
 Length electrical supply cord: 130.0 cm
 Dimensions of the product, with chimney (if exists): 892-1185 x 890.0 x 447.0 mm
 Dimensions of the packed product (HxWxD): ... 770 x 730 x 1230 mm
 Net weight: 25.7 kg
 Gross weight: 37.0 kg
 Delay Shut off modes: 10 min



Series 8, wall-mounted cooker hood, 90 cm, clear glass black printed DWK91LT60

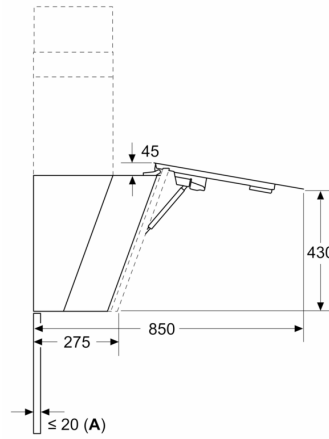
- Inclined design
- Glass plate: clear glass black printed
- Suitable for ducted or re-circulated extraction
- In recirculation operation chimneyless use possible
- Efficient BLDC-technology
- Colour Temperature: 3500 K
- Light Intensity: 422 lux
- 3 speeds plus 2 intensive
- Saturation indicator for grease filter and odor filter
- Voice Control enabled via popular voice assistants (only in countries where this service is available)
- The Home Connect functionality can be extended by integrating numerous applications from external cooperation partners (partnerships)
- Easy to clean smooth surfaces and materials.
- easy to clean Innerframe
- Energy Efficiency Class: A+ (at a range of energy efficiency classes from A+++ to D)
- Average Energy Consumption: 39.1 kWh/year
- Blower Efficiency Class: A*
- Lighting Efficiency Class: A
- Grease Filtering Efficiency Class: C
- Power rating: 250 W
- Voltage: 220 - 240 V
- Dimensions exhaust air (HxWxD): 855-1098 x 890 x 447 mm
- Dimensions recirculating (HxWxD): 892-1185 x 890 x 447 mm
- Diameter pipe Ø 150 mm (Ø 150 mm enclosed)
- Electrical cable length 1.3 m
- with one-way flap

Measurements in mm
Wall installation with chimney



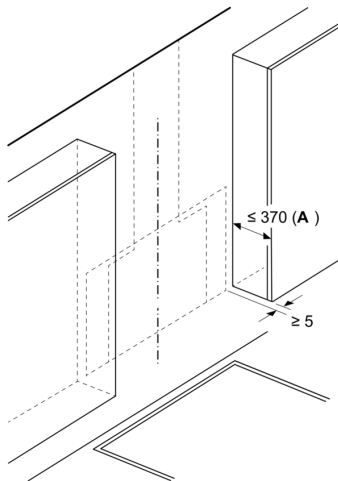
- A: Electric
- B: Gas - from upper edge of pan support
- C: Electric - for Australia and New Zealand

Measurements in mm



- A: Max. back wall thickness

Measurements in mm



- A: Max. depth of side upper cabinets (incl. door) due to installation of glass plate

Appliance must be installed before upper cabinets, if these are deeper than 370 mm