

**Series 2, wall-mounted cooker hood,
80 cm, Black
DWK87EM60**



B



DHZ1225 Chimney extension 1000 mm, DHZ1235 Chimney extension 1500 mm, DHZ5276 Standard odor filter (replacement), DHZ9550 Brushed steel back panel, DHZ9551 Brushed steel back panel, DWZ0XX0J0 Long Life recirculation kit, DWZ1DX1I6 Clean Air Plus recirculation kit, DWZ1EK1U1 Standard recirculation kit, DWZ1FX5C6 Clean Air Plus recirc. kit external, DWZ1FX5D1 Long Life recirculation kit external, DZZ0XX0P0 Long Life odor filter (replacement), DZZ1XX1B6 Clean Air Plus odor filter (replacement), HEZG9AS00S Adapter

**Inclined hood: optimal for keeping an eye
on your pots and pans.**

- **especially silent:** maximal extractor performance with minimal noise
- **TouchSelect control:** quick touch-control selection of desired settings and light.
- **Intensive speed setting:** removes strong kitchen odours especially quickly and effectively.

Typology:Wall-mounted
 Length electrical supply cord: 130.0 cm
 Height of the chimney: 484-770/554-830 mm
 Height of product, without chimney: 296 mm
 Net weight: 14.8 kg
 Type of control:Electronic
 Number of speed settings: 3-stages + intensive setting
 Max. air extraction: 399 m³/h
 Boost position output recirculating: 474 m³/h
 Max. air recirculation: 349 m³/h
 Boost position air extraction: 669 m³/h
 Number of lights: 2
 Noise level: 60 dB(A) re 1 pW
 Diameter of air outlet: 120 / 150 mm
 Grease filter material:Washable aluminium
 Odour filter: No
 Operating Mode:Exhaust / Recirculation (Accessory available separately)
 Optional accessories: DHZ1225, DHZ1235, DHZ5276, DHZ9550, DHZ9551, DWZ0XX0J0, DWZ1DX1I6, DWZ1EK1U1, DWZ1FX5C6, DWZ1FX5D1, DZZ0XX0P0, DZZ1XX1B6, HEZG9AS00S
 Type of lamps used: LED
 Grease filter type:Kassette
 Connection rating: 255 W
 Fuse protection:10 A
 Voltage: 220-240 V
 Frequency: 50; 60 Hz
 Plug type: Gardy plug w/ earthing
 Installation typology:Wall-mounted
 Material body:Glass, Lacquered
 Plug type: Gardy plug w/ earthing
 Dimensions of the product, with chimney (if exists) (in):x x
 Dimensions of the packed product: 17.71 x 34.64 x 25.19
 Net weight:33.000 lbs
 Gross weight: 45.000 lbs
 Motor location: Integrated motor in hood body
 No-return airflow flap: Yes
 Length electrical supply cord: 130.0 cm
 Dimensions of the product, with chimney (if exists): .x 800.0 x 434.0 mm
 Dimensions of the packed product (HxWxD): 450 x 880 x 640 mm
 Net weight: 14.8 kg
 Gross weight: 20.4 kg



Series 2, wall-mounted cooker hood, 80 cm, Black DWK87EM60

Inclined hood: optimal for keeping an eye on your pots and pans.

- Energy Efficiency Class: B (at a range of energy efficiency classes from A+++ to D)
- Average Energy Consumption: 59.4 kWh/year
- Blower Efficiency Class: B*
- Lighting Efficiency Class: A
- Grease Filtering Efficiency Class: C
- Noise min./max. Normal Level: 48/60 dB

Variant:

Design:

Technical information

Performance

Power:

Environment and safety:

Comfort:

Measures:

Technical information

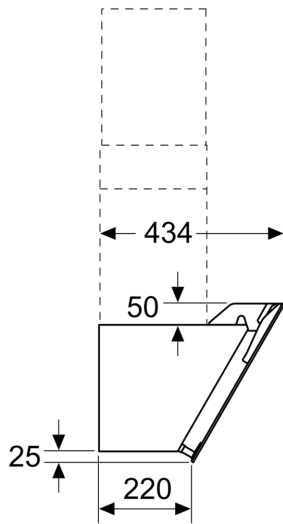
- Inclined Hood black
- 80 cm Wall mounted chimney hood, black
- 80 cm Wall mounted chimney hood
- 80 cm wide
- Glass plate: clear glass black printed
- Suitable for ducted or re-circulated extraction
- For recirculated extraction standard recirculation kit or Clean Air Plus recirculation kit (accessory) needed
- Wall mounted hood
- TouchControl
- Electronic controls
- Electronic control via touch control
- TouchControl with Electronic display
- 3 speeds plus intensive setting via TouchControl
- Electronic controls via TouchControl with Electronic display
- TouchControl (3 speeds plus intensive setting) with Electronic display
- 3 speeds plus intensive setting
- Automatic revert setting, 6 minutes
- Twin channel high performance fan motor
- Energy efficient capacitor motor
- 2 x 1,5 W LED
- Light Intensity: 114 lux
- Colour Temperature: 3500 K
- Metal grease filter, dishwasher safe
- 2 capture areas: front side and bottom side
- RimVentilation
- Filter cover glass
- Extraction rate according to EN 61591 \varnothing 15 cm:

- max. Normal use: 399 m³/h
- Intensive: 669 m³/h
- Extraction rate exhaust air according to EN 61591:
- max. normal use: 399 m³/h, intensive: 669 m³/h
- Noise level according to EN 60704-2-13 exhaust air:
- Max. normal use: 60 dB(A) re 1 pW
- Intensive: 69 dB(A) re 1 pW
- Diameter pipe \varnothing 150 mm (\varnothing 120 mm enclosed)
- with one-way flap
- Max. extraction rate: 669 m³/h
- With the Clean Air Plus recirculation kit (available as optional accessory) your appliances reaches:
- Extraction rate in recirculation mode: Max. normal use: 349 m³/h
- Intensive: 474 m³/h
- Noise level in recirculation mode: Max. normal use: 69 dB(A) re 1 pW
- Intensive: 76 dB(A) re 1 pW
- Dimensions exhaust air (HxWxD): 780-1066 x 800 x 434 mm
- Dimensions recirculating (HxWxD): 850-1126 x 800 x 434 mm
- Dimensions recirculating with CleanAir Plus recirculation kit (HxWxD):
- 956 x 800 x 434 mm - mounting with outer chimney
- 1016-1306 x 800 x 434 mm - mounting with telescopic chimney
- Dimensions recirculating with cleanAir Plus recirculation kit (HxWxD);
- 956 x 800 x 434 mm - mounting with outer chimney
- 1016-1306 x 800 x 434 mm - mounting with telescopic chimney
- Dimensions recirculating with CleanAir Plus recirculation kit (HxWxD):
- 956 x 800 x 434 mm - mounting with outer chimney
- 1016-1306 x 800 x 434 mm - mounting with telescopic chimney
- 956 x 800 x 434 mm - mounting with outer chimney
- 1016-1306 x 800 x 434 mm - mounting with telescopic chimney
- Power rating: 255 W
- Electrical cable length 1.3 m
- Voltage: 220 - 240 V

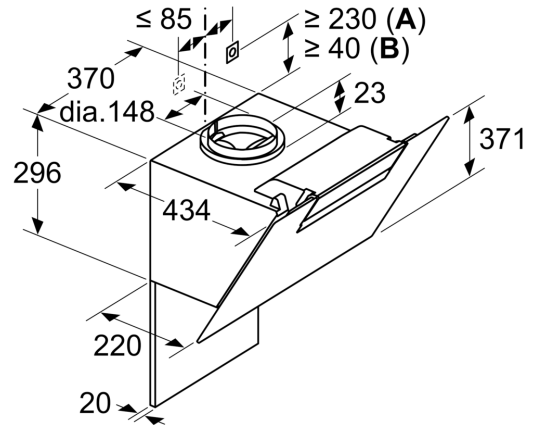
* In accordance with the EU-Regulation No 65/2014

**Series 2, wall-mounted cooker hood,
80 cm, Black
DWK87EM60**

measurements in mm



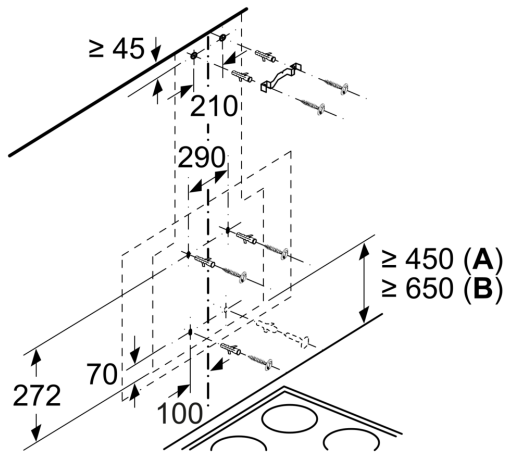
measurements in mm



A: Integrated Clean Air
B: Exhaust air or standard circulated air set

Note the maximum thickness of the back panel.

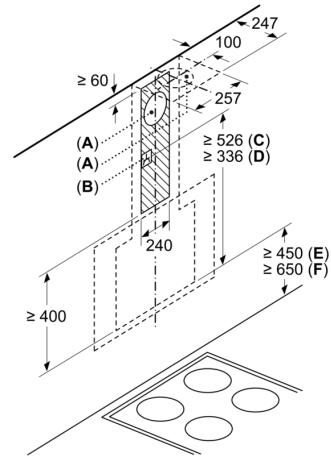
Measurements in mm



From upper edge of pan support

A: Electric
B: Gas

Measurements in mm

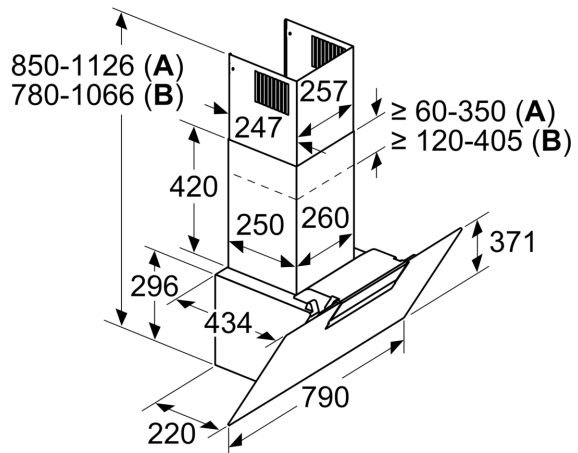


A: Exhaust-air outlet
B: Socket
C: Clean Air Plus circulated air kit
D: Exhaust air or standard circulated air kit

From upper edge of pan support

E: Electric
F: Gas

measurements in mm



- A:** Circulated air
- B:** Exhaust air - slots to be mounted facing down