

**Series 2, built-under cooker hood, 60 cm, Stainless steel  
DUL62FA51**



|         |                      |
|---------|----------------------|
| DHZ2701 | Standard odor filter |
| DHZ1620 | Metal grease filter  |
| DHZ2140 | Grease filter        |

**The built-under cooker hood: save space by mounting the hood beneath your upper cabinet or on the wall.**

Typology: ..... Built-in/Built-under  
 Length electrical supply cord: ..... 145.0 cm  
 Net weight: ..... 6.0 kg  
 Type of control: ..... mechanical  
 Number of speed settings: ..... 3  
 Max. air extraction: ..... 250 m<sup>3</sup>/h  
 Max. air recirculation: ..... 80 m<sup>3</sup>/h  
 Number of lights: ..... 1  
 Noise level: ..... 68 dB(A) re 1 pW  
 Diameter of air outlet: ..... 100 / 120 mm  
 Grease filter material: ..... Not washable synthetic  
 Odour filter: ..... No  
 Operating Mode: ..... Exhaust / Recirculation (Accessory available separately)  
 Optional accessories: ..... DHZ2701, DHZ1620, DHZ2140  
 Total power of the lamps: ..... 4 W  
 Grease filter type: ..... Multilayer  
 Connection rating: ..... 119 W  
 Voltage: ..... 220-240 V  
 Frequency: ..... 50 Hz  
 Plug type: ..... Gardy plug w/ earthing  
 Installation typology: ..... Built-under  
 Material body: ..... Stainless steel  
 Plug type: ..... Gardy plug w/ earthing  
 Dimensions of the product, with chimney (if exists) (in): ..... x x  
 Dimensions of the packed product: ..... 10.62 x 29.13 x 25.59  
 Net weight: ..... 13.000 lbs  
 Gross weight: ..... 22.000 lbs  
 Motor location: ..... Integrated motor in hood body  
 No-return airflow flap: ..... Yes  
 Length electrical supply cord: ..... 145.0 cm  
 Dimensions of the product, with chimney (if exists): ..... 150 x 600.0 x 482.0 mm  
 Dimensions of the packed product (HxWxD): ..... 270 x 740 x 650 mm  
 Net weight: ..... 6.0 kg  
 Gross weight: ..... 9.8 kg



## **Series 2, built-under cooker hood, 60 cm, Stainless steel DUL62FA51**

**The built-under cooker hood: save space by mounting the hood beneath your upper cabinet or on the wall.**

- Energy Efficiency Class: D (at a range of energy efficiency classes from A+++ to D)
- Average Energy Consumption: 69.3 kWh/year
- Blower Efficiency Class: E\*
- Lighting Efficiency Class: E
- Grease Filtering Efficiency Class: D
- Noise min./max. Normal Level: 53/68 dB

**Variant:**

**Design:**

**Technical information**

**Performance**

**Power:**

**Environment and safety:**

**Comfort:**

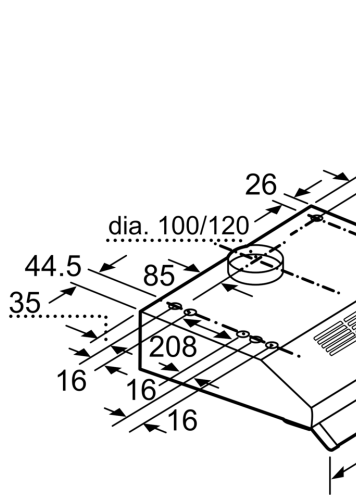
**Measures:**

**Technical information**

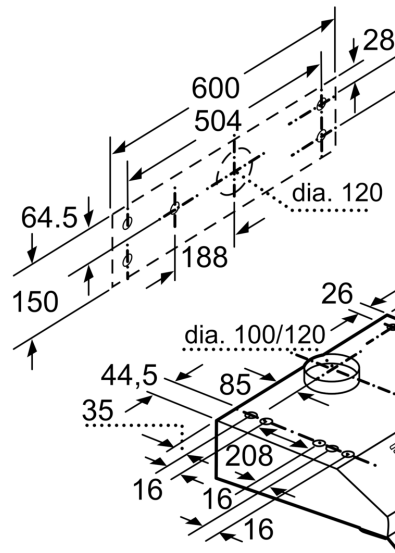
- Built-under Hood Brushed steel
- For installation underneath a wall cupboard or on the wall
- Suitable for ducted or re-circulated extraction
- For recirculated extraction standard odor filter (accessory) needed
- Sliding switch control
- 3 speeds
- Single motor
- Paper grease filter
- Adjustable glass visor
- 1 x 4 W LED 4W E14
- Light Intensity: 45 lux
- Colour Temperature: 3000 K
- Extraction rate exhaust air according to EN 61591: max. 250 m<sup>3</sup>/h
- Noise level according to EN 60704-3 und EN 60704-2-13 at max. normal use exhaust air: 68 dB(A) re 1 pW (54 dB(A) re 20 µPa sound pressure)
- Max. extraction rate: 250 m<sup>3</sup>/h
- Dimensions (HxWxD): 150 x 600 x 482 mm
- 100 or 120 mm diameter pipe
- Power rating: 119 W
- with one-way flap

\* In accordance with the EU-Regulation No 65/2014

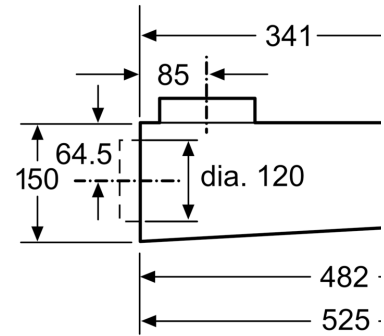
**Series 2, built-under cooker hood, 60  
cm, Stainless steel  
DUL62FA51**



meas



measurements in mm



meas