

**Series 6, canopy cooker hood, 86 cm,  
Stainless steel  
DHL885C**



DHZ5316	Standard odor filter (replacement)
DHZ5605	Standard recirculation kit
DWZ0IT0P0	Long Life odor filter (replacement)
DWZ1IT1D1	Long Life recirculation kit external
DWZ1IX1B6	Clean Air Plus odor filter (replacement)
DWZ1IX1C6	Clean Air Plus recirc. kit external

**The canopy cooker hood: offers you flexibility in your kitchen planning - mount it either on the wall or above a kitchen island.**

- **Silent:** maximal extractor performance with little noise
- **Intensive speed setting:** removes strong kitchen odours especially quickly and effectively.
- **Metal Grease Filter:** cleans the air, captures grease, easy monthly clean-up.

Typology: ..... Built-in/Built-under  
 Length electrical supply cord: ..... 150.0 cm  
 Min. required niche size for installation (HxWxD): 418mm x 836.0mm x 264mm mm  
 Net weight: .....9.9 kg  
 Type of control: .....Electronic  
 Number of speed settings: ..... 3-stages + intensive setting  
 Max. air extraction: ..... 630 m<sup>3</sup>/h  
 Boost position output recirculating: .....639 m<sup>3</sup>/h  
 Max. air recirculation: ..... 568 m<sup>3</sup>/h  
 Boost position air extraction: ..... 730 m<sup>3</sup>/h  
 Number of lights: ..... 2  
 Noise level: .....65 dB(A) re 1 pW  
 Diameter of air outlet: ..... 150 / 120 mm  
 Grease filter material: .....Washable aluminium  
 Odour filter: ..... No  
 Operating Mode: .....Exhaust / Recirculation (Accessory available separately)  
 Optional accessories: DHZ5316, DHZ5605, DWZ0IT0P0, DWZ1IT1D1, DWZ1IX1B6, DWZ1IX1C6  
 Type of lamps used: ..... LED  
 Total power of the lamps: ..... 2 W  
 Grease filter type: .....Kassette  
 Connection rating: ..... 277 W  
 Fuse protection: .....3 A  
 Voltage: ..... 220-240 V  
 Frequency: ..... 50 Hz  
 Plug type: ..... Gardy plug w/ earthing  
 Installation typology: ..... Built-in  
 Material body: ..... Stainless steel  
 Plug type: ..... Gardy plug w/ earthing  
 Dimensions of the product, with chimney (if exists) (in): .....x x  
 Dimensions of the packed product: ..... 14.56 x 18.30 x 38.18  
 Net weight: ..... 22.000 lbs  
 Gross weight: ..... 31.000 lbs  
 Motor location: ..... Integrated motor in hood body  
 No-return airflow flap: ..... Yes  
 Length electrical supply cord: ..... 150.0 cm  
 Dimensions of the product, with chimney (if exists): .....418 x 860.0 x 300.0 mm  
 Dimensions of the packed product (HxWxD): ..... 370 x 465 x 970 mm  
 Net weight: .....9.9 kg  
 Gross weight: ..... 13.9 kg



## Series 6, canopy cooker hood, 86 cm, Stainless steel DHL885C

**The canopy cooker hood: offers you flexibility in your kitchen planning - mount it either on the wall or above a kitchen island.**

- Extraction rate in recirculation mode: Max. normal use:568m<sup>3</sup>/h
- Intensive:639m<sup>3</sup>/h
- Noise level in recirculation mode: Max. normal use:71dB(A) re 1 pW
- Intensive:74 dB(A) re 1 pW

\* In accordance with the EU-Regulation No 65/2014

- 
- Energy Efficiency Class: C (at a range of energy efficiency classes from A+++ to D)
  - Average Energy Consumption: 103.1 kWh/year
  - Blower Efficiency Class: C\*
  - Lighting Efficiency Class: A
  - Grease Filtering Efficiency Class: D
  - Noise min./max. Normal Level: 52/65 dB

### Variant:

### Design:

### Technical information

### Environment and safety:

### Comfort:

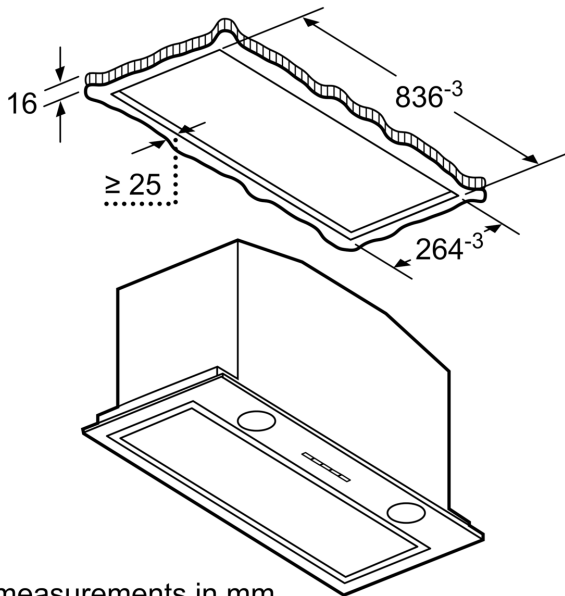
### Measures:

- Canopy Brushed steel
- Suitable for ducted or re-circulated extraction
- For recirculated extraction standard recirculation kit or Clean Air Plus recirculation kit (accessory) needed
- For installation in a kitchen cabinet
- Electronic controls
- Push button controls with Electronic display
- 3 speeds plus intensive setting
- Automatic revert setting, 6 minutes
- RimVentilation
- Filter cover stainless steel
- Metal grease filter, dishwasher safe
- 2 x LED spot 1W
- Light Intensity: 266 lux
- Colour Temperature: 4000 K
- Twin channel high performance fan motor
- Extraction rate exhaust air according to EN 61591:
- max. normal use630 m<sup>3</sup>/h, intensive 730 m<sup>3</sup>/h
- Noise level according to EN 60704-2-13 exhaust air:
- Max. normal use:65dB(A) re 1 pW
- Intensive:68 dB(A) re 1 pW
- Max. extraction rate: 730 m<sup>3</sup>/h
- Dimensions (HxWxD): 418 x 860 x 300 mm
- Built-in dimensions (HxWxD): 418 x 836 x 264 mm
- Power rating: 277 W
- 120 or 150 mm diameter pipe
- with one-way flap

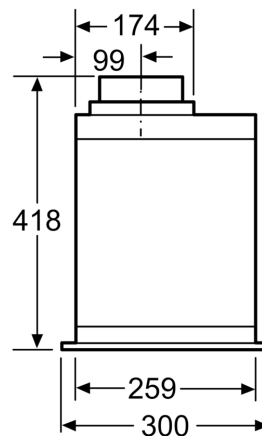
### Technical information

- With the Clean Air Plus recirculation kit (available as optional accessory) your appliances reaches:

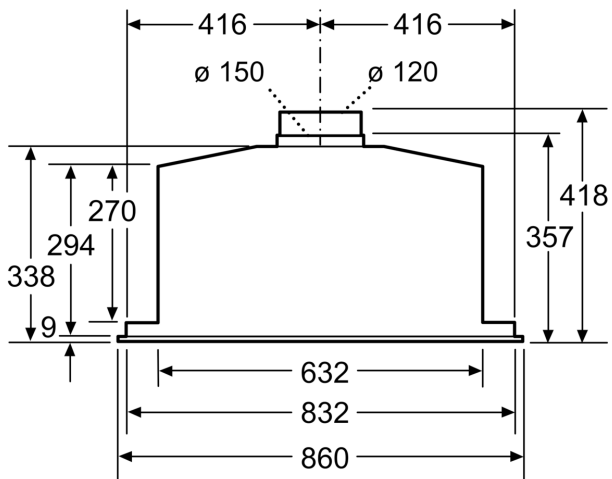
**Series 6, canopy cooker hood, 86 cm,  
Stainless steel  
DHL885C**



measurements in mm

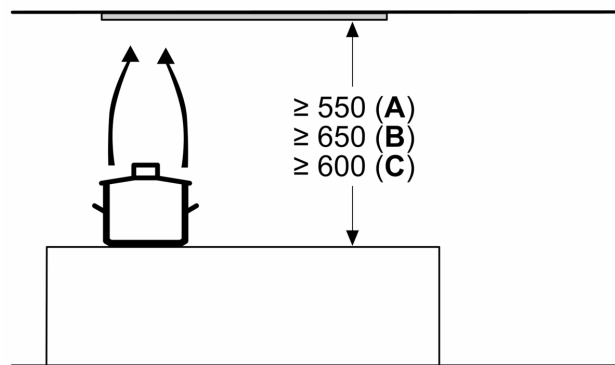


measurements in mm



measurements in mm

Measurements in mm



**A:** Electric

**B:** Gas - from upper edge of pan support

**C:** Electric - for Australia and New Zealand