

**Series 8, Built-in compact oven with  
microwave function, 60 x 45 cm,  
White  
CMG7241W1**



1 x combination grid, 1 x universal pan

HEZ327000 Pizza stone, HEZ530000 Half tray, HEZ531010 Baking tray, non-stick ceramic coated, HEZ532010 Universal pan, non-stick ceramic coated, HEZ617000 Pizza pan, enamelled, HEZ629070 Air Fry & Grill tray, HEZ631070 Baking tray, enamelled, HEZ632070 Multipurpose pan, enamelled, HEZ634000 Baking and roasting grid (standard), HEZ636000 Glass pan, HEZ660050 Cover Strip, HEZ660060 Strip, HEZ664000 Baking and roasting grid (steam), HEZ915003 Glass roasting dish, 5,4 L, HEZG0AS00 Connecting cable 3m

Additional function: ..... Microwave combination  
 Type of control: ..... Electronic  
 Dimensions: ..... 455 x 594 x 548 mm  
 Cavity dimensions: ..... 237.0 x 480 x 392.0 mm  
 Length electrical supply cord: ..... 150.0 cm  
 Net weight: ..... 35.3 kg  
 Gross weight: ..... 37.6 kg  
 Max. microwave power level: ..... 900 W  
 Number of Power Levels: ..... 5  
 Turntable: ..... No  
 Heating type: ..... Circulating air gentle  
 Cavity material: ..... Enamelled steel  
 Door opening: ..... Handle  
 Clock: ..... Yes  
 Included accessories: ..... 1 x combination grid, 1 x universal pan  
 Height of the appliance: ..... 455 mm  
 Width of the appliance: ..... 594 mm  
 Depth of the product: ..... 548 mm  
 Max. microwave power level: ..... 900 W  
 Connection rating: ..... 3600 W  
 Fuse protection: ..... 16 A  
 Voltage: ..... 220-240 V  
 Frequency: ..... 50 Hz  
 Plug type: ..... Gardy plug w/ earthing  
 Required cutout/niche size for installation (in): ..... x  
 Dimensions of the packed product: ..... 21.25 x 25.59 x 26.77  
 Net weight: ..... 78.000 lbs  
 Gross weight: ..... 83.000 lbs



## **Series 8, Built-in compact oven with microwave function, 60 x 45 cm, White CMG7241W1**

---

### **Type of oven / heating system:**

- Intelligent inverter technology: maximum output power will be regulated to 600 W when used in longer operation
- Temperature range 30 °C - 230 °C
- Cavity volume: 45 l

### **Hook-in racks / rails**

- Number of shelf levels: 3 PC

### **Design:**

- Touch control
- Cavity inner surface: enamel anthracite

### **Cleaning:**

- Hydro Clean

### **Comfort:**

- Electronic clock
- Temperature proposal
- Actual temperature display Heating-up control
- Oven door with SoftOpen and SoftClose, Drop down door
- Supporting systems: Dish Assist
- Rapid heating-up
- LED light, Switch for oven illumination
- Integral cooling fan
- HomeConnect ready on Wi-Fi

### **Accessory:**

- combination grid, universal pan

### **Environment and Safety:**

- low door temperature
- Mechanical safety locking device
- Child lock Automatic switch off Residual heat indicator Start-/Stop button Door contact switch

### **Technical Information**

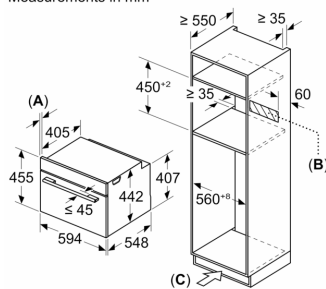
- Length of mains cable: 150 cm
- Nominal voltage: 220 - 240 V
- Total connected load electric: 3.6 KW

### **Dimensions:**

- Appliance dimension (hxwx): 455 mm x 594 mm x 548 mm
- Niche dimension (hxwx): 450 mm - 455 mm x 560 mm - 568 mm x 550 mm
- "Please reference the built-in dimensions provided in the installation drawing"

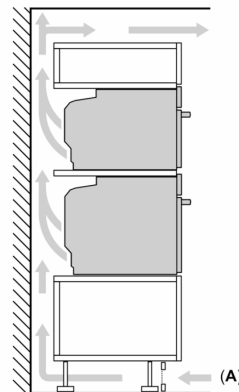
**Series 8, Built-in compact oven with  
microwave function, 60 x 45 cm,  
White  
CMG7241W1**

Measurements in mm

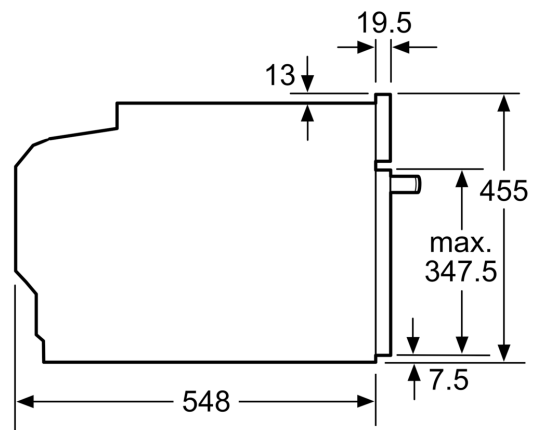
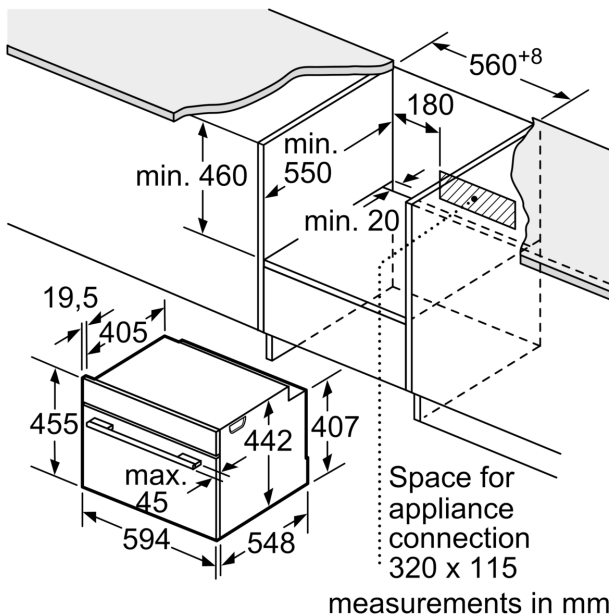


- A: 19.5 mm
- B: Space for appliance connection  
320 x 115 mm
- C: Ventilation space in the base  $\geq$   
200 cm<sup>2</sup>

**Installing two appliances on top of each  
other  
Air exchange**



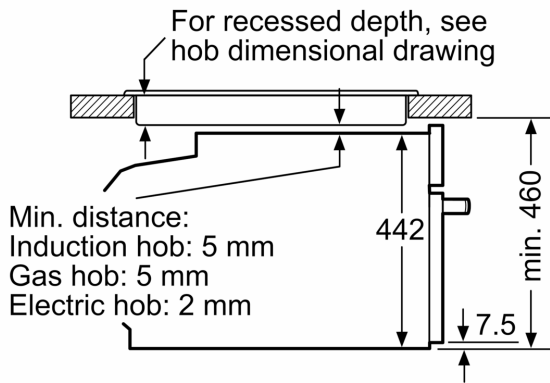
A: Air inlet  $\geq$  200 cm<sup>2</sup>



measurements in mm

### Installation with a hob.

If the compact appliance will be installed underneath a hob, the following worktop thicknesses (including substructure if necessary) must be taken into account.



measurements in mm

Hob type	min. worktop thickness	
	fitted	flush
Induction hob	42 mm	43 mm
Full surface Induction hob	52 mm	53 mm
Gas hob	32 mm	43 mm
Electric hob	32 mm	35 mm