

**Series 8, Built-in compact oven with
microwave function, 60 x 45 cm,
Black
CMG7241B1**



1 x combination grid, 1 x universal pan

HEZG0AS00 Connecting cable 3m, HEZ915003 Glass roasting dish, 5,4 L, HEZ327000 Pizza stone, HEZ530000 Half tray, HEZ531010 Baking tray, non-stick ceramic coated, HEZ532010 Universal pan, non-stick ceramic coated, HEZ617000 Pizza pan, enamelled, HEZ629070 Air Fry & Grill tray, HEZ631070 Baking tray, enamelled, HEZ632070 Multipurpose pan, enamelled, HEZ634000 Baking and roasting grid (standard), HEZ636000 Glass pan, HEZ660050 Cover Strip, HEZ660060 Strip, HEZ664000 Baking and roasting grid (steam)

Additional function: Microwave combination
 Type of control: Electronic
 Dimensions: 455 x 594 x 548 mm
 Cavity dimensions: 237.0 x 480 x 392.0 mm
 Length electrical supply cord: 150.0 cm
 Net weight: 35.3 kg
 Gross weight: 37.6 kg
 Max. microwave power level: 900 W
 Number of Power Levels: 5
 Turntable: No
 Heating type: Circulating air gentle
 Cavity material: Enamelled steel
 Door opening: Handle
 Clock: Yes
 Included accessories: 1 x combination grid, 1 x universal pan
 Height of the appliance: 455 mm
 Width of the appliance: 594 mm
 Depth of the product: 548 mm
 Max. microwave power level: 900 W
 Connection rating: 3600 W
 Fuse protection: 16 A
 Voltage: 220-240 V
 Frequency: 50 Hz
 Plug type: Gardy plug w/ earthing
 Required cutout/niche size for installation (in): x
 Dimensions of the packed product: 21.25 x 25.59 x 26.77
 Net weight: 78.000 lbs
 Gross weight: 83.000 lbs



Series 8, Built-in compact oven with microwave function, 60 x 45 cm, Black CMG7241B1

Type of oven / heating system:

- Intelligent inverter technology: maximum output power will be regulated to 600 W when used in longer operation
- Temperature range 30 °C - 230 °C
- Cavity volume: 45 l

Hook-in racks / rails

- Number of shelf levels: 3 PC

Design:

- Touch control
- Cavity inner surface: enamel anthracite

Cleaning:

- Hydro Clean

Comfort:

- Electronic clock
- Temperature proposal
- Actual temperature display Heating-up control
- Oven door with SoftOpen and SoftClose, Drop down door
- Supporting systems: Dish Assist
- Rapid heating-up
- LED light, Switch for oven illumination
- Integral cooling fan
- HomeConnect ready on Wi-Fi

Accessory:

- combination grid, universal pan

Environment and Safety:

- low door temperature
- Mechanical safety locking device
- Child lock Automatic switch off Residual heat indicator Start-/Stop button Door contact switch

Technical Information

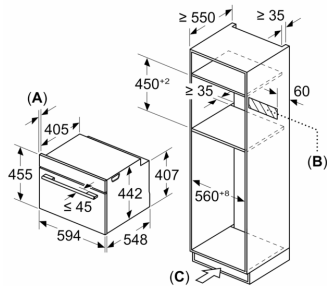
- Length of mains cable: 150 cm
- Nominal voltage: 220 - 240 V
- Total connected load electric: 3.6 KW

Dimensions:

- Appliance dimension (hxwx): 455 mm x 594 mm x 548 mm
- Niche dimension (hxwx): 450 mm - 455 mm x 560 mm - 568 mm x 550 mm
- "Please reference the built-in dimensions provided in the installation drawing"

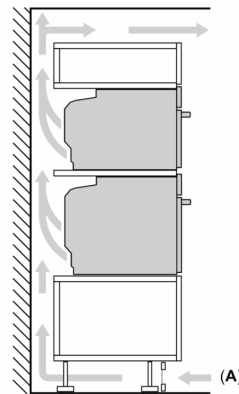
**Series 8, Built-in compact oven with
microwave function, 60 x 45 cm,
Black
CMG7241B1**

Measurements in mm

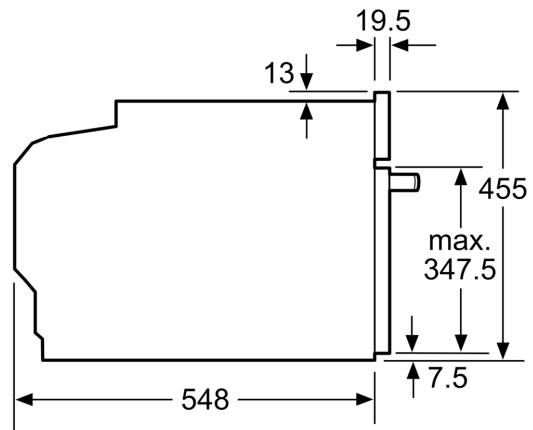
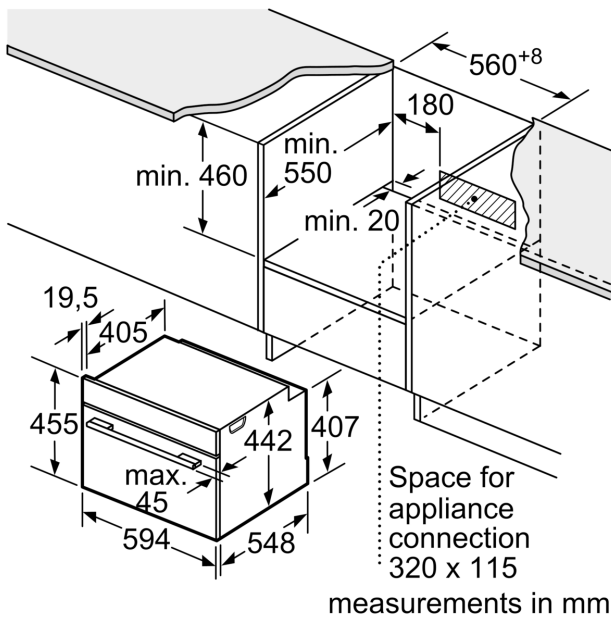


- A: 19.5 mm
- B: Space for appliance connection
320 x 115 mm
- C: Ventilation space in the base \geq
200 cm²

**Installing two appliances on top of each
other
Air exchange**

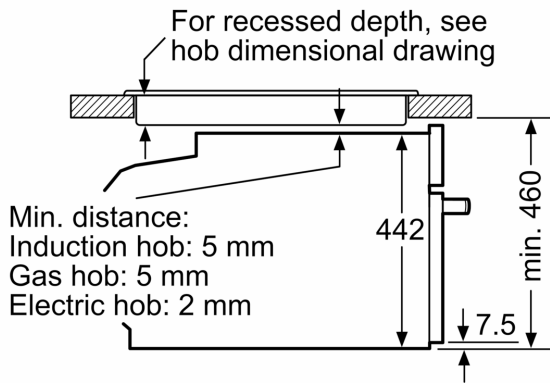


A: Air inlet \geq 200 cm²



Installation with a hob.

If the compact appliance will be installed underneath a hob, the following worktop thicknesses (including substructure if necessary) must be taken into account.



measurements in mm

| Hob type | min. worktop thickness | |
|----------------------------|------------------------|-------|
| | fitted | flush |
| Induction hob | 42 mm | 43 mm |
| Full surface Induction hob | 52 mm | 53 mm |
| Gas hob | 32 mm | 43 mm |
| Electric hob | 32 mm | 35 mm |