

Series 8, Built-in compact oven with microwave function, 60 x 45 cm, Stainless steel CMG676BS1



1 x combination grid, 1 x universal pan

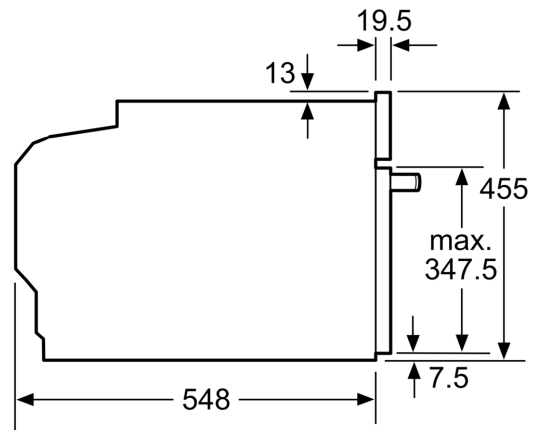
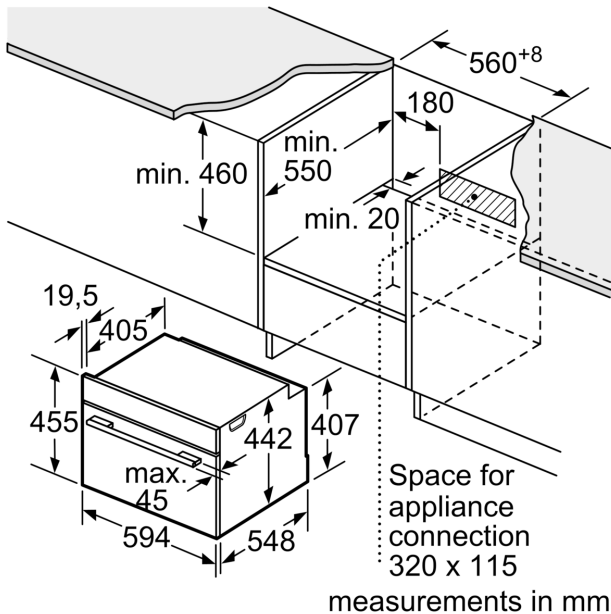
HEZ327000 Pizza stone, HEZ617000 Pizza pan, enamelled, HEZ625071 Grill tray, anthracite, HEZ631070 Baking tray, enamelled, HEZ632070 Multipurpose pan, enamelled, HEZ634080 Baking and roasting grid (microwave), HEZ636000 Glass pan, HEZ660050 Cover Strip, HEZ660060 Strip, HEZ664000 Baking and roasting grid (steam), HEZ915003 Glass roasting dish, 5,4 L, HEZG0AS00 Connecting cable 3m, HZ531010 Baking tray, non-stick ceramic coated, HZ532010 Universal pan, non-stick ceramic coated

- **Microwave function:** for quick warming up or for fast cooking in combination with hotair.
- **TFT-touchdisplay:** easy-to-use thanks to the control ring with clear text and images.
- **Pyrolytic self-cleaning:** no cleaning effort thanks to automatic self-cleaning.
- **LED-light:** perfect illumination of foods with minimum energy
- **consumption.**
- **Flap door with SoftOpen and SoftClose: the oven door opens and closes especially gently and quietly.**

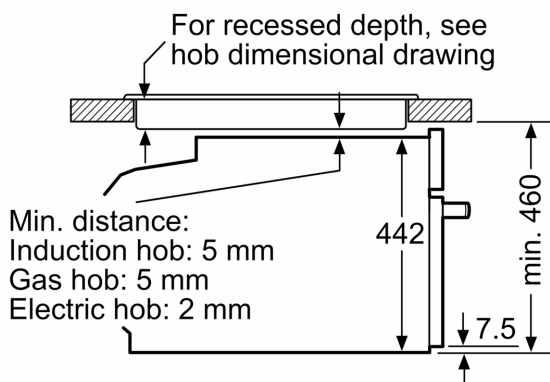
Additional function: Microwave combination
 Type of control: Electronic
 Dimensions: 455 x 594 x 548 mm
 Cavity dimensions: 237.0 x 480 x 392.0 mm
 Length electrical supply cord: 150.0 cm
 Net weight: 35.2 kg
 Gross weight: 38.2 kg
 Max. microwave power level: 900 W
 Number of Power Levels: 5
 Turntable: No
 Cavity material: Enamelled steel
 Door opening: Handle
 Clock: Yes
 Included accessories: 1 x combination grid, 1 x universal pan
 Height of the appliance: 455 mm
 Width of the appliance: 594 mm
 Depth of the product: 548 mm
 Max. microwave power level: 900 W
 Connection rating: 3600 W
 Fuse protection: 16 A
 Voltage: 220-240 V
 Frequency: 60; 50 Hz
 Plug type: Gardy plug w/ earthing
 Alternative colors available: CMG676BB1
 Required cutout/niche size for installation (in): x
 Dimensions of the packed product: 20.86 x 25.98 x 26.77
 Net weight: 78.000 lbs
 Gross weight: 84.000 lbs



**Series 8, Built-in compact oven with
microwave function, 60 x 45 cm,
Stainless steel
CMG676BS1**



Installation with a hob.



If the compact appliance will be installed underneath a hob, the following worktop thicknesses (including substructure if necessary) must be taken into account.

Hob type	min. worktop thickness	
	fitted	flush
Induction hob	42 mm	43 mm
Full surface Induction hob	52 mm	53 mm
Gas hob	32 mm	43 mm
Electric hob	32 mm	35 mm

