

Series 8, Built-in compact oven with microwave function, 60 x 45 cm, Stainless steel CMG633BS1



1 x combination grid, 1 x universal pan

HEZ327000 Pizza stone, HEZ530000 Half tray, HEZ531010 Baking tray, non-stick ceramic coated, HEZ532010 Universal pan, non-stick ceramic coated, HEZ617000 Pizza pan, enamelled, HEZ625071 Grill tray, anthracite, HEZ631070 Baking tray, enamelled, HEZ632070 Multipurpose pan, enamelled, HEZ634080 Baking and roasting grid (microwave), HEZ636000 Glass pan, HEZ660050 Cover Strip, HEZ660060 Strip, HEZ664000 Baking and roasting grid (steam), HEZ915003 Glass roasting dish, 5,4 L, HEZG0AS00 Connecting cable 3m

The compact oven with microwave function: enables you to achieve perfect baking and roasting results very quickly.

- **Microwave function:** for quick warming up or for fast cooking in combination with hotair.
- **AutoPilot 14:** every dish is a perfect success thanks to 14 pre-set automatic programmes.
- **TFT Touch Display:** easy-to-use thanks to the Control Ring with clear text and symbols.
- **LED-light:** perfect illumination of foods with minimum energy
- **consumption.**
- **Flap door with SoftOpen and SoftClose:** the oven door opens and closes especially gently and quietly.

Additional function: Microwave combination
 Type of control:Electronic
 Dimensions: 455 x 594 x 548 mm
 Cavity dimensions: 237.0 x 480 x 392.0 mm
 Length electrical supply cord: 150.0 cm
 Net weight: 35.5 kg
 Gross weight: 37.8 kg
 Max. microwave power level: 900 W
 Number of Power Levels: 5
 Turntable: No
 Cavity material: Enamelled steel
 Door opening: Handle
 Clock: Yes
 Included accessories: 1 x combination grid, 1 x universal pan
 Height of the appliance: 455 mm
 Width of the appliance: 594 mm
 Depth of the product: 548 mm
 Max. microwave power level: 900 W
 Connection rating: 3600 W
 Fuse protection: 16 A
 Voltage: 220-240 V
 Frequency: 60; 50 Hz
 Plug type: GARDY plug w/ earthing
 Alternative colors available: CMG633BB1, CMG633BW1
 Required cutout/niche size for installation (in): X
 Dimensions of the packed product: 20.47 x 25.59 x 26.77
 Net weight: 78.000 lbs
 Gross weight: 83.000 lbs



Series 8, Built-in compact oven with microwave function, 60 x 45 cm, Stainless steel CMG633BS1

- "Please reference the built-in dimensions provided in the installation drawing"

The compact oven with microwave function: enables you to achieve perfect baking and roasting results very quickly.

Type of oven / heating system:

- Compact oven with microwave with 6 heating methods: 4D hotair, Hotair Eco,, Hot air grilling, Full width grill, Half width grill, Preheating
- Additional heating methods with microwave: microwave, combi microwave constant
- Intelligent inverter technology: maximum output power will be regulated to 600 W when used in longer operation
- Max. Power: 900 W; 5 Microwave power settings (90 W,180 W,360 W,600 W, max) with Inverter (MW)
- Temperature range 30 °C - 275 °C
- Cavity volume: 45 l

Hook-in racks / rails

- Number of shelf levels: 3 PC

Design:

- Rotary swivel

Cleaning:

Comfort:

- 2,5"-TFT-color and text display with touch-control buttons
- Electronic clock
- Temperature proposal
- Actual temperature display Heating-up control
- AutoPilot 14
- Oven door with SoftOpen and SoftClose, Drop down door
- Bar handle
- Supporting systems: Programs
- Rapid heating-up
- LED light, Switch for oven illumination
- Integral cooling fan

Accessory:

- universal pan, combination grid

Environment and Safety:

- low door temperature
- Mechanical safety locking device
- Child lock Automatic switch off Residual heat indicator Start-/Stop button Door contact switch

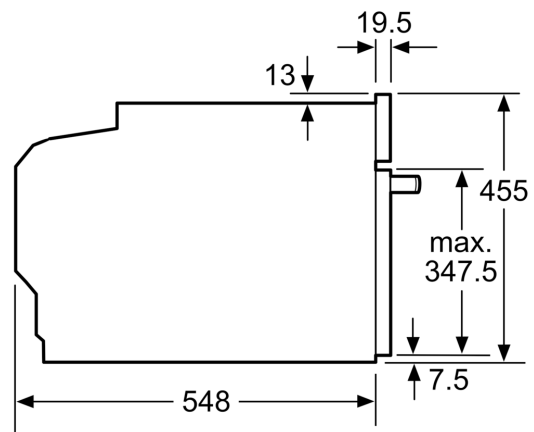
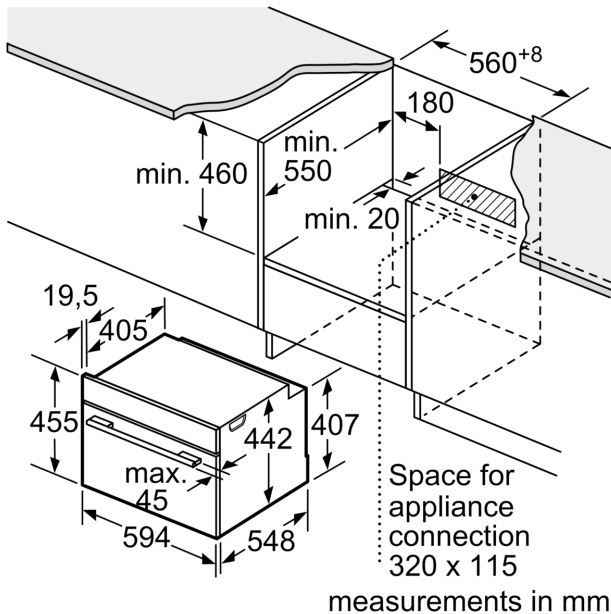
Technical Information

- Length of mains cable: 150 cm
- Nominal voltage: 220 - 240 V
- Total connected load electric: 3.6 KW

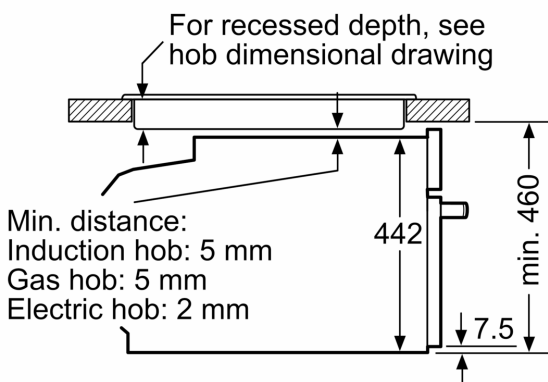
Dimensions:

- Appliance dimension (hxwx): 455 mm x 594 mm x 548 mm
- Niche dimension (hxwx): 450 mm - 455 mm x 560 mm - 568 mm x 550 mm

**Series 8, Built-in compact oven with
microwave function, 60 x 45 cm,
Stainless steel
CMG633BS1**



Installation with a hob.



If the compact appliance will be installed underneath a hob, the following worktop thicknesses (including substructure if necessary) must be taken into account.

Hob type	min. worktop thickness	
	fitted	flush
Induction hob	42 mm	43 mm
Full surface Induction hob	52 mm	53 mm
Gas hob	32 mm	43 mm
Electric hob	32 mm	35 mm

