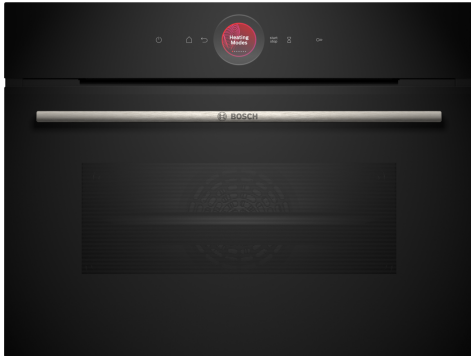


Series 8, Built-in compact oven, 60 x 45 cm, Black CBG7341B1



1 x combination grid, 1 x universal pan

HEZ327000 Pizza stone, HEZ32WA00 Wireless food thermometer, HEZ530000 Half tray, HEZ531010 Baking tray, non-stick ceramic coated, HEZ532010 Universal pan, non-stick ceramic coated, HEZ538000 1fold telescopic rail, level independent, HEZ617000 Pizza pan, enamelled, HEZ629070 Air Fry & Grill tray, HEZ631070 Baking tray, enamelled, HEZ632070 Multipurpose pan, enamelled, HEZ634000 Baking and roasting grid (standard), HEZ636000 Glass pan, HEZ638000 Full ext rails, level independent, HEZ660050 Cover Strip, HEZ660060 Strip, HEZ664000 Baking and roasting grid (steam), HEZ915003 Glass roasting dish, 5,4 L, HEZG0AS00 Connecting cable 3m

Gross weight: 30.3 kg
 Built-in / Free-standing: Built-in
 Integrated Cleaning system: EcoClean Direct program, Hydrolytic
 Min. required niche size for installation (HxWxD): 450-455 x 560-568 x 550 mm
 Dimensions: 455 x 594 x 548 mm
 Dimensions of the packed product (HxWxD): 520 x 670 x 690 mm
 Control Panel Material: Glass
 Door Material: Glass
 Net weight: 28.0 kg
 Usable volume of cavity: 47 l
 Heating modes:: Defrost, Air fry, Full width grill, Half width grill, Conventional heat, Conventional heat gentle, Bottom heat, Hot air grilling, Circulating air gentle, Circulating air, pre-heating, warming
 Number of interior lights: 1
 Length electrical supply cord: 150.0 cm
 Interior Lights - cavity 1: 1
 Pull-out system: Accessory
 Included accessories: 1 x combination grid, 1 x universal pan
 Broil Element Wattages cavity 1: 2800 W
 Energy efficiency class: A+
 Energy consumption per cycle conventional (2010/30/EC): 0.73 kWh/cycle
 Energy consumption per cycle forced air convection (2010/30/EQ): 61 kWh/cycle
 Energy efficiency index (2010/30/EC): 81.3 %
 Connection rating: 2900 W
 Fuse protection: 13 A
 Voltage: 220-240 V
 Frequency: 50; 60 Hz
 Plug type: GARDY plug w/ earthing
 Energy input: Electric
 Required cutout/niche size for installation (in): x
 Dimensions of the packed product: 20.47 x 26.37 x 27.16
 Net weight: 62.000 lbs
 Gross weight: 67.000 lbs
 Length electrical supply cord: 150.0 cm
 Net weight: 28.0 kg



Series 8, Built-in compact oven, 60 x 45 cm, Black CBG7341B1

Type of oven / heating system:

- Temperature range 30 °C - 300 °C
- Cavity volume: 47 l

Hook-in racks / rails

- Number of shelf levels: 3 PC
- Accessory

Design:

- Touch control
- Cavity inner surface: enamel anthracite

Cleaning:

- EcoClean Direct: coating of back panel
- Hydro Clean
- Full glass inner door

Comfort:

- Electronic clock
- Temperature proposal
- Actual temperature display Heating-up control
- Oven door with SoftOpen and SoftClose, Drop down door
- Supporting systems: Dish Assist
- Rapid heating-up
- Halogen interior lighting, Switch for oven illumination
- Integral cooling fan
- HomeConnect ready on Wi-Fi

Accessory:

- combination grid, universal pan

Environment and Safety:

- low door temperature
- Child lock
- Automatic switch off Residual heat indicator Start-/Stop button
Door contact switch

Technical Information

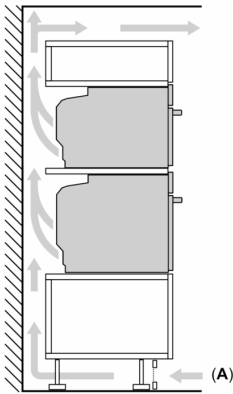
- Length of mains cable: 150 cm
- Nominal voltage: 220 - 240 V
- Total connected load electric: 2.9 KW
- Energy efficiency rating (acc. EU Nr. 65/2014): A+(at a range of energy efficiency classes from A+++ to D)
- Energy consumption per cycle in conventional mode:0.73 kWh
- Energy consumption per cycle in fan-forced convection mode:0.61 kWh
- Number of cavities: 1 Heat source: electrical Cavity volume:47 l

Dimensions:

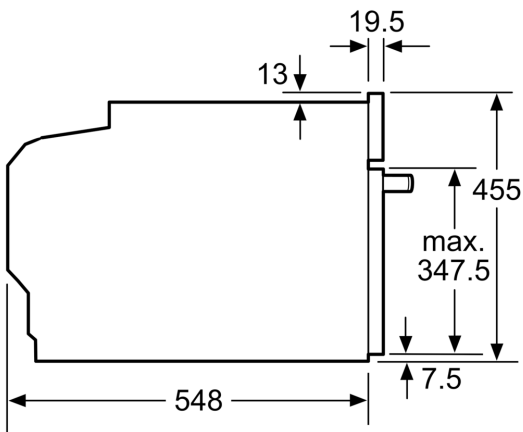
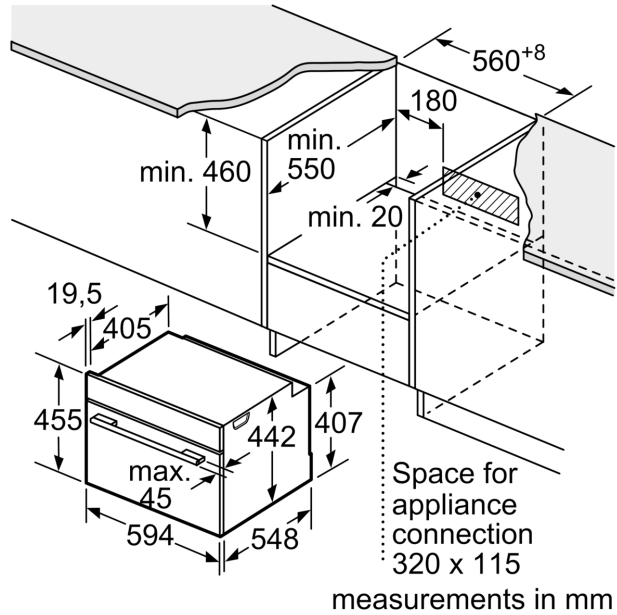
- Appliance dimension (hxwxh): 455 mm x 594 mm x 548 mm
- Niche dimension (hxwxh): 450 mm - 455 mm x 560 mm - 568 mm x 550 mm
- "Please reference the built-in dimensions provided in the installation drawing"

**Series 8, Built-in compact oven, 60 x 45 cm, Black
CBG7341B1**

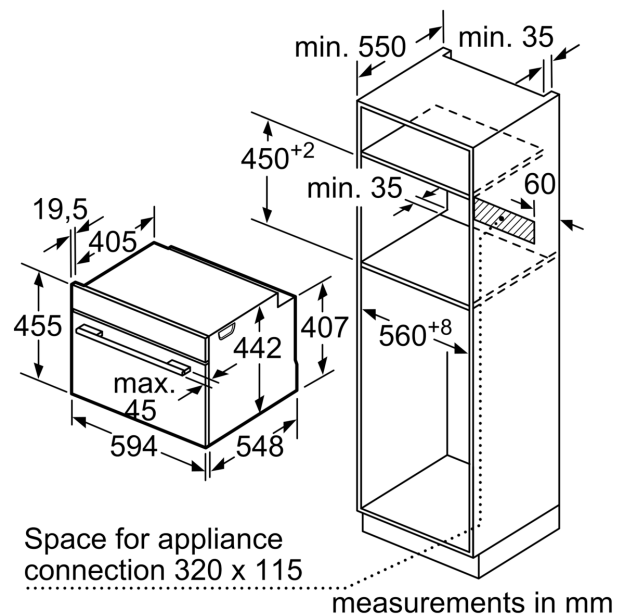
Installing two appliances on top of each other
other
Air exchange



A: Air inlet $\geq 200 \text{ cm}^2$



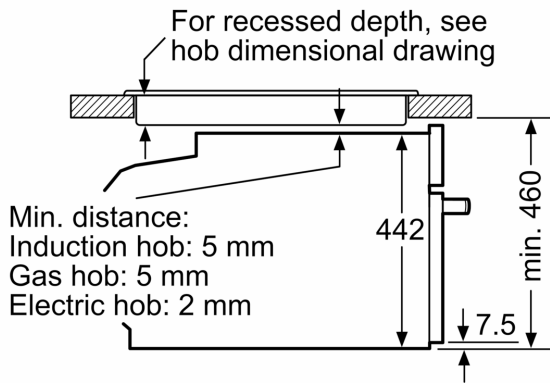
measurements in mm



measurements in mm

Installation with a hob.

If the compact appliance will be installed underneath a hob, the following worktop thicknesses (including substructure if necessary) must be taken into account.



measurements in mm

Hob type	min. worktop thickness	
	fitted	flush
Induction hob	42 mm	43 mm
Full surface Induction hob	52 mm	53 mm
Gas hob	32 mm	43 mm
Electric hob	32 mm	35 mm