

**Series 8, Built-in accessory drawer,
60 x 14 cm, Black
BIE7101B1**



1 x Anti-slip mat

HEZ32WA00 Wireless food thermometer

- **Push-pull mechanism:** easy opening and closing thanks to a practical spring mechanism.

Built-in / Free-standing: Built-in
 Maximum number of plates: 14
 Maximum number of espresso cups: 64
 Dimensions: 140 x 594 x 518 mm
 Dimensions of the packed product (HxWxD): 260 x 650 x 700 mm
 Min. required niche size for installation (HxWxD): 140 x 560 x 550 mm
 Time control: No
 Required cutout/niche size for installation (in):x
 Dimensions of the packed product: 10.23 x 25.59 x 27.55
 Net weight:37.000 lbs
 Gross weight: 42.000 lbs
 Min. required niche size for installation (HxWxD): 140 x 560 x 550 mm
 Dimensions: 140 x 594 x 518 mm
 Dimensions of the packed product (HxWxD): 260 x 650 x 700 mm
 Net weight: 16.9 kg
 Gross weight: 18.9 kg
 Included accessories: 1 x Anti-slip mat



Series 8, Built-in accessory drawer, 60 x 14 cm, Black BIE7101B1

Design:

- stainless steel cavity

Comfort:

- Volume: 21 l
- Loading up to 15 kg
- Max. loading espresso cups: 64 PC or Max. loading plates: 14 PC
- Opening without handle (push&pull)

Accessory:

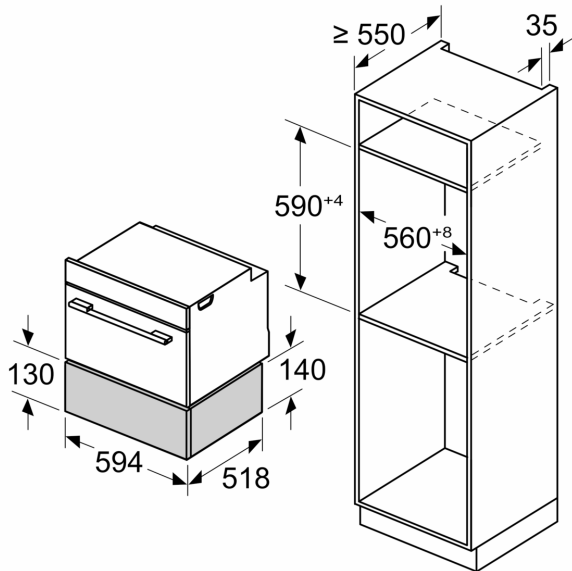
- Anti-slip mat

Technical Information**Dimensions:**

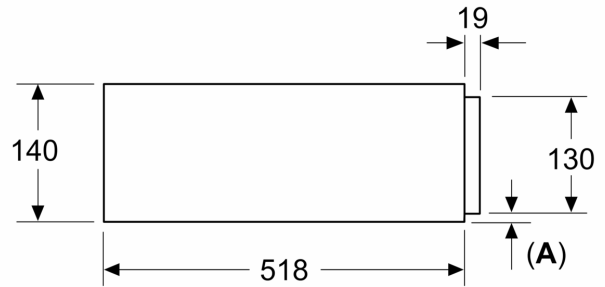
- Appliance dimension (hxwxd): 140 mm x 594 mm x 518 mm
- Niche dimension (hxwxd): 140 mm x 560 mm - 568 mm x 550 mm
- "Please reference the built-in dimensions provided in the installation drawing"

**Series 8, Built-in accessory drawer,
60 x 14 cm, Black
BIE7101B1**

Measurements in mm



Measurements in mm



A: 7.5 mm

Compact ovens with appliance height of 455 mm can be installed above the warming drawer without an intermediate floor