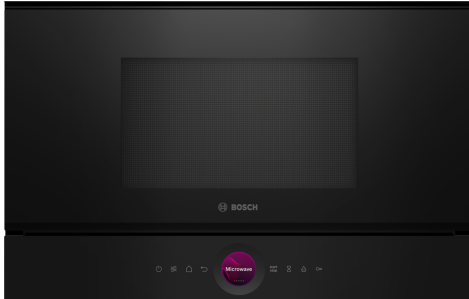


## Series 8, Built-In Microwave, Black BFL7221B1



HEZ6UCC0 Cookbook  
HEZG9AS00S Adapter

- **AutoPilot 7:** every dish is a perfect success thanks to 7 pre-set automatic programmes.
- **Stainless steel interior:** easy to clean interior thanks to smooth surfaces and no sharp edges.
- **Electronical door opening:** comfortable door opening just with a fingertip on the sensor button.
- **Convection Cooking Delivers Oven-Like Results**
- **Low Profile Design With Touch "Open" and "Close"**

Additional function: ..... Microwave only  
 Type of control: ..... Electronic  
 Dimensions: ..... 382 x 594 x 318 mm  
 Cavity dimensions: ..... 230 x 350 x 270 mm  
 Length electrical supply cord: ..... 175.0 cm  
 Net weight: ..... 16.9 kg  
 Gross weight: ..... 18.7 kg  
 Max. microwave power level: ..... 900 W  
 Number of Power Levels: ..... 5  
 Turntable: ..... No  
 Cavity material: ..... Stainless steel  
 Door opening: ..... Button  
 Clock: ..... Yes  
 Height of the appliance: ..... 382 mm  
 Width of the appliance: ..... 594 mm  
 Depth of the product: ..... 318 mm  
 Max. microwave power level: ..... 900 W  
 Connection rating: ..... 1220 W  
 Fuse protection: ..... 10 A  
 Voltage: ..... 220-240 V  
 Frequency: ..... 50; 60 Hz  
 Plug type: ..... Gardy plug w/ earthing  
 Required cutout/niche size for installation (in): ..... x  
 Dimensions of the packed product: ..... 18.50 x 18.11 x 26.37  
 Net weight: ..... 37.000 lbs  
 Gross weight: ..... 41.000 lbs



## Series 8, Built-In Microwave, Black BFL7221B1

---

### **Microwave and heating mode:**

- Max. Power: 900 W; 5 Microwave power settings: 90 W, 180 W, 360 W, 600 W, 900 W
- Intelligent inverter technology: maximum output power will be regulated to 600 W when used in longer operation

### **Design:**

- stainless steel cavity with glass bottom
- Touch control
- Touch key operation

### **Cleaning:**

- Hydro Clean

### **Comfort:**

- electronic clock
- User-friendly electronics: extremely
- easy and comfortable operation
- AutoPilot 7
- 3 defrost and 4 cooking programmes in microwave function
- LED light
- Cavity volume: 21 l
- side opening door, hinge left

### **Environment and Safety:**

- Start-/Stop button
- Door contact switch
- Integral cooling fan

### **Technical Information**

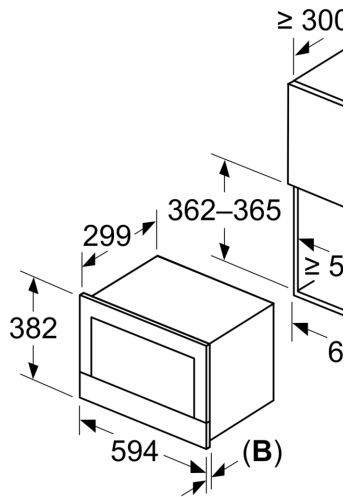
- Length of mains cable: 175 cm
- Total connected load electric: 1.22 KW
- Nominal voltage: 220 - 240 V
- Suitable for high cupboard installation, Can be built in a 60 cm wall cupboard (at least 30cm deep)

### **Dimensions:**

- Appliance dimension (hxwxd): 382 mm x 594 mm x 318 mm
- Niche dimension (hxwxd): 362 mm - 382 mm x 560 mm - 568 mm x 300 mm
- "Please reference the built-in dimensions provided in the installation drawing"

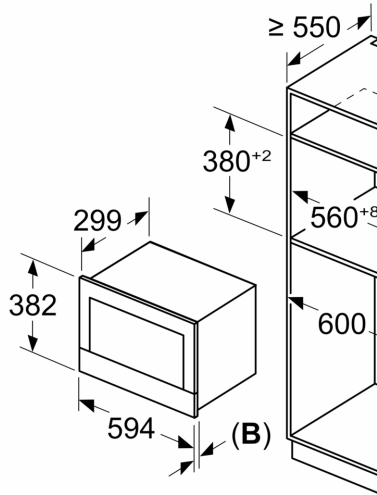
**Series 8, Built-In Microwave, Black**  
**BFL7221B1**

Measurements in mm



**A:** Back wall open  
**B:** 19.5 mm

Measurements in mm



**A:** Back wall open  
**B:** 19.5 mm

