

**Series 4, Built-In Microwave, 59 x 38 cm, Black
BFL553MB0B**



HEZ86D000 Steamer Cooker Accessory for Microwave

- **AutoPilot 7:** every dish is a perfect success thanks to 7 pre-set automatic programmes.
- **LED-display control, red:** easy-to-use thanks to the time functions.
- **Pop-out controls:** for an easy to clean front.
- **Stainless steel interior:** easy to clean interior thanks to smooth surfaces and no sharp edges.
- **Electronical door opening:** comfortable door opening just with a fingertip on the sensor button.

Additional function: Microwave only
 Type of control:Electronic
 Dimensions: 382 x 594 x 388 mm
 Cavity dimensions: 208.0 x 328.0 x 369.0 mm
 Length electrical supply cord: 130.0 cm
 Net weight: 18.0 kg
 Gross weight: 21.1 kg
 Max. microwave power level: 900 W
 Number of Power Levels: 5
 Turntable: Yes
 Cavity material: Stainless steel
 Door opening: Button
 Clock: Yes
 Height of the appliance: 382 mm
 Width of the appliance: 594 mm
 Depth of the product: 388 mm
 Max. microwave power level: 900 W
 Connection rating: 1450 W
 Fuse protection: 10 A
 Voltage: 230-240 V
 Frequency: 50 Hz
 Plug type: GB plug
 Required cutout/niche size for installation (in): x
 Dimensions of the packed product: 17.71 x 17.71 x 25.98
 Net weight: 40.000 lbs
 Gross weight: 47.000 lbs



Series 4, Built-In Microwave, 59 x 38 cm, Black BFL553MB0B

Microwave and heating mode:

- Max. Power: 900 W; 5 Microwave power settings: 90 W, 180 W, 360 W, 600 W, 900 W
- Cavity volume: 25 l

Design:

- stainless steel cavity

Comfort:

- LED display control
- electronic clock
- Rotary Control, Pop-out controls, Touch control
- User-friendly electronics: extremely
- easy and comfortable operation
- AutoPilot 7
- 4 defrost and 3 cooking programmes in microwave function
- LED light
- side opening door, hinge left
- Electronic door opener
- Touch key operation

Environment and Safety:

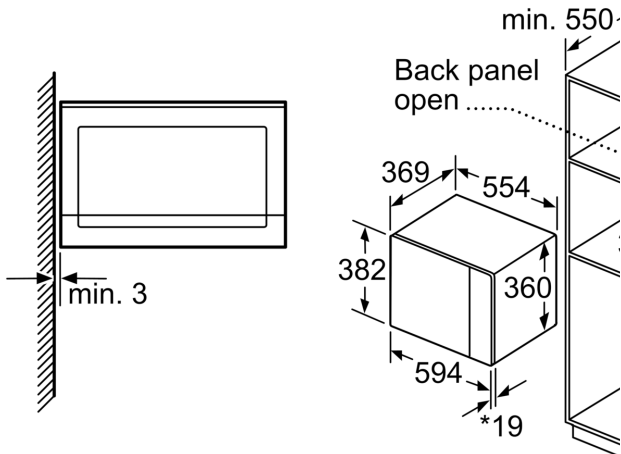
- Automatic switch off
- Door contact switch
- Integral cooling fan
- Length of mains cable: 130 cm
- Total connected load electric: 1.45 KW
- Nominal voltage: 230 - 240 V
- Suitable for high cupboard installation

Dimensions:

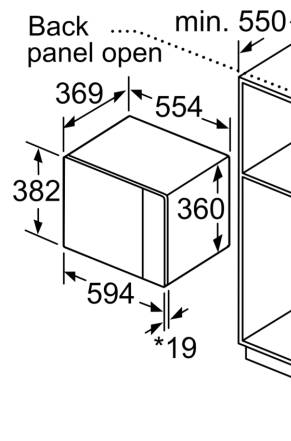
- Appliance dimension (hxwxd): 382 mm x 594 mm x 388 mm
- Niche dimension (hxwxd): 380 mm - 382 mm x 560 mm - 568 mm x 550 mm
- "Please reference the built-in dimensions provided in the installation drawing"

Series 4, Built-In Microwave, 59 x 38 cm, Black
BFL553MB0B

Microwave,
 corner installation



* 20 mm for metal fascia



* 20 mm for metal fas

