

Series 8, Built-In Microwave, Stainless steel BEL634GS1



1 x grid, 1 x Glass tray

HEZ6TCC0 Cookbook
HEZG9AS00S Adapter

- **AutoPilot 10:** every dish is a perfect success thanks to 10 pre-set automatic programmes.
- **TFT Touch Display:** easy-to-use thanks to the Control Ring with clear text and symbols.
- **Stainless steel interior:** easy to clean interior thanks to smooth surfaces and no sharp edges.
- **Electronical door opening:** comfortable door opening just with a fingertip on the sensor button.

Additional function:Grill function
 Type of control:Electronic
 Dimensions: 382 x 594 x 318 mm
 Cavity dimensions: 220 x 350 x 270 mm
 Length electrical supply cord: 150.0 cm
 Net weight: 18.7 kg
 Gross weight: 20.9 kg
 Max. microwave power level: 900 W
 Number of Power Levels: 5
 Turntable: No
 Cavity material: Stainless steel
 Door opening: Button
 Clock: Yes
 Included accessories: 1 x grid, 1 x Glass tray
 Height of the appliance: 382 mm
 Width of the appliance: 594 mm
 Depth of the product: 318 mm
 Max. microwave power level: 900 W
 Connection rating: 1990 W
 Fuse protection: 10 A
 Voltage: 220-240 V
 Frequency: 50; 60 Hz
 Plug type: GARDY plug w/ earthing
 Required cutout/niche size for installation (in): x
 Dimensions of the packed product: 18.50 x 18.11 x 26.37
 Net weight: 41.000 lbs
 Gross weight: 46.000 lbs



Series 8, Built-In Microwave, Stainless steel BEL634GS1

Microwave and heating mode:

- Max. Power: 900 W; 5 Microwave power settings: 90 W, 180 W, 360 W, 600 W, 900 W
- Intelligent inverter technology: maximum output power will be regulated to 600 W when used in longer operation
- Grill 1.3 KW
- Grill and microwave power levels 90 W, 180 W, 360 W combinable
- Microwave and grill for separate use
- Cavity volume: 21 l

Design:

- stainless steel cavity with glass bottom

Comfort:

- electronic clock
- Rotary swivel, Touch control
- User-friendly electronics: extremely
- easy and comfortable operation
- AutoPilot 10
- LED light
- side opening door, hinge left
- Electronic door opener
- Touch key operation

Accessory:

- Glass tray, grid

Environment and Safety:

- Start-/Stop button
- Integral cooling fan

Technical Information

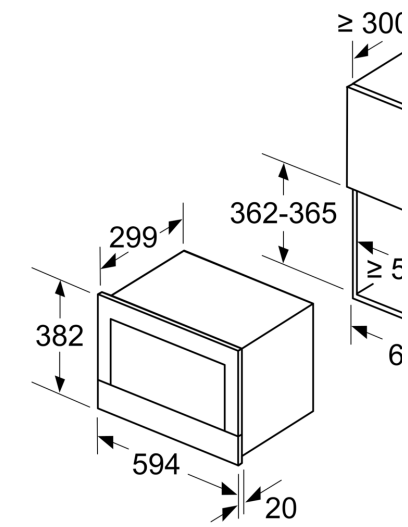
- Length of mains cable: 150 cm
- Total connected load electric: 1.99 KW
- Nominal voltage: 220 - 240 V
- Suitable for high cupboard installation, Can be built in a 60 cm wall cupboard (at least 30cm deep)

Dimensions:

- Appliance dimension (hxwxh): 382 mm x 594 mm x 318 mm
- Niche dimension (hxwxh): 362 mm - 382 mm x 560 mm - 568 mm x 300 mm
- "Please reference the built-in dimensions provided in the installation drawing"

**Series 8, Built-In Microwave,
Stainless steel
BEL634GS1**

measurements in mm



A: Back panel open

