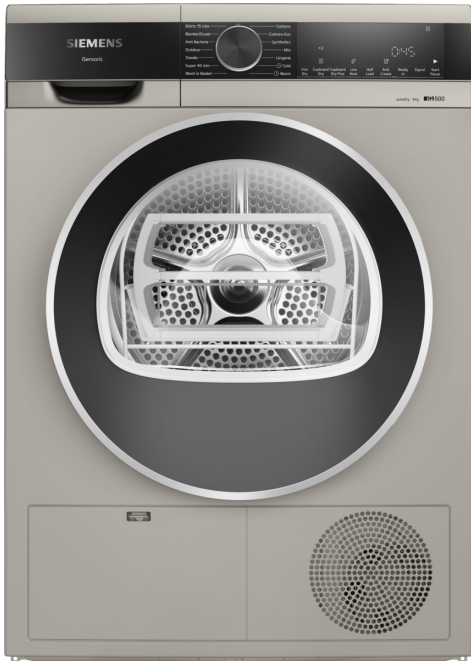


**iQ500, condenser tumble dryer, 9 kg, Silver inox WP41G208IN**



- ✓ simpleTouch LED display: Shows all relevant information clearly and is easy to use
- ✓ For gentle, precise drying that protects clothes – autoDry technology
- ✓ Gently and perfectly dried functional clothes - Outdoor.
- ✓ easyClean filter: Easy to keep clean
- ✓ Super40: Fast and careful drying of small loads

Built-in / Free-standing: ..... Freestanding  
 Removable top: ..... No  
 Door hinge: ..... Right  
 Color / Material body: ..... Silver inox  
 Length electrical supply cord: ..... 145.0 cm  
 Dimensions: ..... 842 x 598 x 613 mm  
 Net weight: ..... 42.8 kg  
 Drum volume: ..... 112 l  
 Connection Rating: ..... 2800 W  
 Fuse protection: ..... 13/10 A  
 Voltage: ..... 220-240 V  
 Frequency: ..... 50 Hz  
 Drying process: ..... automatic  
 Capacity: ..... 9.0 kg  
 Energy efficiency rating: ..... C  
 Power consumption in off-mode - NEW (2010/30/EC): ..... 0.15 W  
 Power consumption in left-on mode - NEW (2010/30/EC): ..... 0.50 W  
 Condensation efficiency class - NEW (2010/30/EC): ..... B



WZ11410	Stacking kit
WZ20160	Condenser drainage kit
WZ20400	Stacking kit with pull-out shelf
WZ20600	Wool in basket - accessory
WZDP20D	Platform with pull-out, dryer, cubic

## iQ500, condenser tumble dryer, 9 kg, Silver inox WP41G208IN

- WP41G208IN
- 9 kg, Condensation dryer, silver inox
- Consumption: energy 1.01 kWh; water 47 l
- speedPerfect
- Reload function

### Design

#### Programmes

- Special programmes: Shirts (Business), Duvet, Pillow (Down), Outdoor, Towels, Hygiene, Super 40', Mixed Fabric, Woolen (Finish), Lingerie

#### Performance

- Anti crease cycle 120 minutes at the end of the programme
- Touch control buttons: start/pause, less ironing, options, drying aim, Memory 1, Memory 2, base settings, ecoperfect, speedperfect, 24 h end time delay

#### Key features

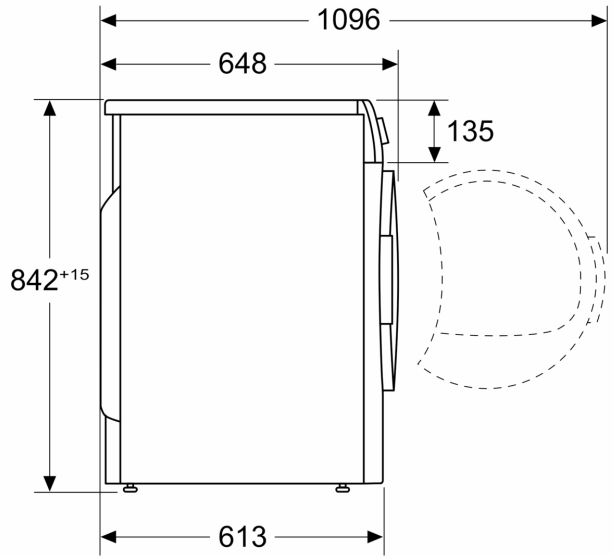
- Duo-Tronic Sensors monitors moisture levels and temperature to reach desired levels of dryness and to prevent overheating
- Fully electronic control dial for sensor drying, including timed and special programmes
- LED Display for remaining time and 24 hours time delay, programme status indication, special functions
- softDrum system: stainless steel drum with textile care structure, soft design paddles
- Wool drying basket
- Anti-Vibration Design: More stability and quietness
- Drum interior light
- Child-proof lock
- Buzzer at the end of the wash programme
- Reload Function
- Time delay to select end of time of your wash (1-24 hours) and time remaining indicator
- Door hinge: Right-hand, Reversible

#### Technical Information

- Noise level washing: 54 dB; Noise level spinning: 74 dB
- Dimensions (H X W X D): 84.2 x 59.8 x 61.3 cm

**iQ500, condenser tumble dryer, 9  
kg, Silver inox  
WP41G208IN**

Measurements in mm



Measurements in mm

