

**iQ500, washer dryer, 9/6 kg, 1400 rpm  
WN44A100IN**



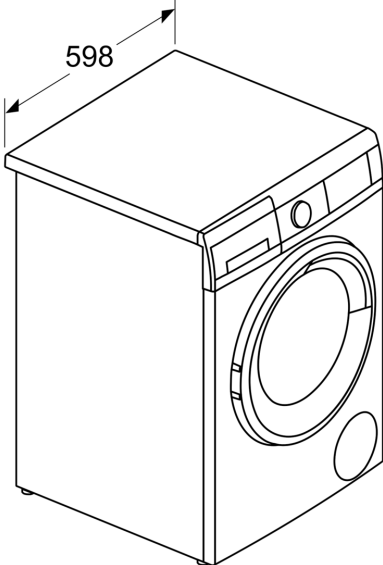
- ✓ iQdrive - Efficient, durable and quiet.
- ✓ Wash & Dry 45/60: Fast, efficient washing and drying in just 45 or 60 minutes.
- ✓ The most efficient use of water with any load level - waterPerfect Plus
- ✓ Anti-Vibration Side Panels reduce vibrations and ensure greater stability during the washing and spinning process.
- ✓ HygieneCare Wash Program with hot air pretreatment for increased hygiene standards

Maximum capacity in kg in a Wash/Dry cycle (EU 2017/1369): 6.0  
 Maximum capacity in kg in a wash cycle (EU 2017/1369): ..... 9.0  
 Built-in / Free-standing: ..... Freestanding  
 Removable top: ..... No  
 Door hinge: ..... left  
 Length electrical supply cord: ..... 160.0 cm  
 Dimensions of the product: ..... 848 x 598 x 590 mm  
 Net weight: ..... 71.2 kg  
 Drum volume: ..... 60 l  
 Connection Rating: ..... 1900 W  
 Fuse protection: ..... 10 A  
 Voltage: ..... 220-240 V  
 Frequency: ..... 50 Hz



**iQ500, washer dryer, 9/6 kg, 1400 rpm**  
**WN44A100IN**

measurements in mm



measurements in mm

